

Features

- Brass construction
- Available with lever handle
- Front seal plate assembly
- Handle assembly
- Complements Antique™ Suite

THERMOSTATIC FAUCET TRIM

K-T10110

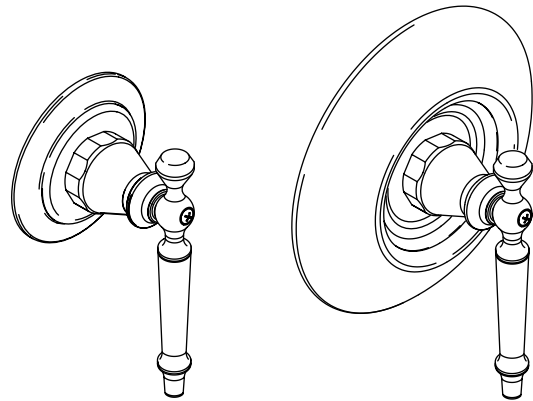
ALSO K-T10111, K-T10113

ADA

Codes/Standards Applicable

Specified model meets or exceeds the following:

- ASME A112.18.1
- CSA B125
- IAPMO/UPC
- ADA



Colors/Finishes

- CP: Polished Chrome
- PB: Polished Brass
- Other: Refer to Price Book for additional colors/finishes
- NA: None applicable

Specified Model

For complete valve, both faucet trim and valving must be specified.				
Model	Description	Colors/Finishes		
K-T10110-4	Thermostatic valve trim	<input type="checkbox"/> CP	<input type="checkbox"/> PB	<input type="checkbox"/> Other ____
K-T10111-4	Volume control trim	<input type="checkbox"/> CP	<input type="checkbox"/> PB	<input type="checkbox"/> Other ____
K-T10113-4	Transfer valve trim	<input type="checkbox"/> CP	<input type="checkbox"/> PB	<input type="checkbox"/> Other ____

Required Accessories		
K-669-KS	3/4" Thermostatic valve	<input type="checkbox"/> NA
K-671-K	3/4" Volume control	<input type="checkbox"/> NA
K-672-K	3/4" Transfer valve	<input type="checkbox"/> NA
K-679-KS	1/2" Thermostatic valve	<input type="checkbox"/> NA
K-681-K	1/2" Volume control	<input type="checkbox"/> NA
K-10140	Ceramic dial faceplate for K-T10110	<input type="checkbox"/> Other ____

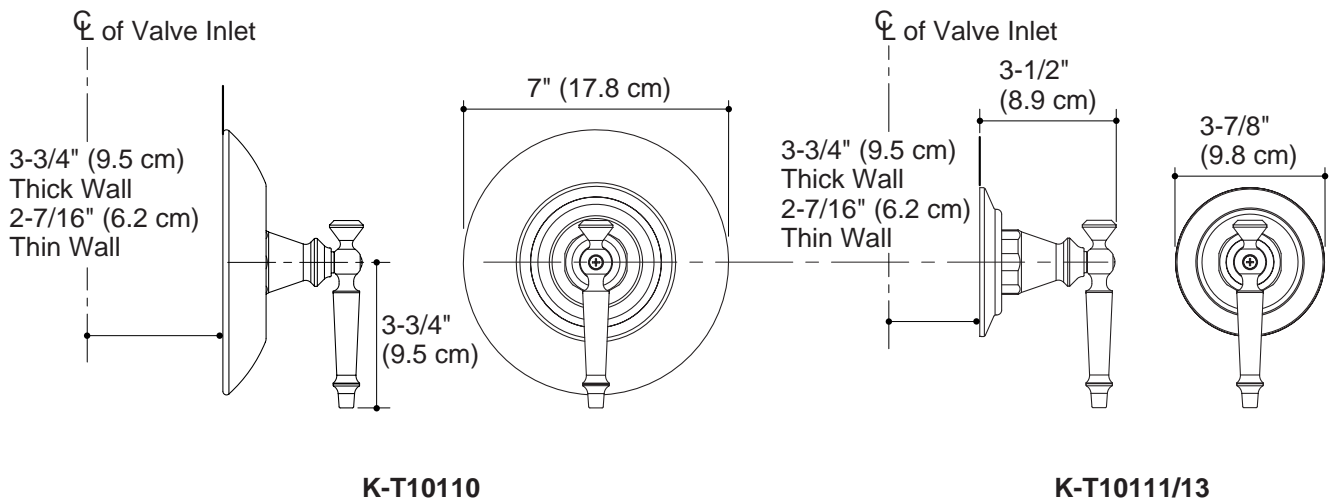
Product Specification

Thermostatic faucet trim shall be of brass construction. Thermostatic faucet trim shall include front seal plate assembly and handle assembly. Product shall be available with lever handle. Trim shall complement the Antique™ Suite. Thermostatic faucet trim shall be Kohler Model K-T____-____-____, thermostatic valving shall be Kohler Model K-____-____-NA, and ceramic dial faceplate for Kohler Model K-T10110 shall be K-10140.

ANTIQUE™

Installation Notes

Install this product according to the installation guide.



Product Diagram