

Features

- Brass construction
- Available with cross or lever handles
- Front seal plate assembly
- Complements Pinstripe™ Suite
- Intended for use with Kohler valves

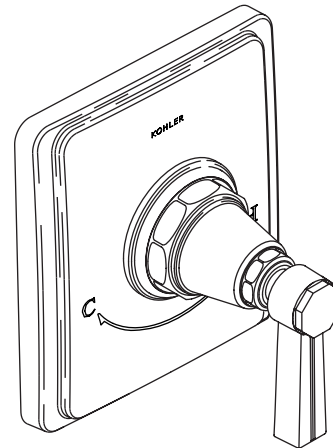
THERMOSTATIC FAUCET TRIM
K-T13173
ALSO K-T13174, K-T13175

ADA

Codes/Standards Applicable

Specified model meets or exceeds the following:

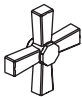
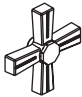


- ASME A112.18.1/CSA B125.1
- IAPMO/cUPC
- ADA



Colors/Finishes

- CP: Polished Chrome
- Other: Refer to Price Book for additional colors/finishes

Specified Model

Model	Description				Colors/Finishes	
	 ADA	 ADA	 ADA	 ADA		
K-T13173-*	Plain cross handles (3A)	Grooved cross handles (3B)	Plain lever handles (4A)	Grooved lever handles (4B)	<input type="checkbox"/> CP	<input type="checkbox"/> Other _____
K-T13174-*	Thermostatic trim				<input type="checkbox"/> CP	<input type="checkbox"/> Other _____
K-T13175-*	Volume control trim				<input type="checkbox"/> CP	<input type="checkbox"/> Other _____
	Transfer valve trim				<input type="checkbox"/> CP	<input type="checkbox"/> Other _____

* Handle type must be specified when ordering.

Required Valve		
K-669-KS	3/4" thermostatic valve	<input type="checkbox"/> NA
K-671-K	3/4" volume control valve	<input type="checkbox"/> NA
K-672-K	3/4" transfer valve	<input type="checkbox"/> NA
K-679-KS	1/2" thermostatic valve	<input type="checkbox"/> NA
K-681-K	1/2" volume control valve	<input type="checkbox"/> NA

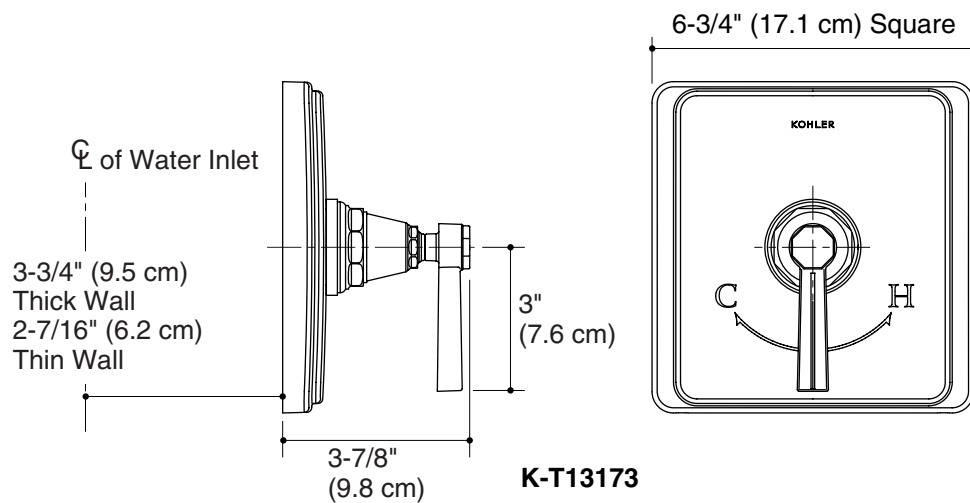
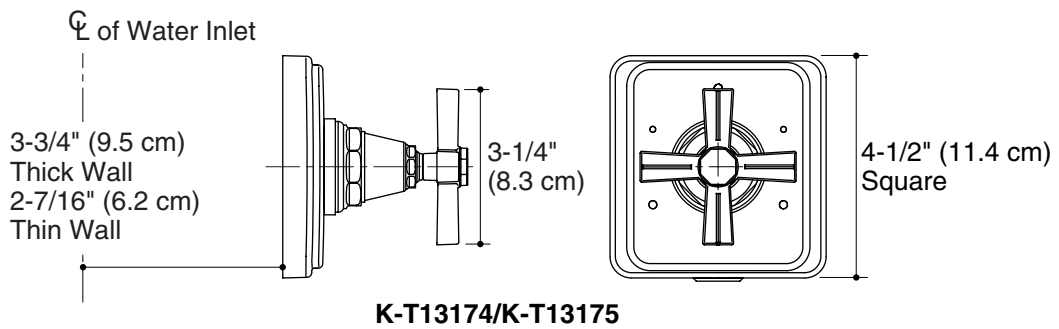
Product Specification

Thermostatic faucet trim shall be of brass construction. Trim shall include front seal plate assembly. Product shall be available with cross or lever handle. Trim shall complement the Pinstripe Suite. Faucet trim shall be Kohler Model K-T____-____-____ and required valving shall be K-____-____-NA.

PINSTRIPE™

Installation Notes

Install this product according to the installation guide.



Product Diagram

PINSTRIPE™ THERMOSTATIC FAUCET TRIM

Page 2 of 2
1068011-4-A

THE BOLD LOOK
OF **KOHLER**®