

Ordering Information

Accessories/hardware:		
Alcove receptor, RH	K-1016-H2	required
Alcove receptor, LH	K-1015-H2	
Alcove receptor, RH	K-1036	
Alcove receptor, LH	K-1035	
Alcove receptor, RH	K-1046	
Alcove receptor, LH	K-1045	

Product Information

Fixture:	
Weight	150 lbs. (68kg)
Glass, tempered safety	clear

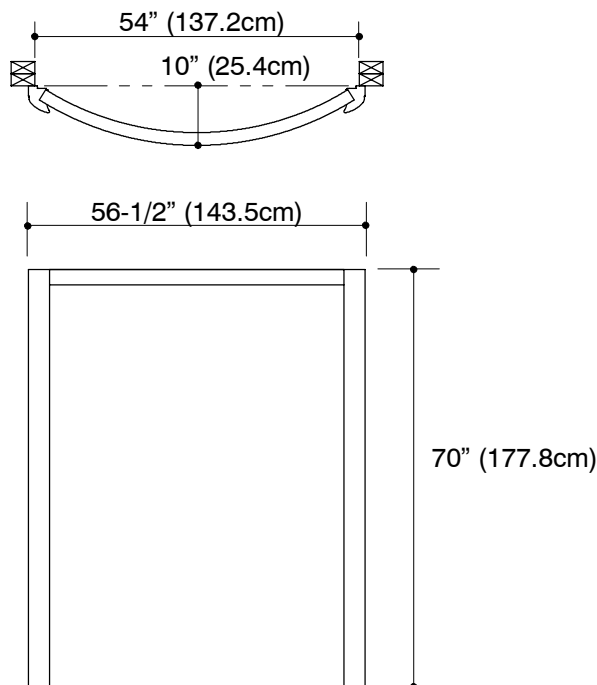
Installation Notes

Refer to installation instructions included with fixture before beginning installation.

Allow 83-1/2" (212.1cm) to 84" (213.4cm) from sub-floor to finished ceiling or header for proper enclosure installation.

Top of unit must be enclosed to retain heat and contain water spray.

The BodySpa is not designed for steam applications, and may not perform satisfactorily as a steam unit.



Roughing-In Notes

Glass conforms to ANSI Z97.1.

Leave studs exposed. Shower enclosure wall jambs must be installed directly to studs.