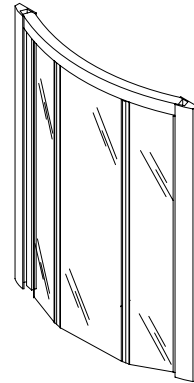


FEATURES

- With crystal clear curved glass panels
- Order one Tower, Bath/Footbath, and Enclosure for each complete BodySpa installation



CODES/STANDARDS APPLICABLE

Specified model meets or exceeds the following:

- Tempered glass complies with ANSI Z97.1

COLORS/FINISHES

- SS Satin Silver
- SB Satin Brass
- 0 White

Accessories:

- 0 White
- Other Refer to Fixtures Price Book for additional colors
- CP Polished Chrome
- PB Polished Brass

SPECIFIED MODEL:

Model	Description	Colors/Finishes		
K-5161-L	Alcove enclosure	<input type="checkbox"/> SS	<input type="checkbox"/> SB	<input type="checkbox"/> 0 White

Required Accessories				
K-1000	10-Jet Tower OR	<input type="checkbox"/> CP	<input type="checkbox"/> PB	<input type="checkbox"/> Other_____
K-1030	8-Jet Tower OR	<input type="checkbox"/> CP	<input type="checkbox"/> PB	<input type="checkbox"/> Other_____
K-1040-CP	6-Jet Tower with Polished Chrome trim OR	<input type="checkbox"/> 0 White		<input type="checkbox"/> Other_____
K-1040-PB	6-Jet Tower with Polished Brass trim	<input type="checkbox"/> 0 White		<input type="checkbox"/> Other_____
K-1015	Alcove footbath (for 10-jet tower), LH OR	<input type="checkbox"/> 0 White		<input type="checkbox"/> Other_____
K-1016	Alcove footbath (for 10-jet tower), RH OR	<input type="checkbox"/> 0 White		<input type="checkbox"/> Other_____
K-1035	Alcove footbath (for 8-jet tower), LH OR	<input type="checkbox"/> 0 White		<input type="checkbox"/> Other_____
K-1036	Alcove footbath (for 8-jet tower), RH OR	<input type="checkbox"/> 0 White		<input type="checkbox"/> Other_____
K-1045	Alcove footbath (for 6-jet tower), LH OR	<input type="checkbox"/> 0 White		<input type="checkbox"/> Other_____
K-1046	Alcove footbath (for 6-jet tower), RH	<input type="checkbox"/> 0 White		<input type="checkbox"/> Other_____

PRODUCT SPECIFICATION:

The alcove enclosure shall have crystal clear glass panels. Enclosure shall be configured with BodySpa Tower, and BodySpa Footbath. Enclosure shall be Kohler Model K-5161-L-_____.

BODYSPA

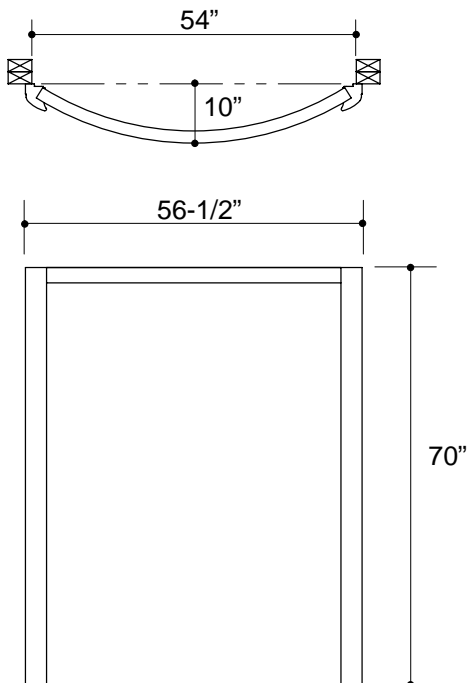
PRODUCT INFORMATION

Fixture:	
Weight	150 lbs.
Glass, tempered safety	clear

INSTALLATION NOTES

Allow 83-1/2" to 84" from sub-floor to finished ceiling or header for proper enclosure installation.

Top of unit must be enclosed to retain heat and contain water spray.



Roughing-In Notes

Leave studs exposed. Shower enclosure wall jambs must be installed directly to studs.

132

PRODUCT DIAGRAM