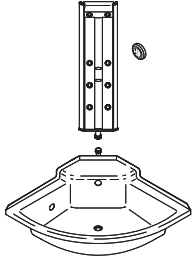


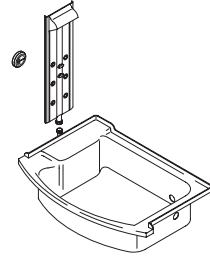
Homeowners Guide

8-Jet Personal Hydro-Massage System

K-1030, K-1025-H2



K-1030, K-1035-H2, K-1036-H2



M product numbers are for Mexico (i.e. K-12345**M**)
Los números de productos seguidos de **M** corresponden a México
(Ej. K-12345**M**)
Français, page “Français-1”
Español, página “Español-1”

THE BOLD LOOK
OF **KOHLER**

Important Information

INSTRUCTIONS PERTAINING TO A RISK OF FIRE, ELECTRICAL SHOCK, OR INJURY TO PERSONS READ AND FOLLOW ALL INSTRUCTIONS



WARNING: When using electrical products, basic precautions should always be followed, including the following:



DANGER: Risk of personal injury. To reduce the risk of injury, do not permit children to use this product unless they are closely supervised at all times



WARNING: Risk of personal injury. To avoid injury, exercise care when entering or exiting the unit.



WARNING: Risk of electric shock. Do not permit electric appliances (such as a hair dryer, lamp, telephone, radio, or television) within the enclosure.



WARNING: Risk of hyperthermia. People using medications and/or having an adverse medical history should consult a physician before using this product.

Use this product only for its intended purpose as described in this manual. Do not use attachments not recommended by the manufacturer.

Never drop or insert any object into any opening.

Do not operate this product without the guard (cover) over the suction fitting.

This installation must have two Class A Ground-Fault Circuit-Interrupters (GFCIs) or Earth-Leakage Circuit-Breakers (ELCBs). The GFCIs or ELCBs protect against line-to-ground shock hazard. **Use two 220/240 V, 20 A, 50/60 Hz dedicated services; one for the pumps and controls, and another for the heater.** Such a GFCI or ELCB should be provided by the installer and should be tested on a routine basis.

To test the GFCI or ELCB, press the test button. The GFCI or ELCB should interrupt power. Press the reset button. Power should be restored.

If the GFCI or ELCB fails to operate in this manner, the GFCI or ELCB is defective. If the GFCI or ELCB interrupts power to the bath without the test button being pressed, a ground current is flowing, indicating the possibility of an electric shock. **Do not use.**

Disconnect the product and have the problem corrected by a qualified service representative before using.

SAVE THESE INSTRUCTIONS



WARNING: The use of alcohol, drugs, or medication can greatly increase the risk of fatal hyperthermia. Prolonged immersion in hot water may induce hyperthermia. Hyperthermia occurs when the internal temperature of the body reaches a level several degrees above the normal body temperature of 98.6° F (37° C). The symptoms of hyperthermia include an increase in the internal temperature of the body, dizziness, lethargy, drowsiness, and fainting. The effects of hyperthermia include: (a) failure to perceive heat, (b) failure to recognize the need to exit the bath, (c) unawareness of impending hazard, (d) fetal damage in pregnant women, (e) physical inability to exit the bath, and (f) unconsciousness resulting in the danger of drowning.

A pressure wire connector is provided within this unit to permit connection of a bonding conductor between this product and all other exposed metal in the vicinity, as needed to comply with local requirements.

IMPORTANT! Flush the system twice a month or more depending upon usage, as described in the Care and Cleaning instructions in this manual.

Do not allow the water temperature in the product to exceed 104°F (40°C).

Keep small objects such as bath toys and bathing accessories out of the product while the unit is running.

Important Information (cont.)

Do not use shampoo, soap or bubble bath in the product water. You can freely use shampoo and soap for showering before you fill the footbath basin.

This product has been listed by Underwriter's Laboratories, thus ensuring safety for you and your family. This product also conforms to rigid ANSI and IAPMO standards set with the plumbing industry.

Table of Contents

| | |
|--|----|
| Important Information | 2 |
| Thank You For Choosing Kohler Company | 3 |
| Your Hydro-Massage System | 3 |
| Your Hydro-Massage System Features | 4 |
| Before Operating | 4 |
| Using the Control Keypad | 6 |
| Using the Remote | 7 |
| FCC Compliance | 7 |
| Care and Cleaning | 8 |
| Cleaning the Exterior Surfaces | 8 |
| Cleaning the Walls and Basin | 8 |
| Cleaning the Door | 8 |
| One-Year Limited Warranty — USA and Canada | 8 |
| One-Year Warranty - Mexico | 9 |
| Troubleshooting | 10 |
| Troubleshooting Guide | 10 |
| Service Parts | 12 |

Thank You For Choosing Kohler Company

Thank you for choosing The Bold Look of Kohler. Kohler craftsmanship offers you a rare combination of proven performance and graceful sophistication that will satisfy you for years to come. The dependability and beauty of your new hydro-massage system will surpass your highest expectations. We're proud of our products here at Kohler, and we know you will be too.

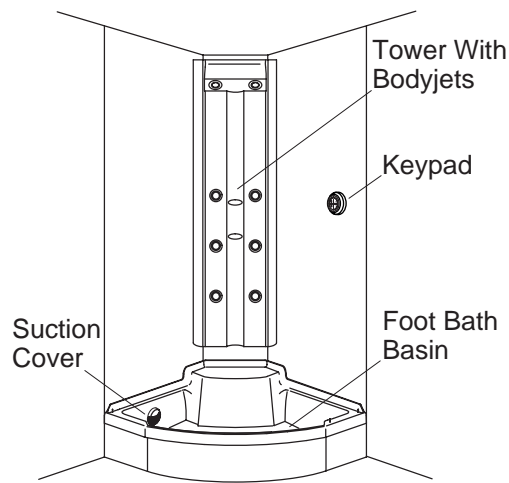
Please take a few minutes to study this Homeowners Guide before you use this product. Pay special attention to the Care and Cleaning instructions in this manual.

All information in this manual is based upon the latest product information available at the time of publication. At Kohler, we constantly strive to improve the quality of our products. We reserve the right to make changes in product characteristics, packaging, or availability at any time without notice.

Your Hydro-Massage System

Your Kohler personal hydro-massage system is the ultimate custom hydro-massage system. The exhilarating spray will stimulate, invigorate and energize your body.

The quiet but powerful pump and motor deliver up to 80 gallons (303 L) of water each minute. The system recirculates water up to two times per minute. A heater helps maintain the proper water temperature to enhance your ultimate bathing experience.



Your Hydro-Massage System Features

- **User Keypad** - Located within easy reach, the keypad allows you to turn the hydro-massage system, and heater on and off and regulate the water flow through the jets.
- **Pump Motor** - Provides quiet, variable speed power to circulate the water and create the hydro-massage action.
- **Bodyjet valves** - Conveniently located on the face of the tower to offer quick, easy control over your hydro-massage. The top bodyjet valve opens and closes the center array of two bodyjets. The bottom valve controls the bottom set of four bodyjets. Open or close these valves to customize your hydro-massage needs.
- **Heater** - Automatically helps to maintain the temperature of the water up to 104°F (40°C) to enhance your hydro-massage experience. The heater turns on automatically when the hydro-massage system is operating, and turns off when the pump motor is turned off. The heater may be turned off, through the keypad, at any time while the pump is operating.

Before Operating

Please read and follow these steps carefully so you can safely enjoy the benefits of hydro-massage bathing.

Before Turning the Hydro-Massage System On:

- Remove all loose bathing items, such as soap bars, shampoo bottles and washcloths from the direct water path.
- Remove your eyeglasses or contact lenses and any loose jewelry before entering the hydro-massage room.
- Don't use shampoo, soap or bubble bath in the water. You can freely use shampoo and soap for showering before you fill the footbath basin.
- Fill the footbath basin with tempered water to a level at least 3" (7.6cm) above the top of the suction cover.
- Close the enclosure door securely.
- Use your hand to check the water temperature in the basin before you start the hydro-massage system. Never fill the footbath with water that is above 104° F (40° C).

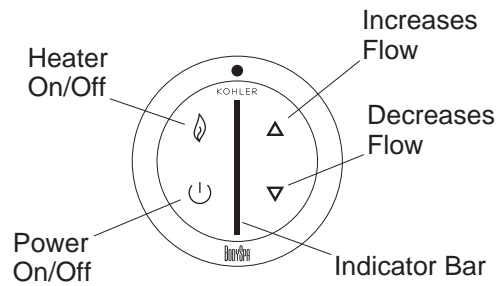
When Using the Hydro-Massage System:

 **WARNING: Risk of personal injury.** Always stand off to the side of the bodyjets when you turn on the hydro-massage system. The stream of water can be very powerful.

- Close the door securely.
- Press the power icon on the user keypad to turn on the hydro-massage system.

Before Operating (cont.)

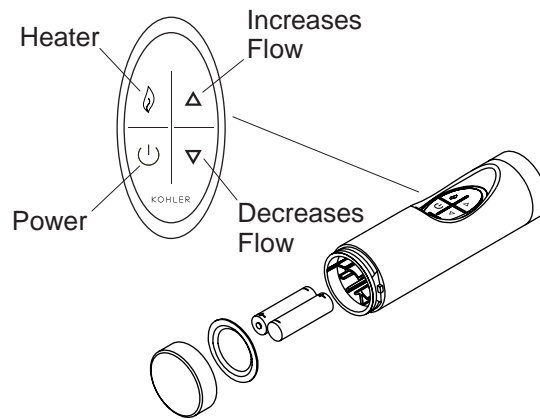
- At start-up, the system defaults to the lowest water pressure settings.
- After you press the power icon, it will take several seconds for the water to begin flowing. Let the water flow for several seconds before you enter to allow the temperature to moderate.
- Increase the water flow gradually until you get used to the intensity.
- The hydro-massage system will automatically shut off after 20 minutes of continuous use.
- If you wish to use the hydro-massage system after it has automatically shut down, simply step to the side and press the power icon on the keypad to restart the system.
- If you feel faint, dizzy or light-headed at any time while using your hydro-massage system, immediately step out of the stream of water, turn off the unit by pressing the power key, and exit the enclosure.



Lighted User Keypad

Using the Control Keypad

- **Power On/Off** - Turns the power to the keypad, the hydro-massage system pump, and the heater on and off.
- **Up Arrow** - Increases the water flow of the bodyjets.
- **Down Arrow** - Decreases the water flow of the bodyjets.
- **Heater On/Off** - The heater automatically engages when the pump is turned on. Press the heater icon to turn the heater off. Press the icon again to turn the heater back on. The heater will help maintain the water temperature up to 104° F (40° C).
- **Indicator Bar** - Shows the water flow volume in the various modes.



Using the Remote

- The remote control places the user keypad functions at your fingertips to further enhance your hydro-massage experience. The functions of the remote are identical to the user keypad. You may turn the system on and off, turn the heater on and off, and increase or decrease the flow from the bodyjets.
- The waterproof remote control is designed to be used in the bath and will float in the water.
- Two AAA batteries are used in the remote control. To replace, simply unscrew the end cap and insert the batteries, as shown above. Tighten the end cap securely, making sure the end cap makes contact with the seal.

Programming the Remote

NOTE: Programming of the remote control is normally not required. If more than one device in your home or in the near vicinity of your home uses a remote control, it may be necessary to program this remote control to the user keypad. If you replace your remote control, or replace the pump control, it may be necessary to program the remote control.

- Turn the hydro-massage system power on.
- Turn off all modes of operation. Wait approximately one minute until the keypad darkens completely (sleep mode).
- On the user keypad, press the up arrow, down arrow and the heater button simultaneously. The bottom LED, on the keypad's indicator bar, will begin flashing.
- While the LED is flashing, press the heater button on the keypad. A light sequence will illuminate up and down the indicator bar.
- While the indicator bar light sequence is active, press any button on the remote control. The program will download and the user keypad will darken. The user keypad will now respond only to this remote control.

FCC Compliance

FCC ID : N82-KOHLER001

Canada ID : 4554A-KOHLER001

Compliance Statement (Part 15.19)

This device complies with Part 15 of the FCC Rules and with RSS-210 of Industry Canada. Operation is subject to the following two conditions:

1. This device may not cause harmful interference, and:
2. This device must accept any interference received, including interference that may cause undesired operation.

FCC Compliance (cont.)

Warning (Part 15.21)

Changes or modifications not expressly approved by the party responsible for compliance could void the users authority to operate the equipment.

Care and Cleaning

Flushing Your Hydro-Massage System

Sanitize your hydro-massage system by flushing it twice a month or more, depending upon usage. To do this:

- Fill the footbath basin with hot water to a level 3" (7.6cm) above the top of the suction cover.
- Add two teaspoons of low-foaming dishwasher detergent and 1/2 cup (115ml) of household bleach to the water.
- Run the hydro-massage system for 5 to 10 minutes with all eight bodyjets running at the same time. Turn off the system and drain the water.
- Fill the footbath basin with cold water to a level 3" (7.6cm) above the top of the suction cover. Run the hydro-massage system for an additional 5 to 10 minutes with all eight bodyjets running. Drain the basin and wipe dry with a clean, soft cloth.

Cleaning the Exterior Surfaces

- Use mild soap and water to clean the unit. Wipe the entire surface dry with a clean, soft cloth. Many cleaners contain harsh chemicals, such as ammonia, which can adversely affect the finish and are not recommended.
- **Do not** use abrasive cleansers or solvents on the unit.

Cleaning the Walls and Basin

- Various wall and basin materials require different cleaners and cleaning methods. Follow the care, cleaning and maintenance instructions furnished by the wall and basin material suppliers and manufacturers.

Cleaning the Door

For Kohler Door Enclosures:

- Keep your door looking like new with a simple routine of daily care. Apply a glass cleaner with a clean sponge and immediately rinse off the area with clean water.
- Water conditions in various parts of the country will dictate any extra cleaning needed.
- Kohler does not recommend the use of harsh abrasive chemicals. Harsh cleansers will damage the metal and glass finish on your door.
- Replace the seals when they show signs of wear, yellowing or leakage. For replacement parts, please contact the dealer where you purchased the door enclosure.

For non-Kohler Door Enclosures:

- Follow the care and cleaning instructions furnished by the door enclosure manufacturer.

One-Year Limited Warranty — USA and Canada

KOHLER® plumbing fixtures, faucets and fittings are warranted to be free of defects in material and workmanship for one year from date of installation.

Kohler Co. will, at its election, repair, replace or make appropriate adjustment where Kohler Co. inspection

One-Year Limited Warranty — USA and Canada (cont.)

discloses any such defects occurring in normal usage within one year after installation. Kohler Co. is not responsible for removal or installation costs.

To obtain warranty service, contact Kohler Co. either through your Dealer, Plumbing Contractor, Home Center or E-tailer, or by writing Kohler Co., Attn.: Customer Service Department, 444 Highland Drive, Kohler, WI 53044, USA, or by calling 1-800-4-KOHLER from within the USA, 1-800-964-5590 from within Canada and 001-877-680-1310 from within Mexico.

Implied warranties including that of merchantability and fitness for a particular purpose are expressly limited in duration to the duration of this warranty, Kohler Co. disclaims any liability for special, incidental or consequential damages. Some states/provinces do not allow limitations on how long an implied warranty lasts, or the exclusion or limitation of special, incidental or consequential damages so these limitations and exclusions may not apply to you. This warranty gives you specific legal rights. You may also have other rights which vary from state/province to state/province.

This is our exclusive written warranty.

Notes:

1. There may be variation in color fidelity between catalog images and actual plumbing fixtures.
2. Kohler Co. reserves the right to make changes in product characteristics, packaging or availability at any time with out notice.

COPYRIGHT © 1999, 2000, 2001, 2002 BY KOHLER CO.

One-Year Warranty - Mexico

KOHLER CO.

It is recommended that at the time of purchase, you verify that all accessories and components are complete in this package.

This Kohler product is warranted to be free of defects in material and workmanship for one (1) year from the date of purchase as shown on the invoice or receipt.

1. Kohler Co. will only service its commercialized products through its authorized distributors.
2. To obtain warranty service, please present the invoice and corresponding warranty.
3. Through its authorized distributors, Kohler Co. promises to repair the defective product or provide a new replacement or an equivalent model (in those cases that the model has been discontinued) when the product is beyond repair, without any charge to the consumer.
4. The time of repair will not exceed six (6) weeks commencing on the date the product is received.
5. It is recommended that the consumer save the invoice or receipt as additional protection, as it may substitute the warranty in the case that there is a discrepancy in the validity of the warranty.

EXCEPTIONS AND RESTRICTIONS

The Warranty will not be valid in the following cases:

1. When the product is not operated in accordance with the instructions concerning use and operation set forth in the owner's manual or installation instructions, and when the recommendations and warnings included are not observed.
2. When the product has been modified or dismantled partially or totally; or has been used in a negligent fashion and as a consequence has suffered damages attributable to the consumer, individual, or hardware not authorized by Kohler Co.
3. This warranty does not cover the damages as a result of disaster such as fire or acts of God, including flooding, earthquake, or electric storms, etc. To obtain a list of distributors in your area where you can exercise your rights under this warranty, please call 001-877-680-1310.

KOHLER CO., KOHLER, WI 53044 U.S.A.

One-Year Warranty - Mexico (cont.)

IMPORTER:

INTERNACIONAL DE CERMICA, S.A. DE C.V.

AV. CARLOS PACHECO NO. 7200

CHIHUAHUA, CHIH., MEXICO C.P. 31060

TEL: 52 (14) 29-11-11

Troubleshooting

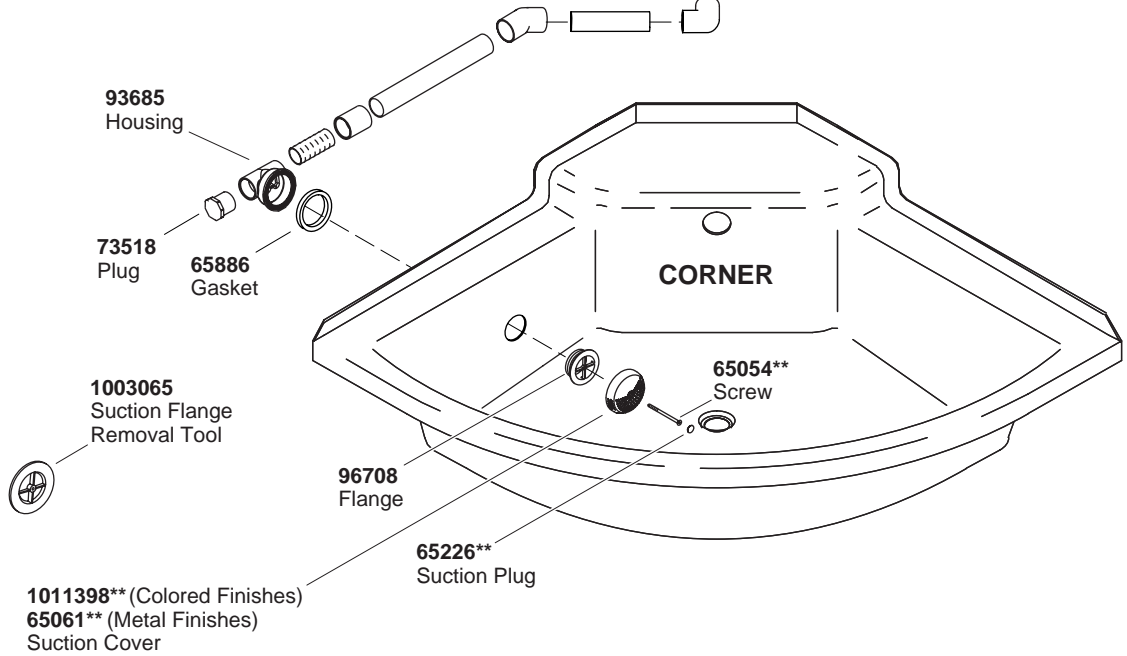
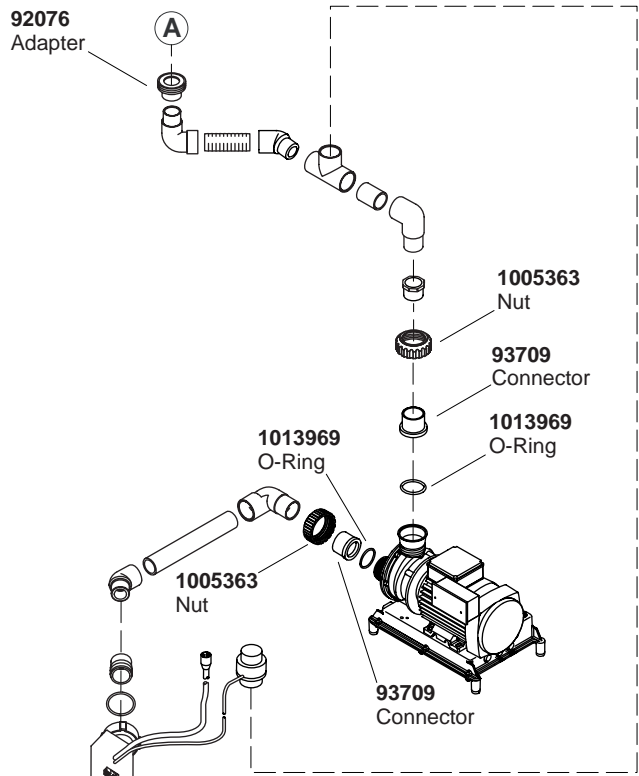
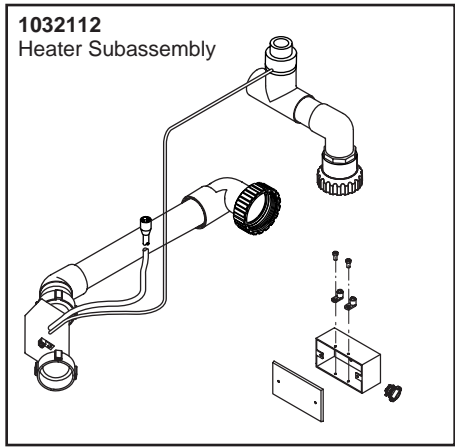
Troubleshooting Guide

This troubleshooting guide is for general aid only. A Kohler Authorized Service Representative or qualified electrician should correct any electrical problems. For warranty service, contact your dealer or wholesale distributor.

| Symptoms | Probable Causes | Recommended Action |
|--|---|---|
| 1. Unit does not start or stop. | <p>A. No power to pump/receptacle/keypad.</p> <p>B. Harness is blocked.</p> <p>C. Keypad disconnected from pump/control box.</p> <p>D. Keypad doesn't work.</p> <p>E. Not enough water in footbath basin.</p> <p>F. Motor/pump assembly does not work.</p> <p>G. Control does not work.</p> | <p>A. Set/Reset GFCI or ELCB. Check wiring. Refer to installer/dealer.</p> <p>B. Remove blockage.</p> <p>C. Reconnect keypad and/or wiring harness.</p> <p>D. Replace keypad. Refer to installer/dealer.</p> <p>E. Fill basin 3" (7.6cm) over top of suction cover.</p> <p>F. Replace motor/pump assembly. Refer to installer/dealer.</p> <p>G. Replace control. Refer to installer/dealer.</p> |
| 2. Water flow surges. | <p>A. Not enough water in footbath basin.</p> <p>B. Suction is blocked.</p> <p>C. Harness is blocked.</p> | <p>A. Fill basin 3" (7.6cm) over top of suction cover.</p> <p>B. Remove obstruction.</p> <p>C. Remove blockage.</p> |
| 3. Motor starts, all bodyjets are not functioning. | <p>A. Bodyjet is blocked.</p> <p>B. Bodyjet wiring loose or damaged.</p> <p>C. Not enough water in footbath basin (pump cavitates).</p> <p>D. Keypad does not work.</p> <p>E. Control does not work.</p> | <p>A. Remove blockage.</p> <p>B. Identify source of fault and correct or replace wiring. Refer to installer/dealer.</p> <p>C. Fill basin 3" (7.6cm) over top of suction cover.</p> <p>D. Replace keypad. Refer to installer/dealer.</p> <p>E. Replace control. Refer to installer/dealer.</p> |
| 4. Unit stops automatically before 18 minutes. | <p>A. GFCI or ELCB has tripped.</p> <p>B. Motor overheated and protection device activated.</p> | <p>A. Set/Reset GFCI or ELCB.</p> <p>B. Check for restricted air space around pump box, motor vent blockage, suction/harness blockage. Correct and allow motor to cool.</p> |
| 5. Unit does not stop automatically after 22 minutes. | <p>A. Timer mechanism accidentally deactivated.</p> | <p>A. See service manual. Refer to installer/dealer.</p> |

Troubleshooting (cont.)

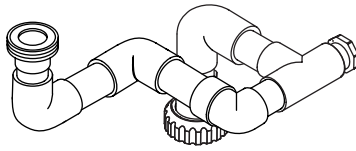
| Symptoms | Probable Causes | Recommended Action |
|--------------------------|---|--|
| 6. Noisy operation. | A. Not enough water in footbath basin. B. Band straps (if applicable) on the pump are not cut. | A. Fill basin 3" (7.6cm) over top of suction cover. B. Cut band straps. |
| 7. Remote does not work. | A. Remote not programmed. | A. Re-program remote following instructions. |



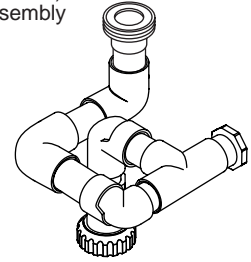
****Finish/color code must be specified when ordering.**

Service Parts

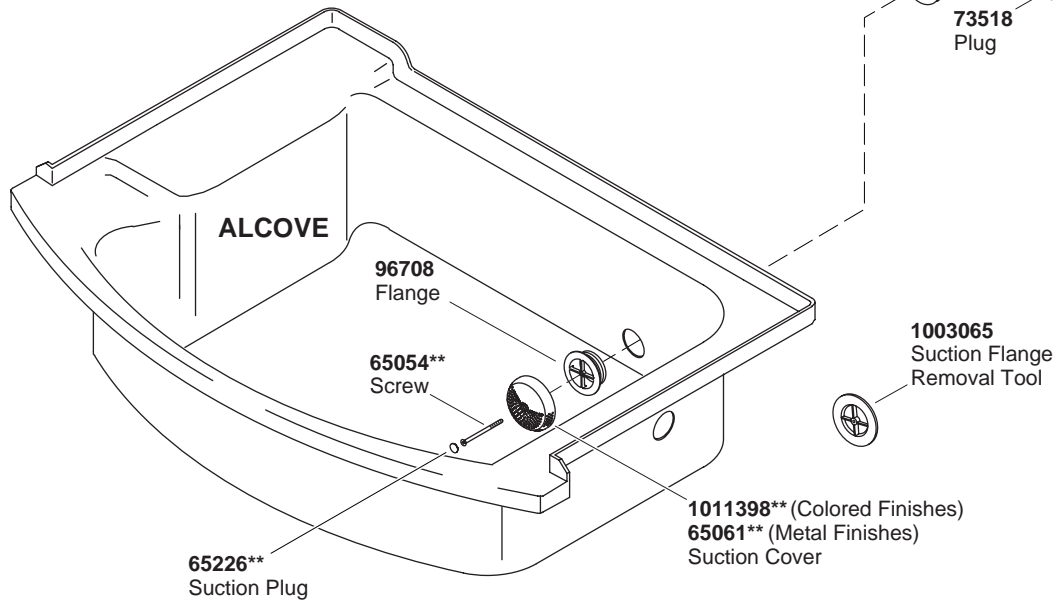
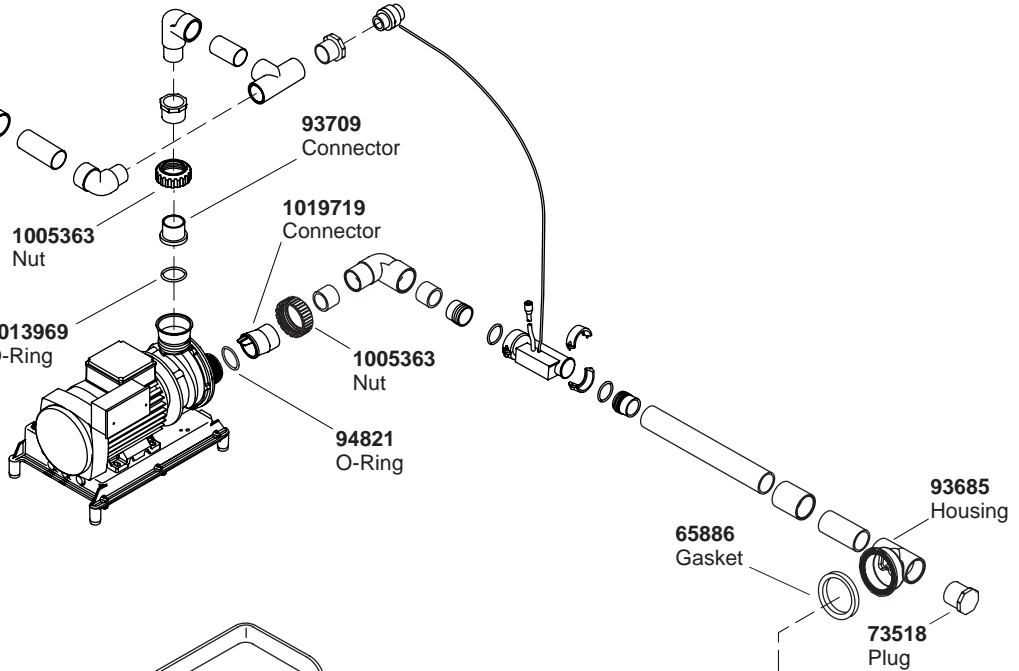
1032131 (K-1036-H2)
 Harness Subassembly



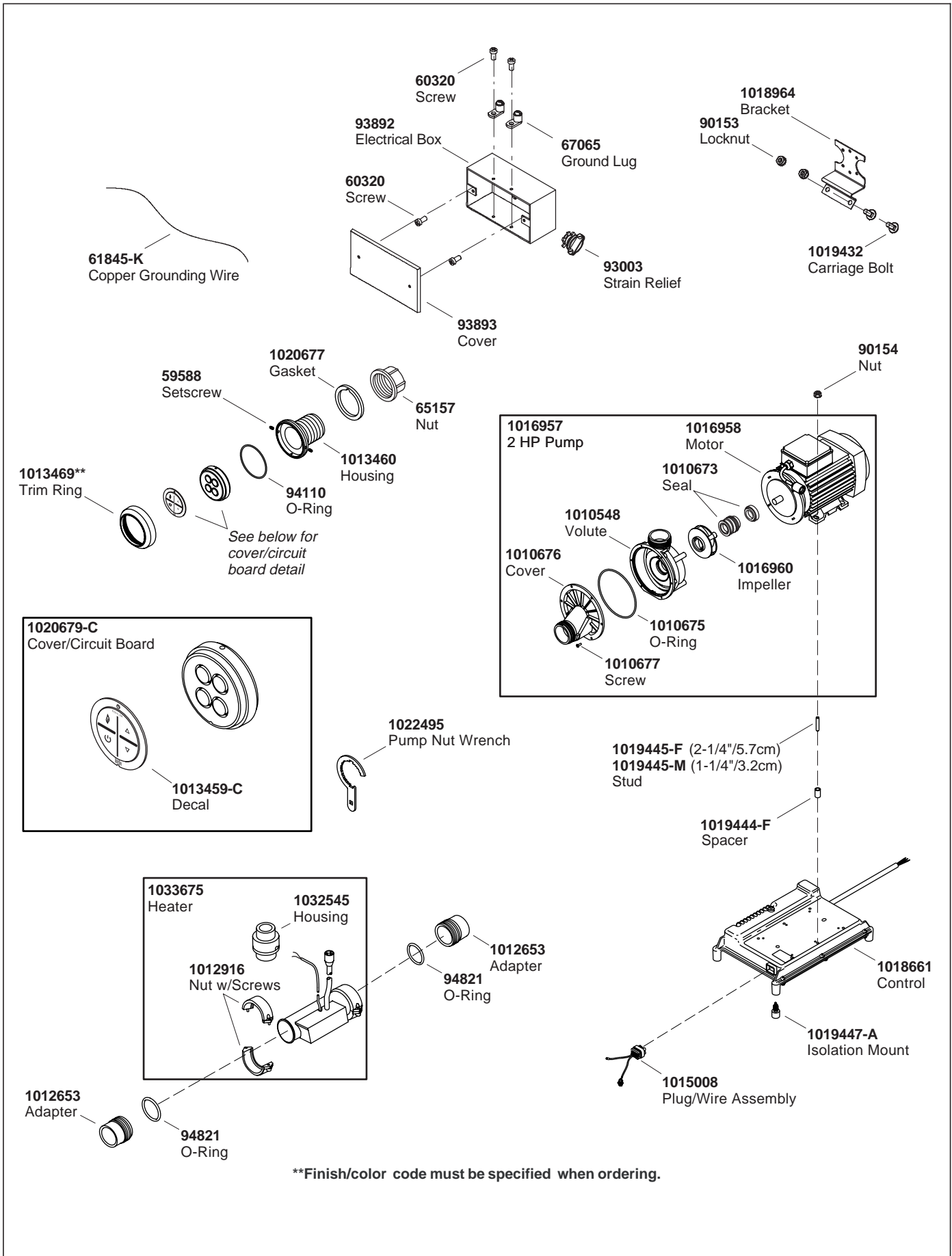
1032123 (K-1035-H2)
 Harness Subassembly

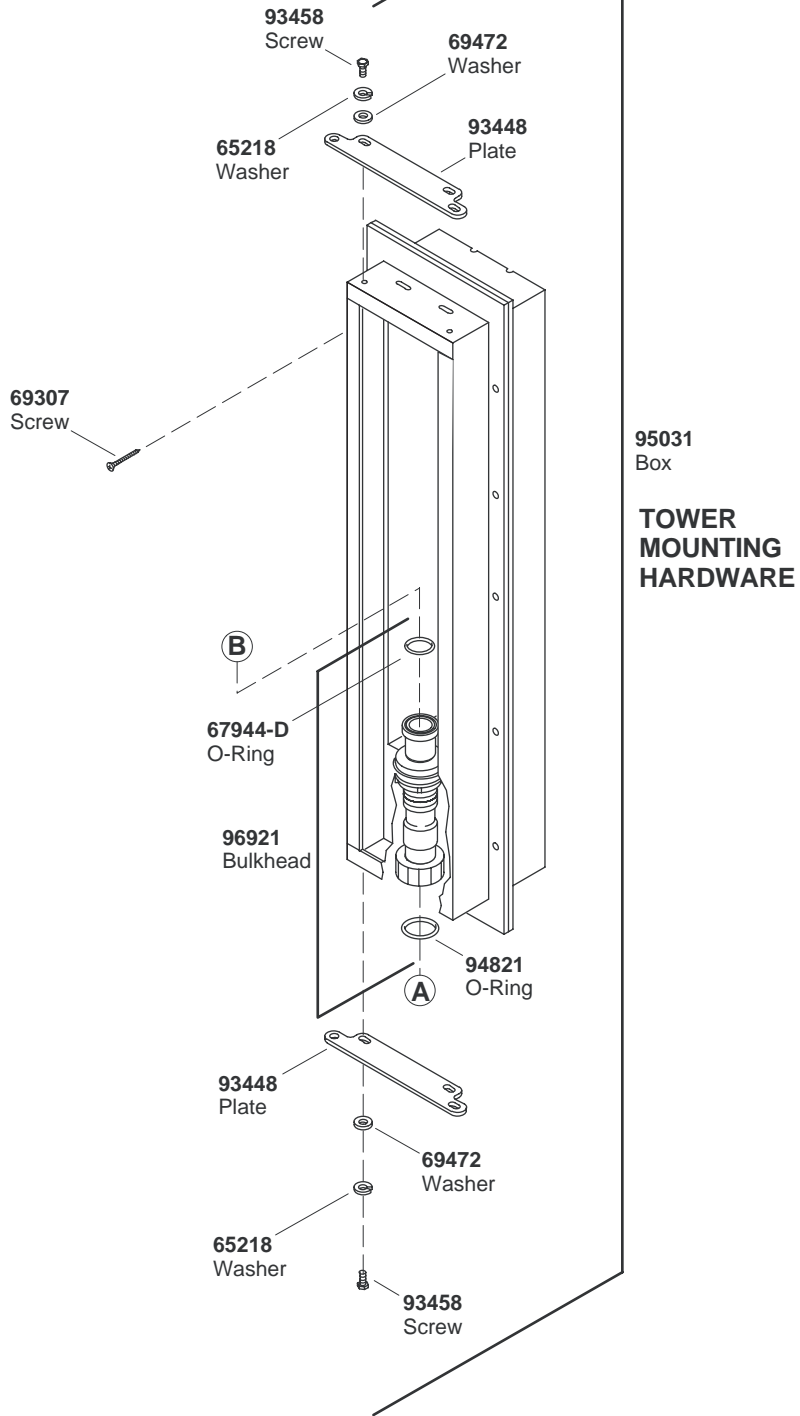


92076
 Adapter

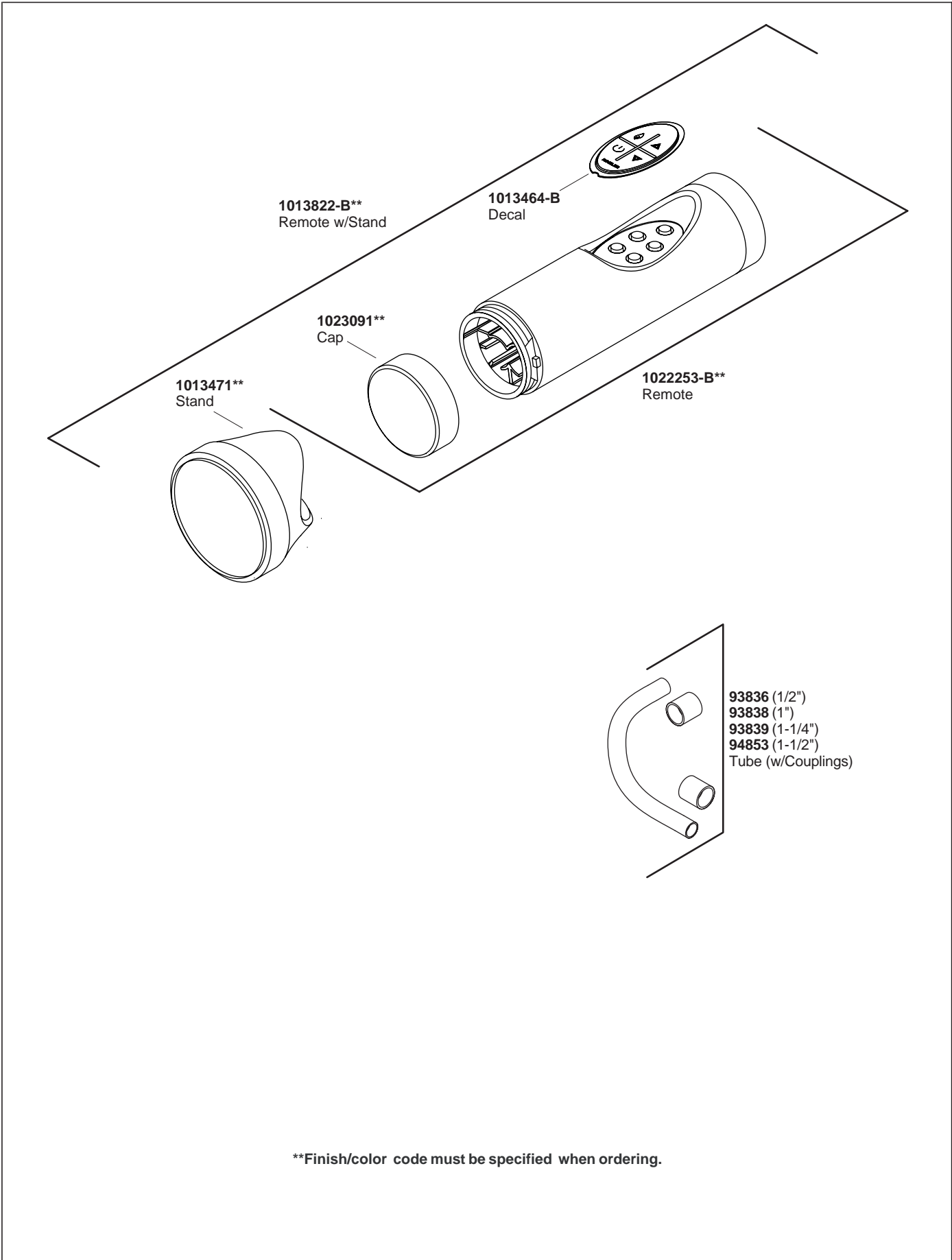


****Finish/color code must be specified when ordering.**





****Finish/color code must be specified when ordering.**



Guide Du Propriétaire

Tour avec Système à Hydromassage

Renseignements Importants


INSTRUCTIONS PERTAINING TO A RISK OF FIRE, ELECTRICAL SHOCK, OR INJURY TO PERSONS READ AND FOLLOW ALL INSTRUCTIONS

 **AVERTISSEMENT : Quand vous utilisez un appareil électrique, toutes les précautions de base doivent toujours être prises, incluant ce qui suit :**

 **DANGER : Risques de blessures corporelles.** Afin de réduire les risques de blessures, ne jamais permettre à un enfant d'utiliser cet appareil sans surveillance.

 **AVERTISSEMENT : Risques de blessures corporelles.** Pour éviter les blessures corporelles, entrez et sortez de l'unité doucement.

 **AVERTISSEMENT : Risque d'électrocution.** Ne pas raccorder des appareils électriques (tels que sèche-cheveux, lampes, téléphone, radios ou télévisions) à une trop courte distance.

 **AVERTISSEMENT : Risque d'hyperthermie.** Les personnes sous traitement médical ou qui sont en observation médicale doivent consulter leur médecin avant d'utiliser cet appareil.

Utilisez cette appareil que pour un usage tel que décrit dans ce manuel. Ne pas utiliser de fixation non recommandées par le fabricant.

Ne faites pas tomber ou n'insérez aucun objet dans les ouvertures.

Ne pas utiliser cet appareil sans ses protecteurs (couverts) sur ses raccords d'aspiration.


L'installation électrique doit avoir deux Disjoncteurs de Fuite de Terre (GFCI) ou deux Disjoncteurs mis à la Terre (ELCB). Le GFCI ou le ELCB protège contre une électrocution par la mise à la terre. **Utilisez deux lignes dédiées de 220/240 V. 20 A. 50/60 Hz. une pour la pompe et l'autre pour le chauffage.** L'installateur doit fournir les disjoncteurs de mise à la terre, lesquels devraient être vérifiés régulièrement.

Appuyez sur le bouton de Test pour tester les disjoncteurs GFCI or ELCB. Les disjoncteurs GFCI or ELCB de mise à la terre devraient couper l'alimentation. Enfoncez le bouton de remise en circuit. L'alimentation devrait être restituée.

Si les disjoncteurs GFCI or ELCB ne fonctionnent pas de cette façon, ils sont donc défectueux. Si les disjoncteurs GFCI or ELCB stoppent l'alimentation électrique de la baignoire sans que le bouton TEST soit utilisé, il y a donc un court circuit. Danger d'électrocution. **Ne pas utiliser :**

Débranchez l'unité et la faire vérifier par un Technicien Qualifié avant de l'utiliser.

CONSERVEZ CES DIRECTIVES

 **AVERTISSEMENT : L'alcool, les drogues ou les médicaments peuvent augmenter considérablement le risque d'hyperthermie.** Une immersion prolongée dans l'eau chaude peut provoquer l'hyperthermie. L'hyperthermie se passe lorsque la température corporelle interne atteint plusieurs degrés au-dessous de la température normal du corps de 98 F (37 C). Les symptômes d'hyperthermie comprennent la hausse de la température corporelle, l'étourdissement, la léthargie, la somnolence et l'évanouissement. Les effets de l'hyperthermie comprennent : (a) défaut de percevoir la chaleur, (b) défaut de s'apercevoir du besoin de sortir de la baignoire, (c) incapacité de reconnaître le danger, (d) souffrance foetale dans le cas des femmes enceintes, (e) incapacité physique de sortir de la baignoire et (f) inconscience et danger subséquent à la noyade.

Renseignements Importants (cont.)

Un connecteur à pression est prévu à l'extérieur de la pompe ou de la commande de cet appareil afin de permettre la connexion entre l'appareil et les surfaces de métal avoisinantes, tel que requis par les normes locale.

IMPORTANT ! Rincez la système deux fois par mois ou plus souvent, selon la fréquence d'usage, tel que décrit dans la rubrique Entretien et Nettoyage.

Ne laissez pas la température de l'eau excéder plus de 104°F (40°C).

Ne pas laisser de petits objets ou des jouets pour le bain dans la Baignoire à Hydromassage lorsque celle-ci est en marche.

Ne pas utiliser de savon, de shampoing ou de produit moussant pour le bain dans l'eau. Il vous est possible d'employer du savon ou du shampoing pendant la douche, avant de remplir le receveur.

Votre nouveau produit a été homologué par l'ULC, ce qui assure par conséquent votre sécurité et celle de votre famille. Cette nouvelle unité est conforme aux normes ANSI et aux normes IAPMO établies pour l'industrie de la plomberie.

Sommaire

| | |
|--|----|
| Renseignements Importants | 1 |
| Merci d'avoir choisi la Société KOHLER | 2 |
| Votre Système de Balnéothérapie | 2 |
| Votre Système de Balnéothérapie et Fonctions | 3 |
| Avant l'Opération | 3 |
| Utilisant le Clavier de Contrôle | 5 |
| Utilisant la Télécommande | 6 |
| FCC Conforme | 6 |
| Nettoyage et Entretien | 7 |
| Nettoyez Les Surfaces Extérieures | 7 |
| Nettoyage des Parois et du Receveur | 7 |
| Nettoyage de la Porte | 7 |
| Garantie limitée de un an pour les É.U. et le Canada | 8 |
| Dépannage | 8 |
| Tableau de Dépannage | 8 |
| Pièces de Rechange | 10 |

Merci d'avoir choisi la Société KOHLER

Merci d'avoir choisi la ligne The Bold Look de KOHLER. Le travail soigné des Artisans de KOHLER, vous fera apprécier une rare combinaison de performances prouvées et une sophistication gracieuse, qui vous satisferont pour les années à venir. La fiabilité et la beauté de votre nouveau système de balnéothérapie surpasseront vos plus grandes attentes. Chez KOHLER, nous sommes fiers du rendement de nos produits et nous savons qu'il en sera de même pour vous.

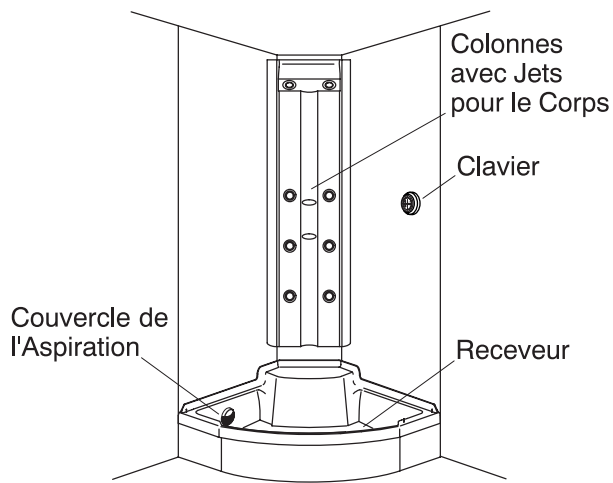
S'il vous plaît, prenez quelques minutes pour consulter le Guide du Propriétaire. Portez une attention toute particulière aux instructions d'Entretiens et de Nettoyages de ce manuel.

Tout renseignement contenus dans ce manuel d'instruction ont été revus et corrigés avant sa publication. Chez KOHLER, nous améliorons toujours nos produits. Nous nous réservons le droit d'apporter toutes modifications aux caractéristiques, conditionnements et disponibilités des produits, et ceci à tout moment et sans préavis.

Votre Système de Balnéothérapie

Votre Système de Balnéothérapie KOHLER et le système de balnéothérapie customisé le plus optimum. Le jet stimulant, revigore et stimule votre corps.

La puissante pompe, bien que silencieuse, débite jusqu'à 80 gallons (303 l.) par minute. Le système recircule l'eau jusqu'à deux fois par minute. Un chauffage est destiné à maintenir la température de l'eau pour exalter votre expérience ultime.



Votre Système de Balnéothérapie et Fonctions

- **Opération de Utilisateur du Clavier** - localisé à la portée de votre main, il vous permet d'arrêter ou de démarrer votre Système de Balnéothérapie, le chauffage et de régulariser le débit des buses.
- **Moteur de pompe** - silencieux et à vitesses variables, il fournit l'alimentation en eau et crée l'action d'hydromassage.
- **Valves des Buses pour le corps** - sont placées intelligemment sur la face de la tour pour offrir un contrôle facile et rapide du Système de Balnéothérapie. La valve supérieure ouvre et ferme deux jets du dispositif central. La valve inférieure contrôle un set inférieure de 4 jets. Ouvrez ou fermez ces valves comme désirées pour votre confort de balnéothérapie.
- **Chauffage** - il vous aide à maintenir automatiquement la température de l'eau jusqu'à 104°F (40°C) pour exalter l'expérience de votre massage. Le chauffage s'active automatiquement lorsque le Système de Balnéothérapie est en service, puis il s'éteint de lui même lorsque le moteur de la pompe est arrêté. Le chauffage peut être arrêté par le clavier de commande et à tout moment quand la pompe est en fonction.

Avant l'Opération

S'il vous plaît, lisez et suivez ces informations pour que vous puissiez jouir de tous les avantages du bain de Balnéothérapie.

Avant que vous démarriez le Système de Balnéothérapie :

- Retirez tous objets tels que savon, bouteille de shampooing et gant de toilettes.
- Il est conseillé d'enlever ses lunettes, lentilles de contact et bijoux avant de rentrer dans le Système de Balnéothérapie.
- Ne mélanger pas de savon, de shampooing ou de produit moussant avec l'eau du Système de Balnéothérapie. Il vous est possible d'employer du savon ou du shampooing pendant la douche, avant de remplir le receveur.
- Remplissez le receveur profond à au moins 3" (7,6 cm) au-dessus du couvercle de l'aspiration.
- Bien fermez la porte.
- Vérifiez la température de l'eau dans le receveur avec la main avant de commencer votre séance de balnéothérapie. Ne jamais remplir le receveur avec de l'eau à plus de 104° F (40° C).

Quand vous Utilisez le Système de Balnéothérapie :

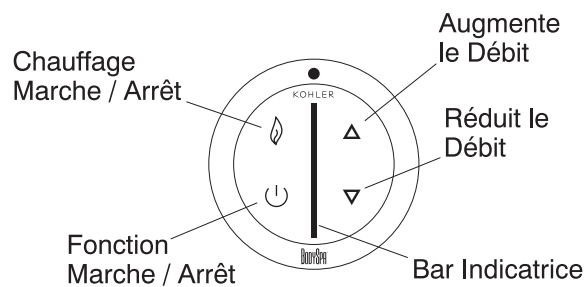


AVERTISSEMENT : Risques de blessures corporelles. Restez toujours hors du jet quand vous démarrez le Système de Balnéothérapie. Le jet de l'eau peut être très puissant.

- Bien fermez la porte.

Avant l'Opération (cont.)

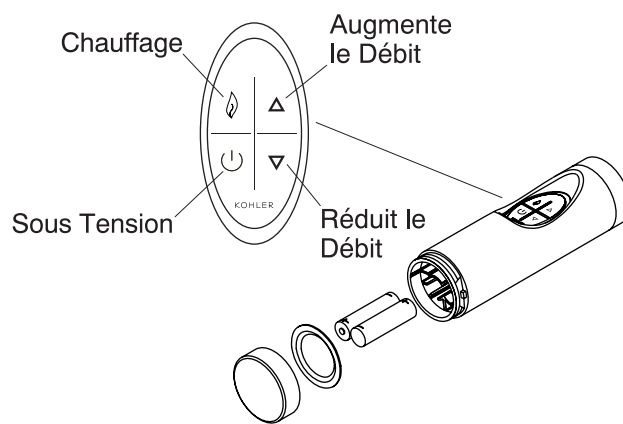
- Appuyez sur le bouton de démarrage du clavier pour démarrer l'appareil de Balnéothérapie.
- Le système est réglé par défaut sur la pression d'eau la plus faible au démarrage.
- Il faudra quelques secondes pour que l'eau commence à s'écouler après avoir poussé le bouton de démarrage. Laissez l'eau s'écouler quelques secondes avant de rentrer dans l'unité.
- Augmentez la puissance du jet graduellement pour vous habituer à son intensité.
- Le Système de Balnéothérapie s'arrêtera automatiquement après 20 minutes de fonctionnement.
- Si vous désirez continuer à utiliser le Système de Balnéothérapie après qu'il se soit automatiquement arrêté, restez hors du jet et appuyez sur le bouton de démarrage du clavier.
- Si vous vous sentez étourdi ou fatigué pendant l'utilisation du Système de Balnéothérapie, déplacez-vous immédiatement dans la Zone Sans Eau de sécurité et arrêtez l'unité avec le bouton de (démarrage) power puis sortez de la pièce.



Clavier de l'Utilisateur Illuminé

Utilisant le Clavier de Contrôle

- **Fonction Marche / Arrêt** - démarre et arrête l'appareil depuis le clavier, le system de pompe et le chauffage.
- **Flèche du Haut** - augmente le débit de l'eau des jets.
- **Flèche du Bas** - diminue le débit de l'eau des jets.
- **Chauffage Marche / Arrêt** - le chauffage s'active automatiquement lorsque la pompe est mise en service. Appuyez sur l'icône du chauffage pour l'arrêter. Appuyez sur l'icône du chauffage une deuxième fois pour le faire redemarrer. Le chauffage aidera à garder la température jusqu'à 104° F (40° C).
- **Bar Indicatrice** - indique le volume de débit d'eau dans différent modes.



Utilisant la Télécommande

- La télécommande apporte toutes les options à la portée de la main, pour améliorer votre confort et votre expérience de balnéothérapie. Les fonctions de la télécommande sont les mêmes que celles du clavier. Vous pouvez arrêter ou démarrer le système, arrêter ou démarrer le chauffage, et augmenter/diminuer le débit des jets.
- La télécommande étanche a été conçue pour être utilisée dans le bain, et elle flotte sur l'eau.
- Deux piles AAA sont nécessaires pour la télécommande. Pour les remplacer, dévissez simplement le bouchon et insérez les piles comme indiqué ci-dessus. Serrez soigneusement, en vous assurant que le bouchon soit en contact avec le joint.

Programmez la télécommande

REMARQUE : La programmation de la télécommande n'est normalement pas nécessaire. Si plusieurs appareils situés dans votre maison utilisent une/des télécommande(s), il vous sera peut-être nécessaire de programmer votre télécommande en utilisant le clavier. Si vous remplacez votre télécommande, ou le cerveau de votre pompe, il vous sera peut-être nécessaire de la reprogrammer.

- Mettez en fonction le Système de Balnéothérapie.
- Arrêtez tous les modes d'opération. Attendez approximativement une minute jusqu'à ce que le clavier soit complètement sombre (mode veille).
- Pressez sur la flèche vers le haut du clavier, flèche vers le bas et le bouton du chauffage simultanément. Le bouton LED, de la barre d'indication du clavier, commencera à clignoter.
- Quand la LED clignote, appuyez sur le bouton du chauffage du clavier. Une séquence de lumières s'illuminera de bas en haut de la barre d'indication.
- Pendant que la séquence de la barre d'indication est illuminée, appuyez sur n'importe quel bouton de la télécommande. Le programme se téléchargera vers votre télécommande et le clavier deviendra sombre. Le clavier sera maintenant compatible avec la télécommande.

FCC Conforme

FCC ID : N82-KOHLER001

Canada ID : 4554A-KOHLER001

Déclaration de Conformité (Partie 15.19)

Cet appareil est conforme avec la Partie 15 de la réglementation FCC et RSS-210 Canada Industrie. L'opération de fonctionnement est contrainte aux deux conditions suivantes :

1. Cet appareil ne devrait pas causer d'interférences dangereuses, et :
2. Cet appareil doit accepter toutes les interférences reçues, ainsi que celles qui pourraient causer des opérations non désirées.

AVERTISSEMENT : (Partie 15.21)

FCC Conforme (cont.)

Tous changements et/ou modifications non expressément approuvés par la partie responsable garantissant la conformité, pourrait annuler le droit à l'opérateur d'utiliser l'équipement.

Nettoyage et Entretien

Vidange de Votre Système de Balnéothérapie

Nettoyez la cascade en la rinçant deux fois par mois ou plus souvent selon la fréquence d'usage. Pour ce faire :

- Remplir le receveur avec de l'eau chaude à au moins 3" (7,6 cm) au-dessus du couvercle de l'aspiration.
- Ajoutez à l'eau deux cuillères à thé d'un détergent pour lave-vaisselle peu moussant et une 1/2 tasse d'un javellisant domestique.
- Faire fonctionner l'appareil de Balnéothérapie pendant 5 à 10 minutes et activez les 8 buses corporelles en même temps Arrêtez le fonctionnement de la cascade et purgez l'eau.
- Remplir le receveur avec de l'eau chaude à au moins 3" (7,6 cm) au-dessus du couvercle de l'aspiration. Faire fonctionner le Système de Balnéothérapie pendant 5 à 10 minutes et activez les 8 buses du corps en même temps. Purgez le receveur et essuyez à fond sa surface avec un chiffon doux et propre.

Nettoyez Les Surfaces Extérieures

- Utiliser un savon doux et de l'eau tiède. Essuyez à fond toute la surface avec un linge doux et propre. Plusieurs nettoyeurs contiennent des agents chimiques, tels que l'ammonia, et peuvent abîmer la finition. L'utilisation de ces produits n'est pas conseillée.
- **Ne pas** utiliser de nettoyeurs abrasifs ou des solvants pour cet appareil.

Nettoyage des Parois et du Receveur

- Les divers matériaux exigent des nettoyeurs et des méthodes de nettoyage différentes. Veuillez suivre la notice d'Entretien et de Nettoyage fournie par les fournisseurs des matériaux des parois et du receveur.

Nettoyage de la Porte

Porte KOHLER :

- Conservez l'aspect neuf de la porte avec un simple entretien journalier. Utilisez un nettoyeur pour vitres et rincez la surface immédiatement avec de l'eau.
- Selon la qualité de l'eau des diverses régions du pays, il faudra peut-être prendre des précautions supplémentaires pour le nettoyage de l'unité.
- KOHLER ne conseille pas d'utiliser des nettoyeurs abrasifs. Les nettoyeurs abrasifs peuvent endommager la finition métallique ou la surface en verre de votre porte.
- Remplacez les joints de la porte lorsqu'ils affichent des signes d'usure, de jaunissement ou lorsqu'ils ne sont plus étanches. Pour les pièces de rechange, contactez le Distributeur Agréé le plus proche.

Pour les Portes qui ne sont pas de chez KOHLER :

- Suivez la notice d'Entretien et Nettoyage fournie par le fabricant de la porte.

Garantie limitée de un an pour les É.U. et le Canada

Les robinets, meubles et accessoires KOHLER sont garantis contre tout défaut matériel et de fabrication pour un an, à partir de la date de l'installation.

La Société KOHLER jugera de la réparation, du remplacement ou du réglage approprié et ceci après une inspection faite par la Société KOHLER ; tous défauts seront uniquement dus à une utilisation normale, et ceci pendant un an à partir de la date d'installation. La Société KOHLER n'est pas responsable des coûts de l'installation.

Pour vous prévaloir du service en vertu de cette garantie, contactez la Société KOHLER par l'intermédiaire de votre Concessionnaire ou Entrepreneur Plombier, Centre de Rénovation ou Revendeur Internet, ou par écrit à : Customer Service Department, 444 Highland Drive, KOHLER, WI. 53044 USA, ou encore par téléphone au 1-800-4-KOHLER à partir des É.U., au 1-800-964-5590 pour le Canada, et au 001-877-680-1310 pour le Mexique.

La durée des garanties tacites, y compris celles de ça commercialité et d'aptitude à un emploi particulier, se limite expressément à la durée de la présente garantie. La Société KOHLER décline toute responsabilité contre les dommages particuliers, accidentel ou préjudice indirect. Certains Etats ou Provinces ne permettent pas la limitation sur la durée de la garantie, ou l'exclusion ou la limitation spéciale, de dommages occasionnés, ou corrélatif à un accident, de sorte que ces limitations ou exclusions pourraient ne pas s'appliquer dans votre cas. La présente garantie vous donne des droits légaux spécifiques. Vous pouvez également avoir d'autres droits qui varient d'une Province à l'autre.

Ceci constitue notre garantie écrite exclusive.

Remarques :

1. Il se peut que les couleurs des produits illustrés dans les catalogues présentent quelques variations par rapport aux couleurs réelles.
2. La Société KOHLER se réserve le droit d'apporter toutes modifications aux caractéristiques, conditionnements et disponibilités des produits, à tout moments et, ceci sans préavis.

COPYRIGHT 1999, 2000, 2001, 2002 PAR KOHLER CO.

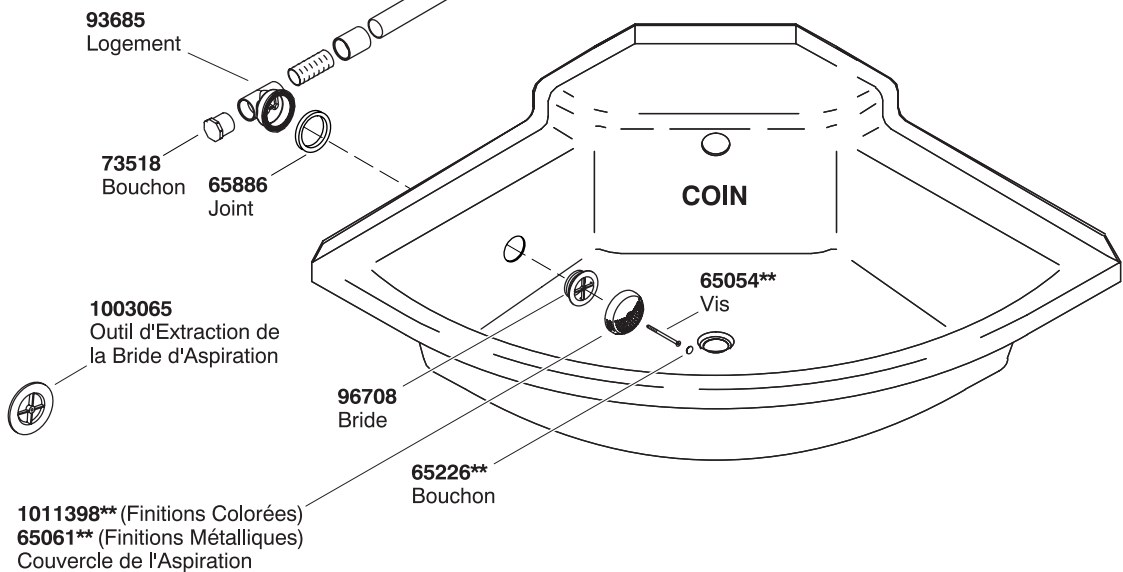
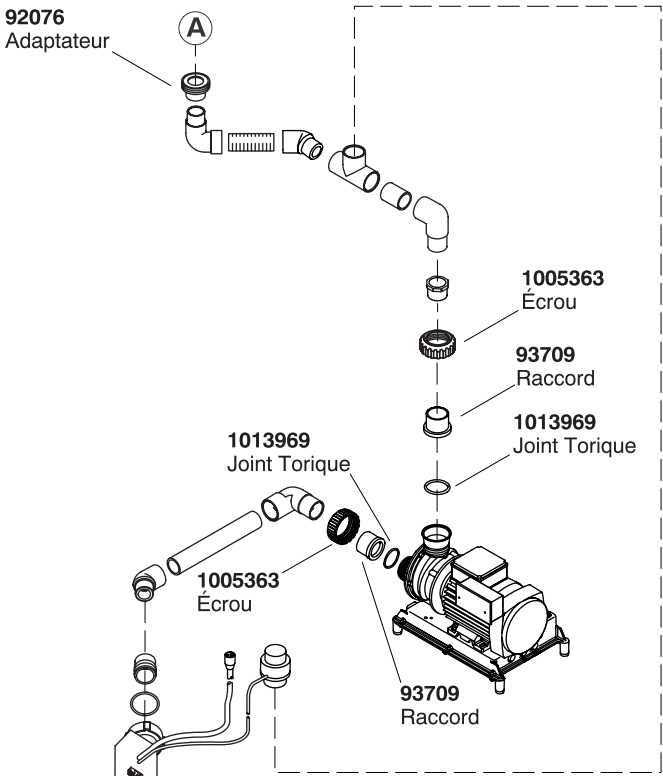
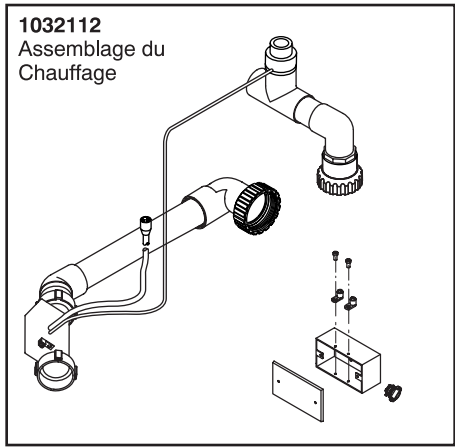
1. Dépannage

Tableau de Dépannage

Ce guide de dépannage est destiné à donner seulement une aide générale. Un Technicien autorisé de KOHLER ou un Électricien compétent devraient voir à la réparation de tout problème électrique. Pour une réparation sous garantie, contactez votre Distributeur ou votre Détaillant.

| Symptômes | Causes Probables | Action Recommandée |
|--|---|---|
| 1. L'appareil ne démarre pas ou ne s'arrête pas. | <p>A. L'alimentation est interrompue à la pompe/moteur/clavier.</p> <p>B. Le harnais est bloquée.</p> <p>C. Le clavier est débranché de la pompe/boîtier de commande.</p> <p>D. Le clavier ne fonctionne pas.</p> <p>E. Il n'y a pas suffisamment d'eau dans le receveur.</p> <p>F. L'ensemble de moteur et pompe ne fonctionne pas.</p> <p>G. Le commande ne fonctionne pas.</p> | <p>A. Régler/réinitialiser le GFCI ou ELCB. Vérifier le câblage. Contacter l'Installateur ou le Revendeur.</p> <p>B. Dégager ce qui bouche.</p> <p>C. Reconnecter le clavier et/ou la cablage.</p> <p>D. Remplacer le clavier. Contacter l'Installateur ou le Revendeur.</p> <p>E. Remplir le receveur 3" (7,6 cm) au-dessus du couvercle d'aspiration.</p> <p>F. Remplacer le moteur et la pompe. Contacter l'Installateur ou le Revendeur.</p> <p>G. Remplacer le contrôle. Contacter l'Installateur ou le Revendeur.</p> |

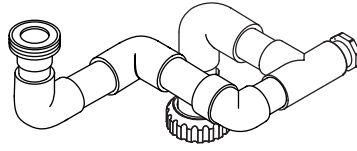
| Dépannage (cont.) | | |
|--|---|--|
| Symptômes | Causes Probables | Action Recommandée |
| 2. Il n'y a plus de pression. | <p>A. Il n'y a pas suffisamment d'eau dans le receveur.</p> <p>B. Le conduit d'aspiration est bloquée.</p> <p>C. Le harnais est bloquée.</p> | <p>A. Remplir le receveur 3" (7,6 cm) au-dessus du couvercle d'aspiration.</p> <p>B. Éliminer l'obstruction.</p> <p>C. Dégager ce qui bouche.</p> |
| 3. Le moteur démarre, aucun jet ne fonctionnent. | <p>A. Les jets sont bloqués.</p> <p>B. Le câble est desserré ou endommagé.</p> <p>C. Il n'y a pas suffisamment d'eau dans le receveur.</p> <p>D. Le clavier ne fonctionne pas.</p> <p>E. Le commande ne fonctionne pas.</p> | <p>A. Dégager ce qui bouche.</p> <p>B. Identifier la source du problème puis y remédier ou remplacer le câble. Contacter l'Installateur ou le Revendeur.</p> <p>C. Remplir le receveur 3" (7,6 cm) au-dessus du couvercle d'aspiration.</p> <p>D. Remplacer le clavier. Contacter l'Installateur ou le Revendeur.</p> <p>E. Remplacer le contrôle. Contacter l'Installateur ou le Revendeur.</p> |
| 4. L'appareil s'arrête automatiquement avant 18 minutes. | <p>A. GFCI ou ELCB se déclenchent.</p> <p>B. Le moteur surchauffe et le disjoncteur est activé.</p> | <p>A. Régler/réinitialiser le GFCI ou ELCB.</p> <p>B. Vérifier l'espacement autour du boîtier de la pompe, obstruction de la ventilation du moteur ou aspiration ou obstruction de l'harnais. Corriger et laisser refroidir le moteur.</p> |
| 5. Le système ne s'arrête pas automatiquement après 22 minutes. | <p>A. Le mécanisme du compteur temporel est désactivé accidentellement.</p> | <p>A. Voyager le manuel de service. Contacter l'Installateur ou le Revendeur.</p> |
| 6. Le fonctionnement est bruyant. | <p>A. Il n'y a pas suffisamment d'eau dans le receveur.</p> | <p>A. Remplir le receveur 3" (7,6 cm) au-dessus du couvercle d'aspiration.</p> |
| | <p>B. La sangle (si applicable) de la pompe n'est pas coupée.</p> | <p>B. Couper La sangle.</p> |
| 7. Le pompe ne fonctionne pas. | <p>A. La télécommande n'est pas programmée.</p> | <p>A. Re-programmer la télécommande en suivant les instructions.</p> |



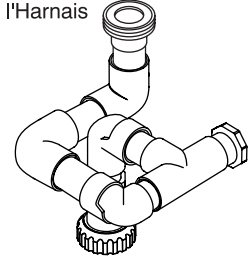
****Vous devez spécifier les codes de la finition et/ou de la couleur quand vous passez votre commande.**

Pièces de Rechange

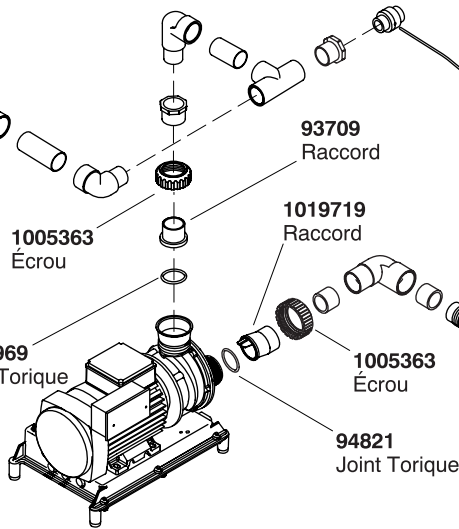
1032131 (K-1036-H2)
Assemblage de l'Harnais



1032123 (K-1035-H2)
Assemblage de l'Harnais



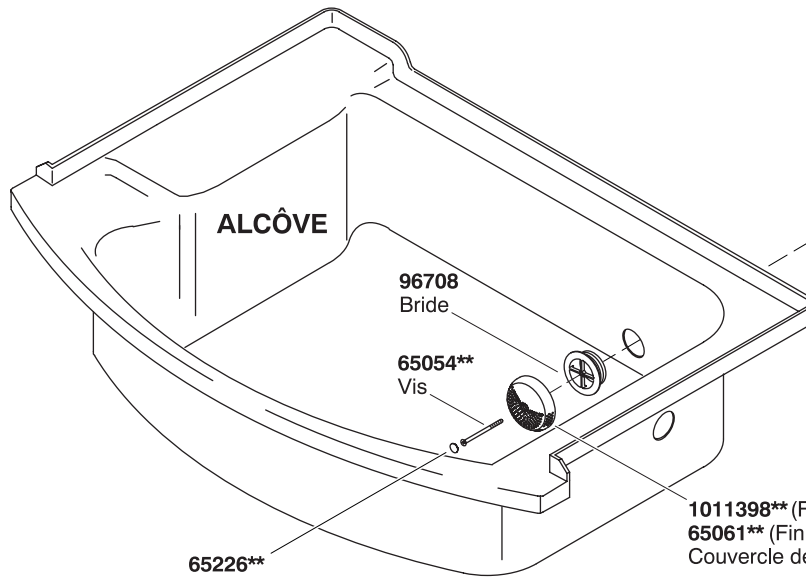
92076
Adaptateur



65886
Joint

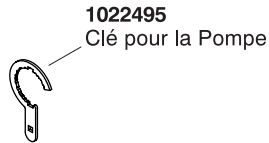
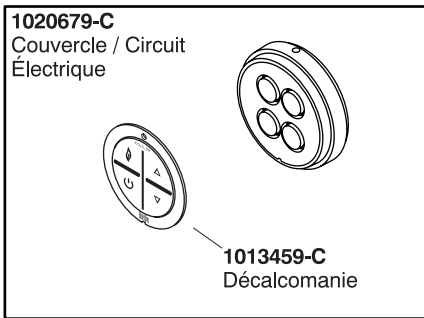
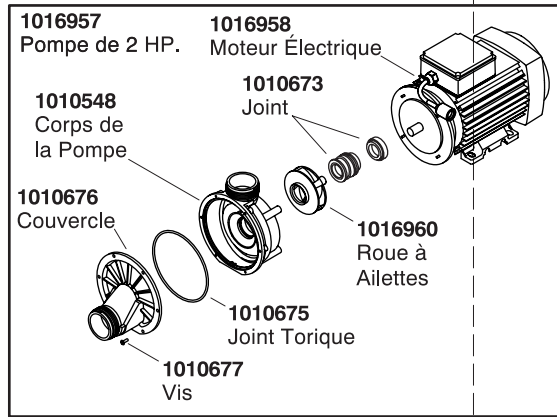
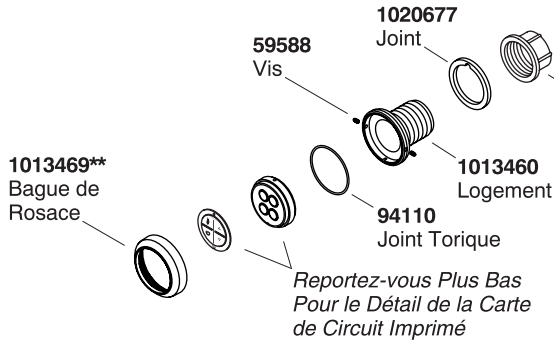
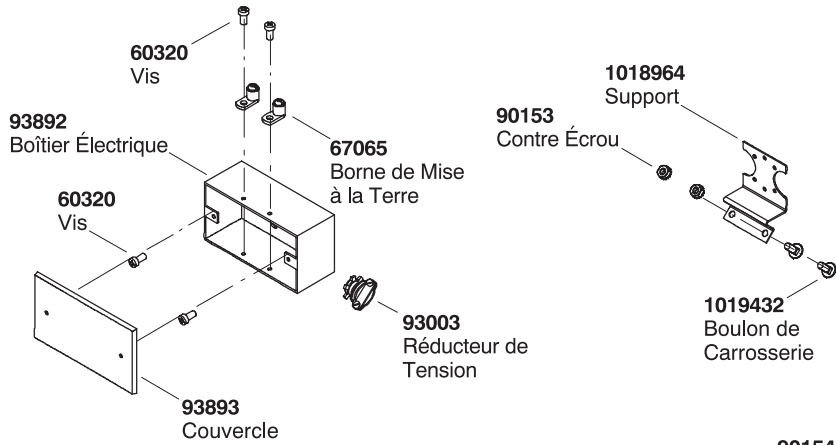
93685
Logement

73518
Bouchon



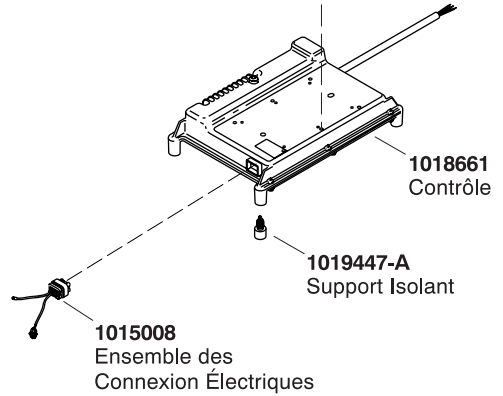
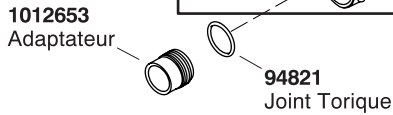
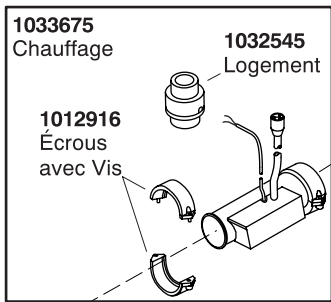
****Vous devez spécifier les codes de la finition et/ou de la couleur quand vous passez votre commande.**

61845-K
Câble de Mise à la
Terre en Cuivre

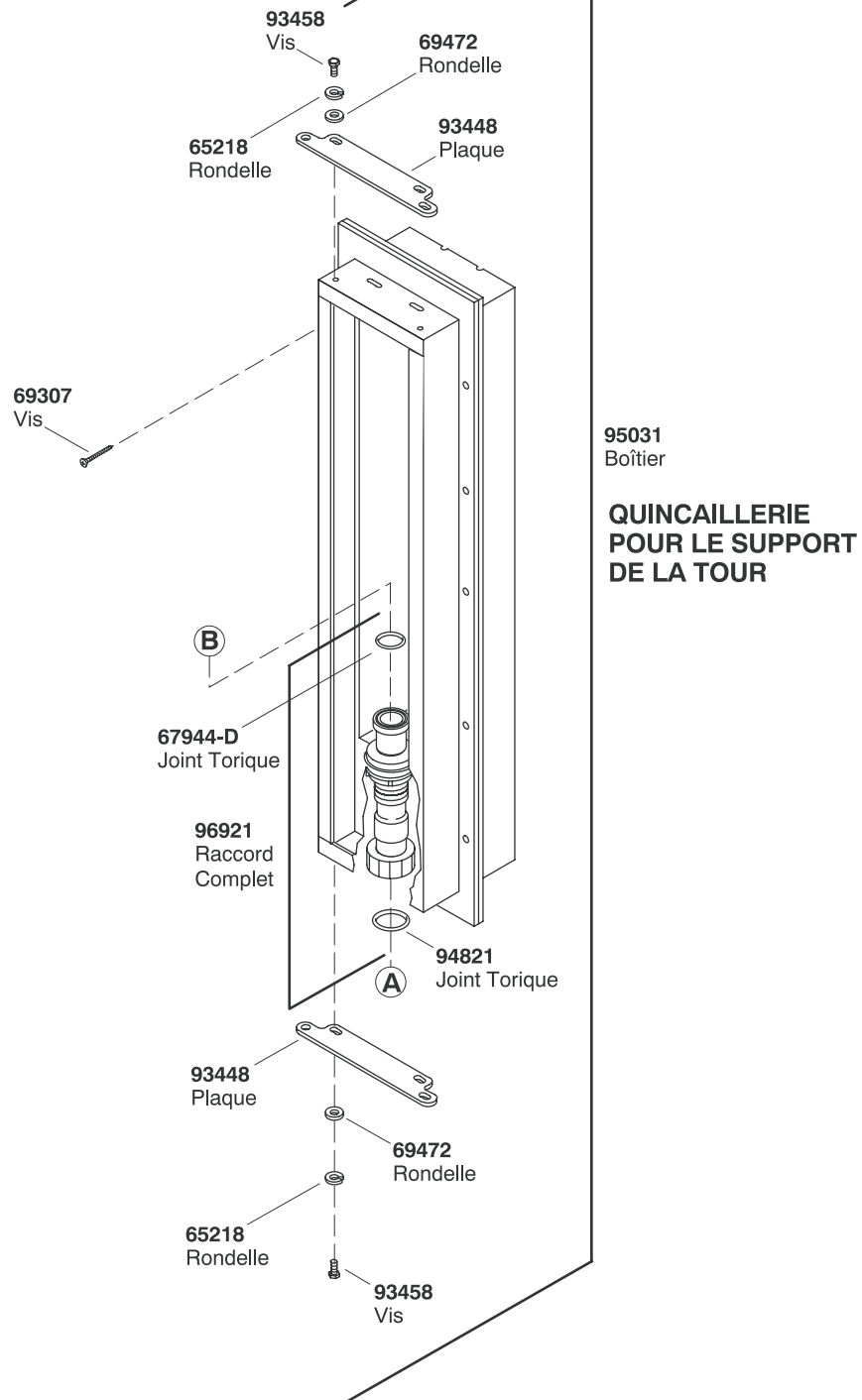


1019445-F (2-1/4"/5,7 cm)
1019445-M (1-1/4"/3,2 cm)
Montant

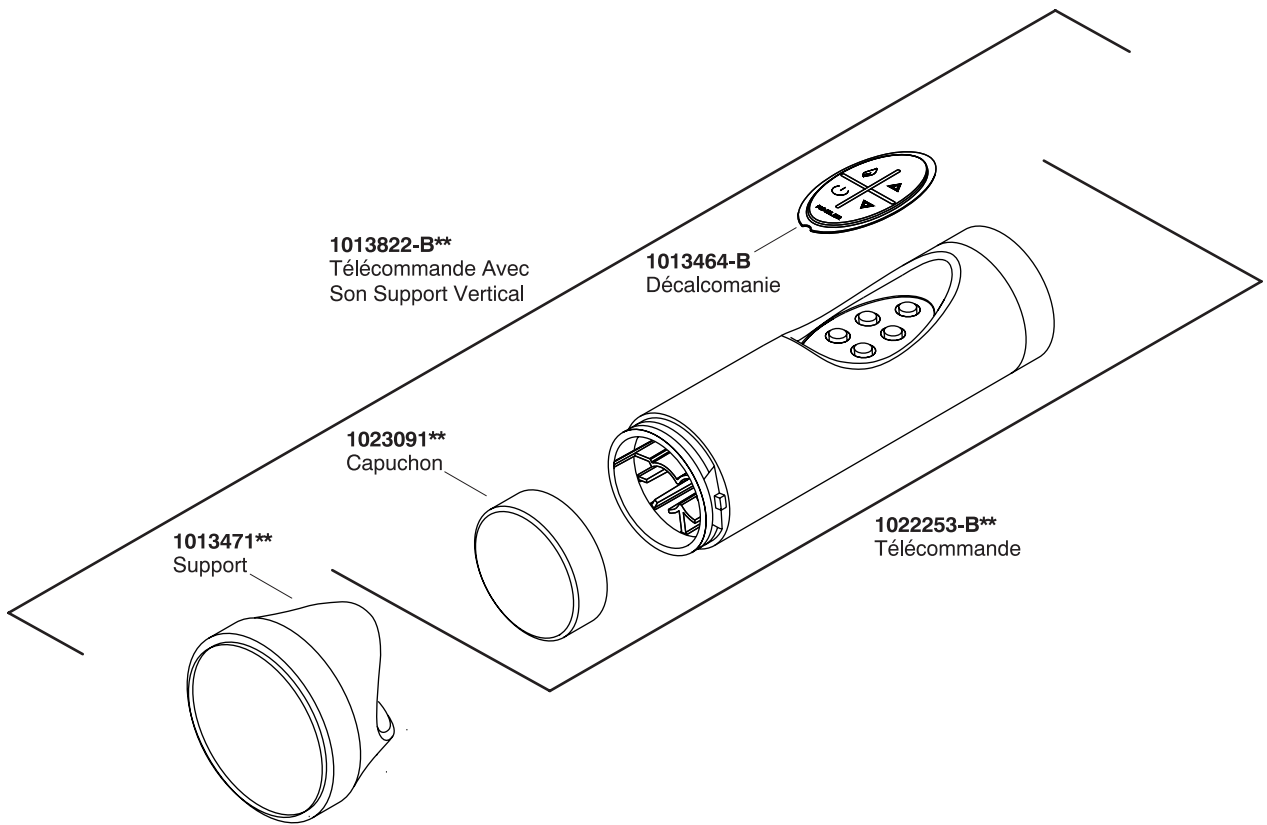
1019444-F
Entretoise



****Vous devez spécifier les codes de la finition et/ou de la couleur
quand vous passez votre commande.**



****Vous devez spécifier les codes de la finition et/ou de la couleur
quand vous passez votre commande.**



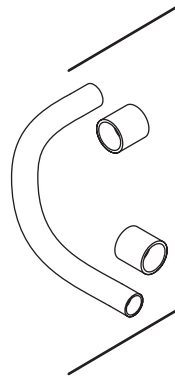
1013822-B**
Télécommande Avec
Son Support Vertical

1013464-B
Décalcomanie

1023091**
Capuchon

1013471**
Support

1022253-B**
Télécommande



93836 (1/2")
93838 (1")
93839 (1-1/4")
94853 (1-1/2")
Tuyau (avec Raccords)

****Vous devez spécifier les codes de la finition et/ou de la couleur
quand vous passez votre commande.**

Guía del Usuario

Sistema de hidromasaje personal con 8 inyectores

Información importante

INSTRUCCIONES RELACIONADAS CON LOS RIESGOS DE INCENDIO, DESCARGA ELÉCTRICA O LESIONES PERSONALES, LEA Y SIGA TODAS LAS INSTRUCCIONES



ADVERTENCIA: Al usar aparatos eléctricos, siga siempre las precauciones básicas, incluyendo las siguientes:



PELIGRO: Riesgo de lesiones personales. Para reducir el riesgo de lesiones, no permita que los niños usen este producto sin estricta supervisión.



ADVERTENCIA: Riesgo de lesiones personales. Para evitar lesiones, tenga cuidado al entrar y salir de la unidad.



ADVERTENCIA: Riesgo de descarga eléctrica. No coloque ningún aparato eléctrico (tales como el secador de pelo, las lámparas, el teléfono, la radio o la televisión) dentro del recinto.



ADVERTENCIA: Riesgo de hipertermia. Las personas que estén tomando medicamentos y/o con un historial médico problemático deben consultar con un médico antes de utilizar este producto.

Use este producto únicamente con el fin para el que se ha fabricado, tal como se explica en este manual. No utilice accesorios que no estén recomendados por el fabricante.

No deje caer ni introduzca objetos en ninguna de las aberturas.

No permita que este producto funcione sin la tapa protectora (tapadera) en el dispositivo de succión.

Esta instalación debe incluir dos interruptores de circuito accionados por corriente de pérdida a tierra (GFCI) de Clase A. El GFCI protege contra una posible descarga eléctrica. **Utilice dos circuitos dedicados de 220/240 V, 20 A y 50/60 Hz; uno para las bombas y los controles, y el otro para el calentador.** El instalador debe suministrar el interruptor de circuito (GFCI), cuyo funcionamiento debe ser revisado de manera rutinaria.

Para probar el interruptor de circuito (GFCI), oprima el botón de prueba. El interruptor de circuito (GFCI) debe interrumpir el suministro eléctrico. Oprima el botón de reinicio. El suministro eléctrico debe haberse restablecido.

Si el interruptor de circuito (GFCI) no funciona de este modo, significa que está defectuoso. Si el interruptor de circuito (GFCI) interrumpe la alimentación a la bañera sin que el botón de prueba haya sido activado, significa que existe corriente a tierra y la posibilidad de una descarga eléctrica. **No lo utilice.**

Desconecte el producto y permita que un representante de servicio autorizado solucione el problema antes de usarlo.

GUARDE ESTAS INSTRUCCIONES



ADVERTENCIA: El uso de alcohol, drogas u otros medicamentos puede aumentar enormemente el riesgo de sufrir hipertermia fatal. La inmersión prolongada en agua caliente puede producir hipertermia. La hipertermia ocurre cuando la temperatura interna del cuerpo alcanza un nivel superior a la temperatura corporal normal de 98,6° F (37° C). Los síntomas de la hipertermia incluyen el aumento de la temperatura corporal interna, mareos, letargo, somnolencia y desfallecimiento. Los efectos de la hipertermia incluyen: (a) incapacidad para percibir calor, (b) incapacidad para reconocer la

Información importante (cont.)

necesidad de salir de la bañera, (c) inconsciencia de un peligro inminente, (d) daño al feto en mujeres embarazadas, (e) inhabilidad física para salir de la bañera y (f) pérdida de la consciencia y peligro de ahogarse.

Esta unidad incluye un conector de presión para permitir la conexión de un conductor de puesta a tierra entre este producto y cualquier metal expuesto en las proximidades de la unidad, tal como lo requieren las normas locales.

¡IMPORTANTE! Limpie el sistema dos o más veces al mes dependiendo del uso, tal como se describe en la sección de Cuidado y Limpieza de este manual.

No permita que la temperatura del agua en el producto exceda de 104°F (40°C).

Mantenga los objetos pequeños tales como los juguetes y accesorios de baño fuera del producto cuando esté en funcionamiento.

No utilice ningún champú, jabón o gel de baño en el agua del producto. Es posible utilizar champú y jabón al ducharse, antes de llenar la pileta de la bañera.

Este producto ha sido incluido en la lista de Laboratorios Underwriter's, para su mayor seguridad y la de su familia. Asimismo, este producto cumple con las estrictas normas del ANSI y IAPMO establecidas dentro de la industria de plomería.

Contenido

| | |
|---|----|
| Información importante | 1 |
| Gracias por elegir los productos de Kohler | 2 |
| Su sistema de hidromasaje | 3 |
| Las características de su sistema de hidromasaje | 4 |
| Antes del funcionamiento | 4 |
| Uso del teclado de control | 6 |
| Uso del mando a distancia | 7 |
| Cumple las normas del FCC | 7 |
| Cuidado y limpieza | 8 |
| Limpieza de las superficies exteriores | 8 |
| Limpieza de las paredes y de la pileta | 8 |
| Limpieza de la puerta | 8 |
| Garantía limitada de un año — Estados Unidos y Canadá | 8 |
| Garantía de un año - México | 9 |
| Problemas de reparación | 10 |
| Guía de los problemas de reparación | 10 |
| Piezas de repuesto | 12 |

Gracias por elegir los productos de Kohler

Gracias por elegir la línea de productos de The Bold Look of Kohler. La artesanía de Kohler le ofrece una rara combinación de rendimiento comprobado y agraciada elegancia capaces de satisfacer sus exigencias durante muchos años. La fiabilidad y belleza de su nuevo sistema de hidromasaje sobrepasarán sus mayores expectativas. En Kohler, nos sentimos orgullosos de nuestros productos y sabemos que usted también lo estará.

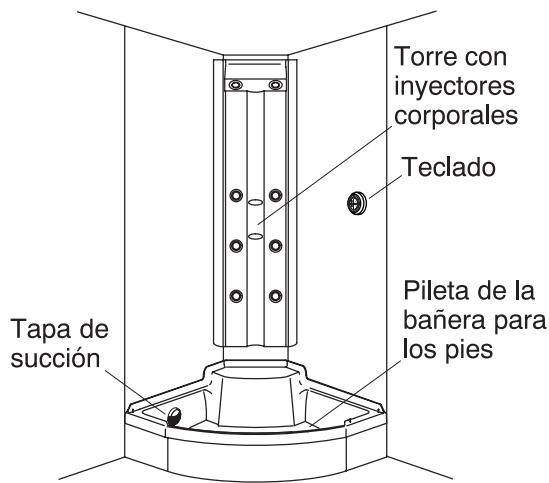
Por favor, tome unos minutos para leer esta Guía del usuario antes de utilizar este producto. Preste especial atención a las instrucciones de cuidado y limpieza en este manual.

Toda la información contenida en las instrucciones está basada en la información más reciente disponible al momento de su publicación. En Kohler, nos esforzamos constantemente por mejorar la calidad de nuestros productos. Por lo tanto, Kohler se reserva el derecho de efectuar cambios en las características del producto, empaque o disponibilidad en cualquier momento, sin previo aviso.

Su sistema de hidromasaje

Su sistema de hidromasaje personal de Kohler es el no va más de los sistemas de hidromasaje a la medida. El rociador vigorizador estimulará, tonificará y dará energía a su cuerpo.

El motor y la bomba de funcionamiento silencioso pero potente hacen fluir hasta 80 galones (303 l) por minuto. El sistema recicla el agua hasta dos veces por minuto. Un calentador ayuda a mantener la temperatura adecuada del agua, para realzar la experiencia total del baño.



Las características de su sistema de hidromasaje

- **Teclado** - de fácil alcance, el teclado le permite encender y apagar el sistema de hidromasaje y el calentador así como regular el flujo de agua a través de los inyectores.
- **Motor de la bomba** - hace circular silenciosamente el agua a una velocidad variable y crea la acción del hidromasaje.
- **Válvulas de los inyectores corporales** - convenientemente colocadas en la parte frontal de la torre para facilitarle el rápido control de su hidromasaje. La válvula del inyector corporal superior abre y cierra el conjunto central de dos inyectores corporales. La válvula inferior controla el conjunto inferior de cuatro inyectores corporales. Abra o cierre estas válvulas para personalizar sus necesidades de hidromasaje.
- **Calentador** - ayuda automáticamente a mantener la temperatura del agua hasta 104°F (40°C) para realzar su experiencia de hidromasaje. El calentador se enciende automáticamente cuando el sistema de hidromasaje está en marcha y se detiene cuando el motor de la bomba se apaga. El calentador se puede apagar con el teclado en cualquier momento mientras la bomba esté funcionando.

Antes del funcionamiento

Por favor, lea y siga estos pasos con cuidado para que pueda disfrutar con seguridad de los beneficios de un baño de hidromasaje.

Antes de encender el sistema de hidromasaje:

- Retire todos los artículos sueltos de baño como las barras de jabón, los botes de champú y las esponjas de la trayectoria directa del agua.
- Quítese los anteojos (gafas), las lentes de contacto y cualquier joya suelta antes de entrar en el cuarto de hidromasaje.
- No utilice champú, jabón o gel de baño en el agua. El champú y jabón se pueden utilizar libremente mientras se duche antes de llenar la pileta de la bañera.
- Llene la pileta con agua templada, al menos 3" (7,6 cm) por encima de la parte superior de la tapa de succión.
- Cierre firmemente la puerta del recinto.
- Introduzca la mano en el agua para probar la temperatura en la pileta antes de activar el sistema de hidromasaje. Nunca llene la pileta con agua que esté a más de 104° F (40° C) de temperatura.

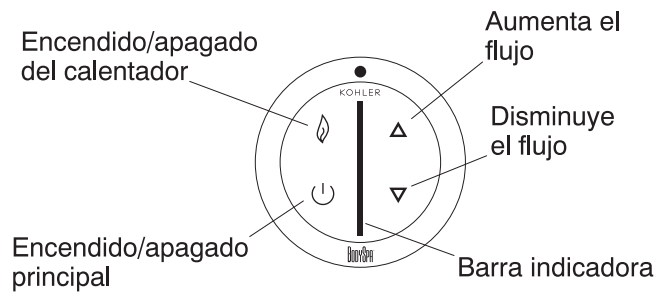
Cuando utilice el sistema de hidromasaje:



ADVERTENCIA: Riesgo de lesiones personales. Apártese siempre a un lado de los inyectores corporales cuando encienda el sistema de hidromasaje. Los chorros de agua pueden tener mucha potencia.

Antes del funcionamiento (cont.)

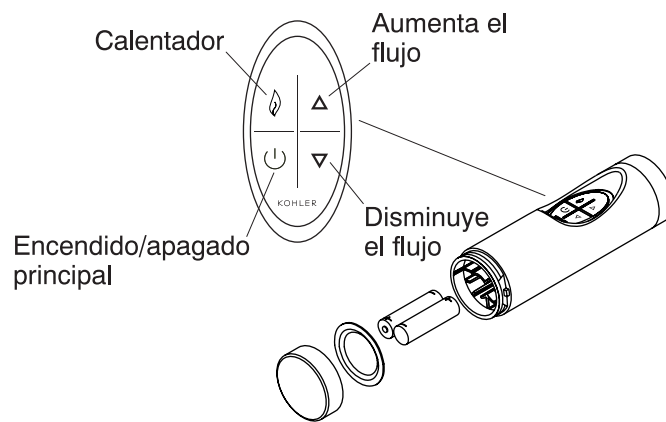
- Cierre firmemente la puerta.
- Pulse el icono de encendido en el teclado para encender el sistema de hidromasaje.
- Durante el encendido, el sistema se activa por defecto con el reglaje de presión del agua más bajo.
- Tras pulsar el icono de encendido, el agua tardará varios segundos antes de empezar a salir. Permita que el agua fluya durante algunos segundos antes de entrar en la unidad para que la temperatura se modere.
- Aumente el flujo de agua gradualmente hasta acostumbrarse a la intensidad.
- El sistema de hidromasaje se apagará automáticamente después de 20 minutos de funcionamiento continuo.
- Si desea utilizar el sistema de hidromasaje una vez que se haya apagado automáticamente, apártese a un lado y pulse el icono de encendido en el teclado para reactivar el sistema.
- Si usted se siente débil o mareado en cualquier momento durante el funcionamiento del sistema de hidromasaje, salga de inmediato del flujo de agua, apague la unidad pulsando el botón de encendido y salga del cuarto.



Teclado iluminado

Uso del teclado de control

- **Encendido/apagado principal** - Enciende y apaga el teclado, la bomba del sistema de hidromasaje y el calentador.
- **Flecha hacia arriba** - Aumenta el flujo de agua de los inyectores corporales.
- **Flecha hacia abajo** - Disminuye el flujo de agua de los inyectores corporales.
- **Encendido/apagado del calentador** - El calentador se activa automáticamente cuando la bomba está encendida. Oprima el icono del calentador para apagarlo. Vuelva a pulsar el icono para encender el calentador. El calentador le ayudará a mantener la temperatura del agua hasta 104° F (40° C).
- **Barra indicadora** - Muestra el volumen del flujo de agua en los distintos modos.



Uso del mando a distancia

- El mando a distancia pone al alcance de su mano todas las funciones del teclado para realzar aún más la experiencia de hidromasaje. Las funciones del mando a distancia son idénticas a las del teclado. Puede encender y apagar tanto el sistema como el calentador y aumentar o disminuir el flujo de los inyectores corporales.
- El mando a distancia sumergible está diseñado para usarse en la bañera y flota en el agua.
- El mando a distancia funciona con dos pilas "AAA". Para cambiarlas, desatornille simplemente la tapa del extremo e inserte las pilas como se ilustra más arriba. Apriete la tapa del extremo firmemente, y asegúrese de que esté en contacto con el sello.

Programación del mando a distancia

NOTA: La programación del mando a distancia no es necesaria generalmente. Si existe más de un dispositivo que utilice un mando a distancia en su casa o en las proximidades, puede que necesite programarlo para que funcione con el teclado. Es posible que necesite programar el mando a distancia si lo reemplaza o cambia el control de la bomba.

- Encienda el sistema de hidromasaje
- Apague todos los modos de funcionamiento. Espere aproximadamente un minuto hasta que el teclado se oscurezca por completo (modo en espera).
- Oprima la flecha hacia arriba, la flecha hacia abajo y el botón del calentador en el teclado simultáneamente. El diodo emisor en la parte inferior de la barra indicadora del teclado comenzará a iluminarse de forma intermitente.
- Mientras el diodo emisor esté intermitente, oprima el botón del calentador en el teclado. Una secuencia de luces se iluminará de arriba a abajo en la barra indicadora.
- Oprima cualquier botón del mando a distancia mientras la secuencia de luces de la barra indicadora esté activada. El programa se descargará y el teclado se oscurecerá. El teclado sólo responderá a este mando a distancia.

Cumple las normas del FCC

Identificador del FCC: N82-KOHLER001

Identificador de Canadá: 4554A-KOHLER001

Declaración de conformidad (Sección 15.19)

Este aparato cumple con la sección 15 de las Normas del FCC y con la RSS-210 de la Industria del Canadá. El funcionamiento está sujeto a las dos condiciones siguientes:

1. Este dispositivo no debe causar interferencias perjudiciales, y:
2. Este dispositivo debe aceptar cualquier interferencia recibida, incluyendo las interferencias que causen un funcionamiento no deseado

Cumple las normas del FCC (cont.)

Advertencia (Sección 15.21)

Cualquier cambio o modificación que no haya sido aprobado expresamente por las partes responsables de cumplir con las normas de conformidad puede anular el derecho de los usuarios para utilizar el producto.

Cuidado y limpieza

Limpie su sistema de hidromasaje

Limpie su sistema de hidromasaje dos o más veces al mes, dependiendo del uso. Para ello:

- Llene la pileta con agua caliente, al menos 3" (7,6 cm) por encima de la parte superior de la tapa de succión.
- Añada al agua dos cucharaditas de detergente para lavaplatos que espume poco y media taza (115 ml) de cloro (lejía).
- Haga funcionar el sistema de hidromasaje de 5 a 10 minutos con los ocho inyectores corporales funcionando al mismo tiempo. Apague el sistema y vacíelo.
- Llene la pileta con agua fría, al menos 3" (7,6 cm) por encima de la parte superior de la tapa de succión. Haga funcionar el sistema de hidromasaje de 5 a 10 minutos más con los ocho inyectores corporales. Vacíe la pileta y séquela con un paño limpio y suave.

Limpieza de las superficies exteriores

- Utilice un jabón suave y agua para limpiar la unidad. Seque toda la superficie con un paño limpio y suave. Muchos limpiadores contienen químicos abrasivos, como el amoníaco, que pueden dañar el acabado y no se recomiendan para la limpieza.
- No utilice productos de limpieza o disolventes abrasivos en la unidad.

Limpieza de las paredes y de la pileta

- Los distintos materiales de la pared y de la pileta requieren productos y métodos de limpieza diferentes. Siga las instrucciones sobre el cuidado, limpieza y mantenimiento suministradas por el fabricante y el distribuidor de los materiales de la pared y la pileta.

Limpieza de la puerta

Para las puertas de recintos de Kohler:

- Una rutina simple de limpieza diaria mantendrá su puerta como nueva. Aplique un limpia vidrios con una esponja limpia y enjuague el área de inmediato.
- Las condiciones del agua en diversos lugares del país pueden exigir una mayor limpieza.
- Kohler no recomienda el uso de limpiadores químicos abrasivos fuertes. Los limpiadores abrasivos dañarán el acabado de metal y vidrio de su puerta.
- Reemplace los sellos cuando muestren señales de desgaste, amarillez o de fugas. Para las piezas de repuesto, comuníquese con el distribuidor donde compró la puerta de recinto.

Para las puertas de recinto de otra marca:

- Siga las instrucciones de cuidado y limpieza del fabricante de la puerta.

Garantía limitada de un año — Estados Unidos y Canadá

Se garantiza que los aparatos sanitarios, la grifería y los accesorios de KOHLER® están libres de defectos de material y fabricación durante un año a partir de la fecha de instalación.

Kohler Co., a su elección, reparará, reemplazará o hará los ajustes apropiados en los casos en que la

Garantía limitada de un año — Estados Unidos y Canadá (cont.)

inspección realizada por Kohler Co. demuestre la presencia de cualquier defecto ocurrido con el uso normal en el transcurso de un año desde la fecha de la instalación. Kohler Co. no se hace responsable por los gastos de instalación o remoción.

Para obtener el servicio de garantía, comuníquese con Kohler a través de su distribuidor, contratista de plomería o distribuidor a través de Internet, o escriba directamente a: Kohler Co., Att: Customer Service Department, 444 Highland Drive, Kohler, WI 53044, USA, o llame al 1-800-4-KOHLER desde los Estados Unidos, al 1-800-964-5590 desde Canadá, o al 001-877-680-1310 desde México.

Toda garantía implícita en relación a productos de uso comercial, incluyendo la comercialización e idoneidad del producto para un uso determinado, se limita expresamente a la duración de la presente garantía. Kohler Co. no se hace responsable por daños indirectos, incidentales o emergentes. Algunos estados no permiten limitaciones en cuanto a la duración de la garantía implícita o a la exclusión o limitación de daños incidentales o de consecuencia, por lo que es posible que estas limitaciones y exclusiones no le afecten. La presente garantía le otorga ciertos derechos legales específicos. Adicionalmente, es posible que usted cuente con derechos que varían de estado a estado y provincia a provincia.

El presente documento constituye nuestra garantía exclusiva por escrito.

Notas:

1. Puede que haya leves variaciones de color entre las imágenes del catálogo y los accesorios actuales.
2. Kohler Co. se reserva el derecho de efectuar cambios en las características del producto, empaque o disponibilidad en cualquier momento, sin previo aviso.

COPYRIGHT © 1999, 2000, 2001, 2002 POR KOHLER CO.

Garantía de un año - México

KOHLER CO.

Al adquirir el producto, se recomienda verificar que todos los accesorios y componentes contenidos en el empaque estén completos.

Kohler Co. garantiza la falta de defectos de material o fabricación en este producto, por un (1) año, a partir de la fecha de compra que aparece en el recibo de compra.

1. Kohler Co. prestará servicio únicamente a los productos comercializados a través de sus distribuidores autorizados.
2. A fin de obtener el servicio de garantía, favor de presentar la factura de compra y la garantía correspondiente.
3. Kohler Co., a través de sus distribuidores autorizados, se compromete a reparar el producto defectuoso o a reemplazarlo por uno nuevo o equivalente (en caso de que el producto esté descontinuado) cuando no sea posible la reparación, sin ningún cargo al consumidor.
4. El tiempo de reparación no excederá de seis (6) semanas, a partir de la fecha de recepción del producto.
5. Se recomienda al consumidor que conserve el recibo o factura de compra como protección adicional, pues el mismo puede sustituir a la garantía, en caso de que exista discrepancia en cuanto a la validez de la misma.

EXCEPCIONES Y RESTRICCIONES

La garantía no tendrá validez en los siguientes casos:

1. Cuando el producto no se haya utilizado conforme a la instrucciones de uso y operación incluidas en el manual del usuario y cuando no se hayan observado las recomendaciones y advertencias allí contenidas.
2. Cuando el producto se haya modificado o desmantelado parcial o totalmente; o manipulado de manera negligente y, como consecuencia, haya sufrido daños atribuibles al consumidor, persona o talleres no autorizados por Kohler Co.
3. Esta garantía no cubre los daños que resulten como consecuencia de desastres naturales, tales como incendios o actos divinos, incluyendo inundaciones, tormentas eléctricas u otros. Para obtener una lista de

Garantía de un año - México (cont.)

distribuidores cerca de Ud. y así hacer valer sus derechos bajo esta garantía, llame al 001-877-680-1310.

KOHLER CO., KOHLER, WI 53044 U.S.A.

IMPORTADOR:

INTERNACIONAL DE CERÁMICA, S.A. DE C.V.

AV. CARLOS PACHECO NO. 7200

CHIHUAHUA, CHIH., MÉXICO C.P. 31060

TEL: 52 (14) 29-11-11

1. Problemas de reparación

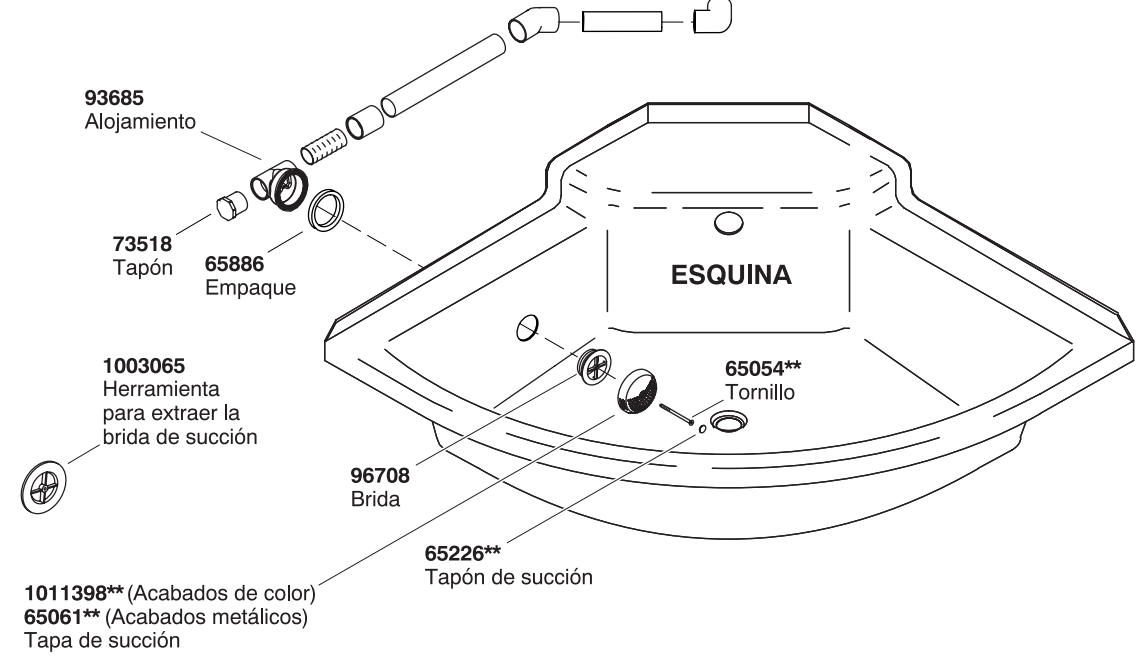
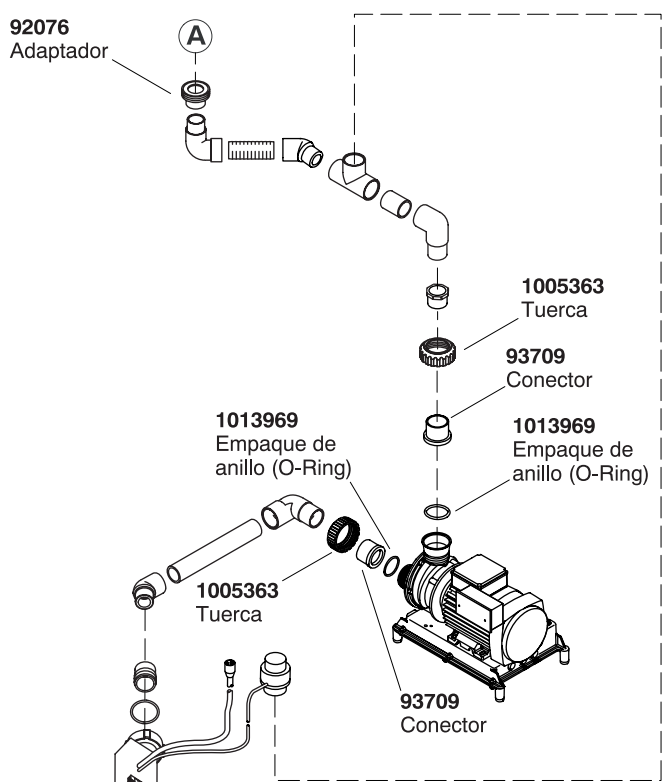
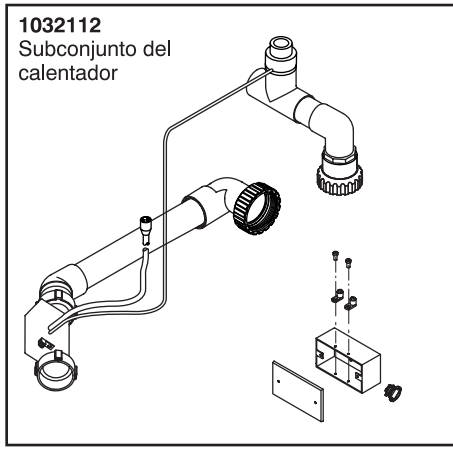
Guía de los problemas de reparación

La tabla de problemas de reparación está diseñada únicamente como ayuda general. Todos los problemas eléctricos deben ser resueltos por un representante de servicio autorizado de Kohler o un electricista calificado. Para obtener servicio cubierto por la garantía, póngase en contacto con el vendedor o el distribuidor.

| Síntomas | Causas probables | Acción recomendada |
|--|---|--|
| 1. La unidad no se enciende ni detiene. | <p>A. Ni la bomba, la toma o el teclado tienen suministro eléctrico.</p> <p>B. El arnés está bloqueado.</p> <p>C. El teclado está desconectado de la bomba/caja de control.</p> <p>D. El teclado no funciona.</p> <p>E. No hay suficiente agua en la pileta de la bañera.</p> <p>F. El montaje del motor/bomba no funciona.</p> <p>G. El control no funciona.</p> | <p>A. Encienda/reinicie el interruptor de circuito de pérdida a tierra (GFCI/ELCB). Revise el cableado. Consulte al vendedor/instalador.</p> <p>B. Elimine la obstrucción.</p> <p>C. Reconecte el teclado y/o arnés de cableado.</p> <p>D. Reemplace el teclado. Consulte al vendedor/instalador.</p> <p>E. Llene la pileta 3" (7,6 cm) por encima de la tapa de succión.</p> <p>F. Reemplace la unidad de la bomba del motor. Consulte al vendedor/instalador.</p> <p>G. Reemplace el control. Consulte al vendedor/instalador.</p> |
| 2. El flujo de agua aumenta. | <p>A. No hay suficiente agua en la pileta de la bañera.</p> <p>B. La succión está bloqueada.</p> <p>C. El arnés está bloqueado.</p> | <p>A. Llene la pileta 3" (7,6 cm) por encima de la tapa de succión.</p> <p>B. Elimine la obstrucción.</p> <p>C. Elimine la obstrucción.</p> |
| 3. El motor se enciende; no todos los inyectores corporales funcionan. | <p>A. El inyector corporal está bloqueado.</p> <p>B. El cableado de los inyectores corporales está flojo o dañado.</p> <p>C. No hay suficiente agua en la pileta de la bañera (se produce cavitación en la bomba).</p> <p>D. El teclado no funciona.</p> <p>E. El control no funciona.</p> | <p>A. Elimine la obstrucción.</p> <p>B. Identifique la causa del problema y corríjalo, o reemplace los cables. Consulte al vendedor/instalador.</p> <p>C. Llene la pileta 3" (7,6 cm) por encima de la tapa de succión.</p> <p>D. Reemplace el teclado. Consulte al vendedor/instalador.</p> <p>E. Reemplace el control. Consulte al vendedor/instalador.</p> |

Problemas de reparación (cont.)

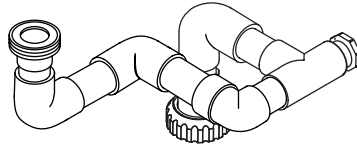
| Síntomas | Causas probables | Acción recomendada |
|--|---|--|
| 4. La unidad se detiene automáticamente antes de 18 minutos. | A. El interruptor de circuito (GFCI) se ha disparado. B. El motor se ha recalentado, activando el dispositivo de protección. | A. Encienda/reinicie el interruptor de circuito de pérdida a tierra (GFCI/ELCB). B. Compruebe que el espacio de aire alrededor de la caja de la bomba no sea limitado, y que la ventilación del motor y la succión/arnés no estén obstruidos. Corrija el problema y permita que el motor se enfríe. |
| 5. La unidad no se detiene automáticamente tras 22 minutos. | A. El mecanismo del temporizador se ha desactivado accidentalmente. | A. Consulte el manual de mantenimiento. Consulte al vendedor/instalador. |
| 6. Funcionamiento ruidoso. | A. No hay suficiente agua en la pileta de la bañera. B. Las cintas metálicas (si es pertinente) de la bomba no se han cortado. | A. Llene la pileta 3" (7,6 cm) por encima de la tapa de succión. B. Corte las cintas metálicas. |
| 7. El mando a distancia no funciona. | A. El mando a distancia no está programado. | A. Reprograme el mando a distancia según las instrucciones. |



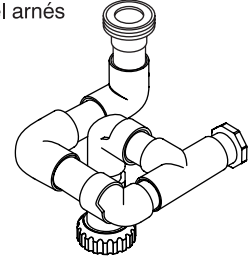
****Se debe especificar el código del acabado/color con el pedido.**

Piezas de repuesto

1032131 (K-1036-H2)
Subconjunto del arnés

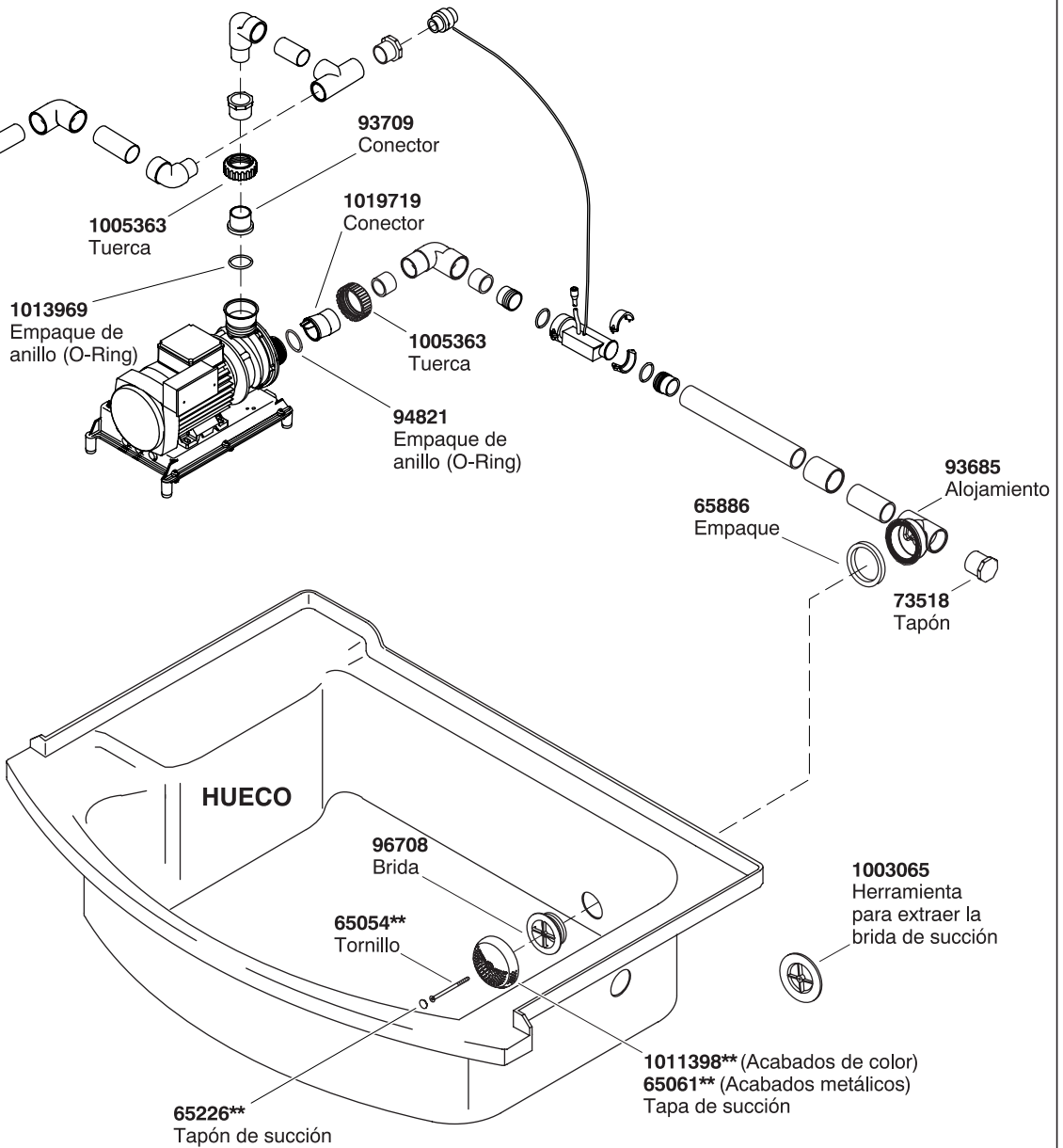


1032123 (K-1035-H2)
Subconjunto del arnés

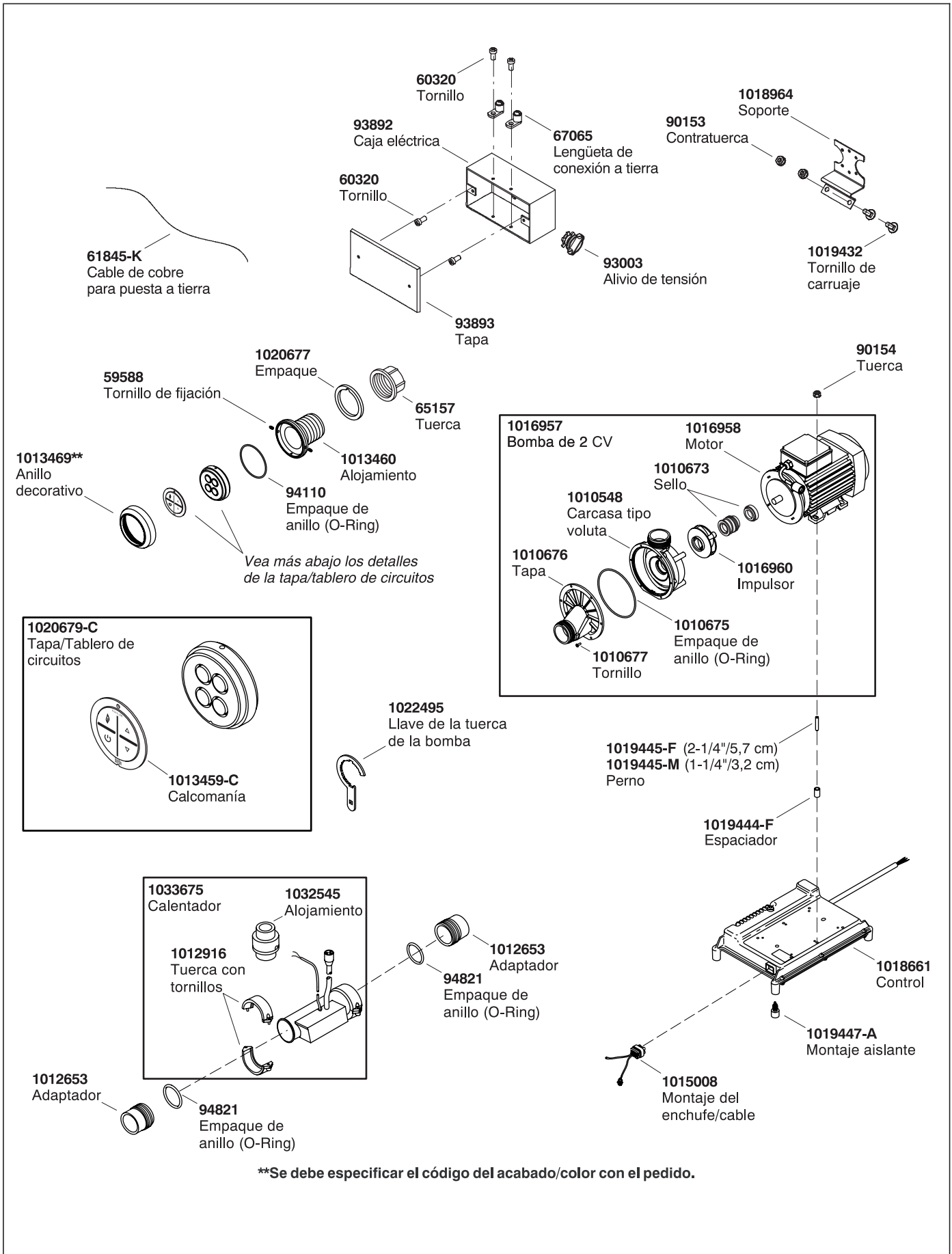


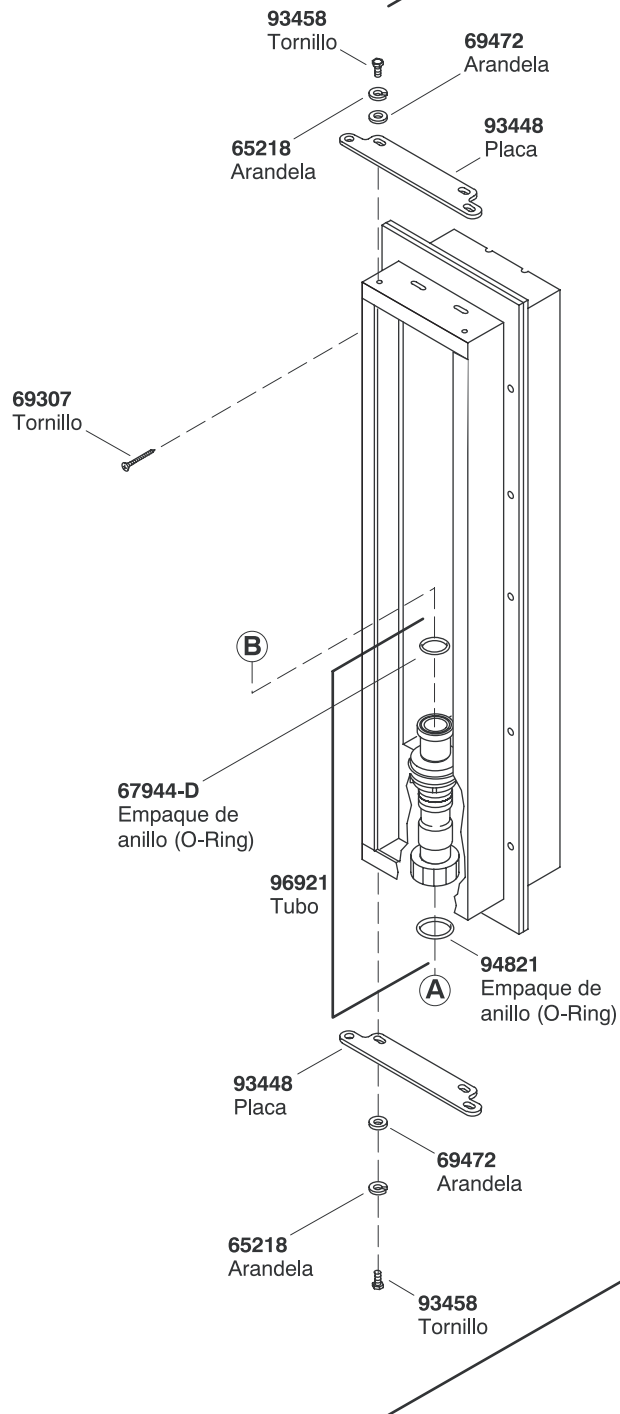
92076
Adaptador

A



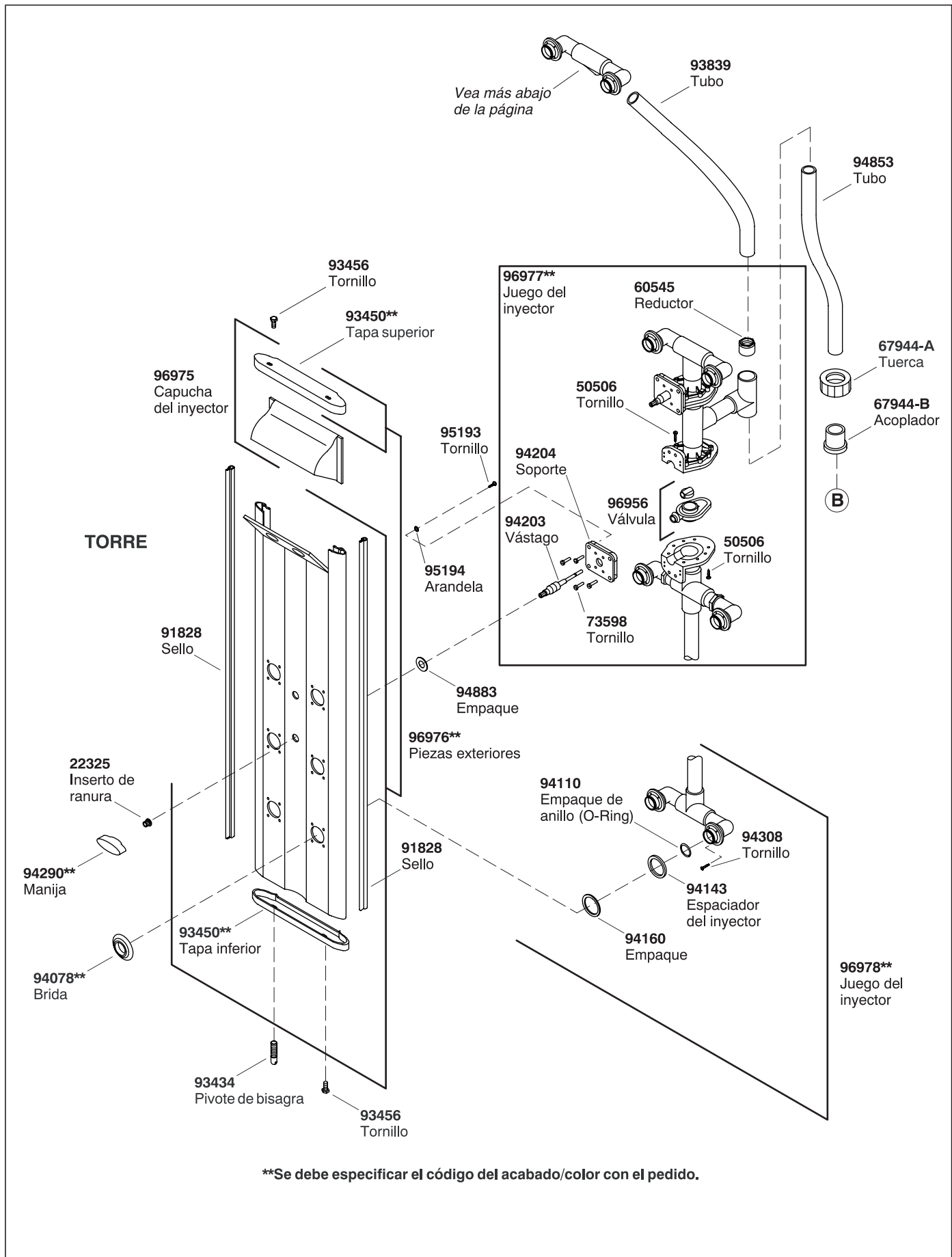
****Se debe especificar el código del acabado/color con el pedido.**

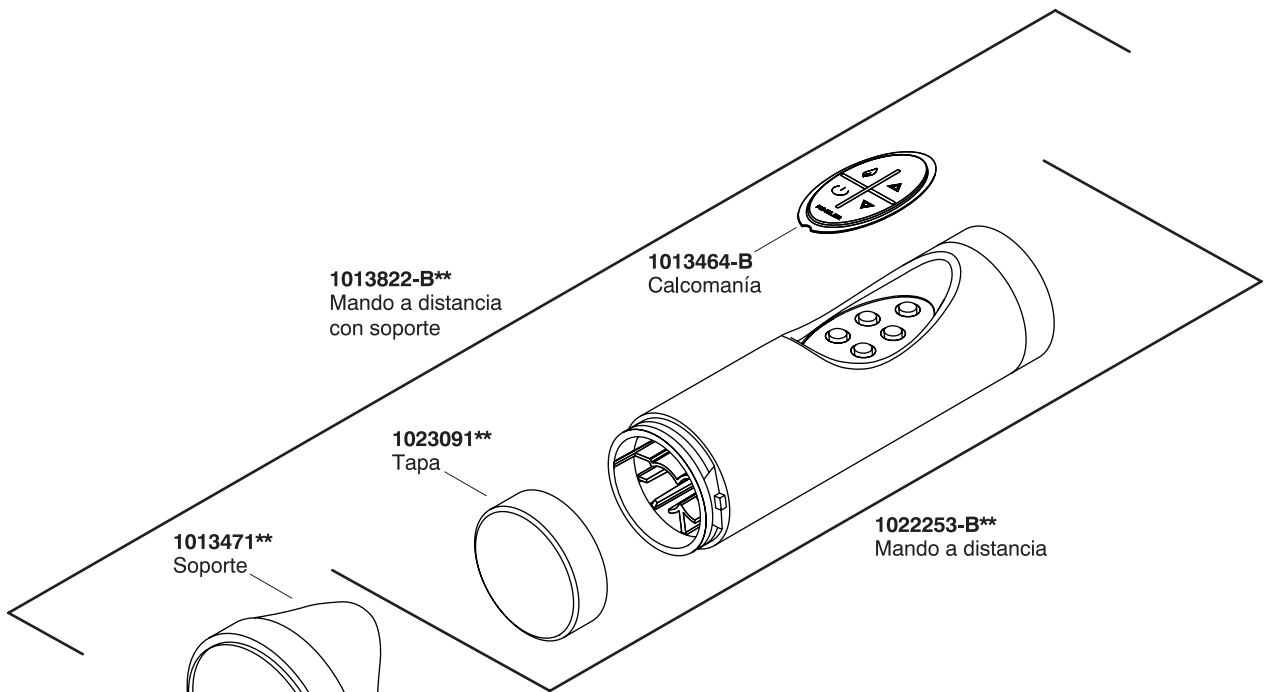




**MATERIAL DE
FERRETERÍA PARA EL
MONTAJE DE LA TORRE**

****Se debe especificar el código del acabado/color con el pedido.**





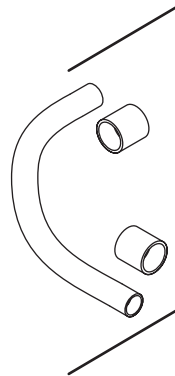
1013822-B**
Mando a distancia
con soporte

1013464-B
Calcomanía

1023091**
Tapa

1013471**
Soporte

1022253-B**
Mando a distancia



93836 (1/2")
93838 (1")
93839 (1-1/4")
94853 (1-1/2")
Tubo (con acopladores)

****Se debe especificar el código del acabado/color con el pedido.**

USA: 1-800-4-KOHLER
Canada: 1-800-964-5590
México: 001-877-680-1310

kohler.com

THE BOLD LOOK
OF **KOHLER**®

©2003 Kohler Co.

1032110-5-A