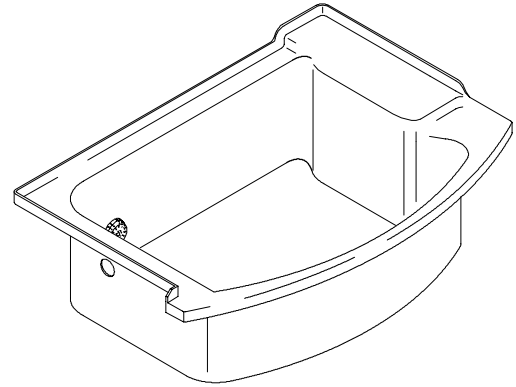


FEATURES

- 54" (137.2cm) x 44-1/4" (112.4cm) x 13" (33cm)
- Acrylic
- 2 hp variable speed pump, 4kW heater and suction housing
- Backlit user control and remote
- Outlet at left or right
- Recirculating pump delivers flows up to 80 gallons (302.8L) per minute of powerful hydro-massage
- Order one Tower, Bath/Footbath, and Enclosure for each complete BodySpa™ installation

K-1035-H2, K-1036-H2



CODES/STANDARDS APPLICABLE

Specified model meets or exceeds the following:

- ANSI Z124.1
- ASME A112.19.7
- IAPMO/UPC
- Underwriters Laboratories (UL)
- State of Massachusetts

COLORS/FINISHES

- 0 White
- Other Refer to Fixtures Price Book for additional colors

Accessories:

- CP Polished Chrome
- PB Polished Brass
- SS Satin Silver
- SB Satin Brass
- Other Refer to Faucets Price Book for additional finishes

SPECIFIED MODEL:

Model	Description	Colors/Finishes		
K-1035-H2	Footbath with outlet at left	<input type="checkbox"/> 0 White	<input type="checkbox"/> Other _____	
K-1036-H2	Footbath with outlet at right	<input type="checkbox"/> 0 White	<input type="checkbox"/> Other _____	
Required Accessories				
K-1030	BodySpa™ 8-Jet Tower	<input type="checkbox"/> CP	<input type="checkbox"/> PB	<input type="checkbox"/> Other _____
K-5161-L	Alcove enclosure (shower doors)	<input type="checkbox"/> SS	<input type="checkbox"/> SB	<input type="checkbox"/> 0 White
Recommended Accessories				
K-7160-AF	Drain	<input type="checkbox"/> CP	<input type="checkbox"/> PB	
K-1099	Taboret Rite-Temp™ OR	<input type="checkbox"/> CP	<input type="checkbox"/> PB	
K-1098	Taboret Two-handle	<input type="checkbox"/> CP	<input type="checkbox"/> PB	

PRODUCT SPECIFICATION:

The footbath shall be 54" (137.2cm) in length, 44-1/4" (112.4cm) in width, and 13" (33cm) in height. Footbath shall be made of acrylic. Footbath shall have 2 hp variable speed pump, 4 kW heater and suction housing. Footbath shall have an outlet at left or right. Footbath recirculating pump shall deliver flows up to 80 gallons (302.8L) per minute of powerful hydro-massage. Footbath shall be configured with BodySpa™ 8-Jet Tower, and BodySpa™ Enclosure. Footbath shall be Kohler Model K-_____-_____.

PRODUCT INFORMATION

Fixture*:	basin area	top area	weight
Bathing well	44" (111.8cm) x 36" (91.4cm)	45" (114.3cm) x 37" (94cm)	110 lbs. (50 kg)
	water depth	capacity	
To overflow	8-1/4" (21cm)	43 gal. (162.7L)**	
* Approximate measurements for comparison only. ** 37 gallon (140L) min. required for BodySpa™ operation.			
Variable-speed pump	2 HP	220-240 V	50/60 Hz 6 A
Heater	4 kW	220-240 V	50/60 Hz 15 A
Minimum access panel for pump/control:			
29" (73.7cm) W x 14" (35.6cm) H		required	

REQUIRED ELECTRICAL SERVICE

Two dedicated circuits required, each protected with Class A Ground-Fault Circuit-Interrupter (GFCI/ELCB)	
Pump/control	220-240 V, 20 A, 50/60 Hz
Heater	220-240 V, 20 A, 50/60 Hz

INSTALLATION NOTES

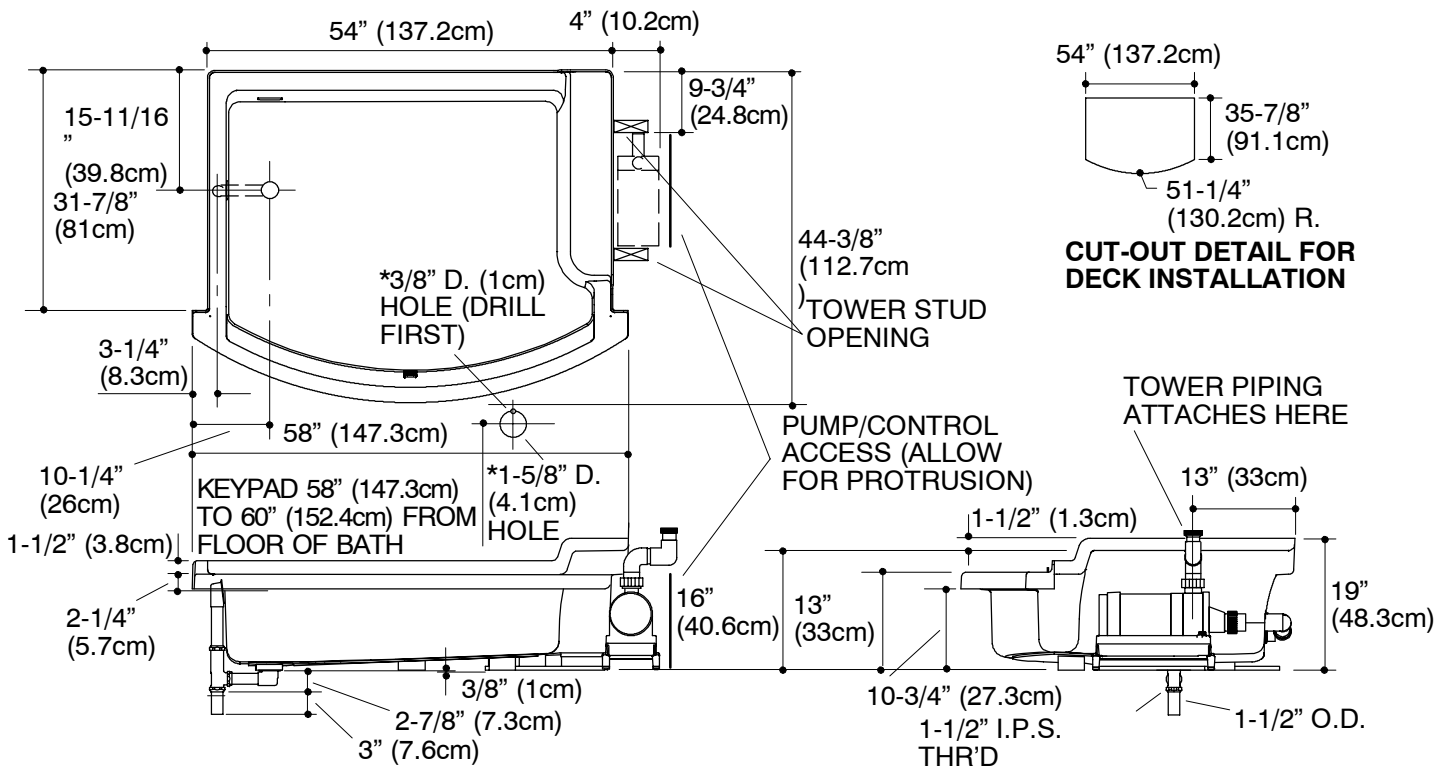
Install this product according to the installation guide. Stud placement is critical. Follow installation instruction for stud pocket preparation. Allow for pump protrusion. Locate keypad so the 8' (2.4m) control cable is within reach of the control box.

Allow 83-1/2" (212.1cm) to 84" (213.4cm) from sub-floor to finished ceiling or header for proper enclosure installation. Enclose top of unit to retain heat and contain water spray. The BodySpa™ is not designed for steam applications, and may not perform satisfactorily as a steam unit.

No change in measurements if connected with drain illustrated. (K-7160-AF or K-7160M-AF)

*Keyhole for keypad: Drill 3/8" D. (1cm) hole first at top. Drill 1-5/8" D. (4.1cm) hole second.

Blind installation on backside requires 1-7/8" D. (4.8cm) to 2-1/2" D. (6.4cm) hole for keypad nut.



PRODUCT DIAGRAM