

Product Information

Applicable product:	
Steam generator	K-1657 (shown)
Steam assembly and control panel	K-1663 (required)

Water and drain requirements:	
Water supply	3/8" copper line, 3/8" NPT female thread
Steam line	1/2" copper line, 1/2" NPT female thread
Pressure relief valve	3/4" NPT female thread, valve supplied
Drain line	3/8" copper line, 3/8" NPT female thread, ball valve supplied
Generator:	
Weight	19-1/2 lbs (8.8 kg)
Electrical rating	240 V, 60 Hz, 35 A

Required Electrical Service

Dedicated circuit required:	
Generator	7 kW, 240 V, 50 A, 60 Hz

Installation Notes

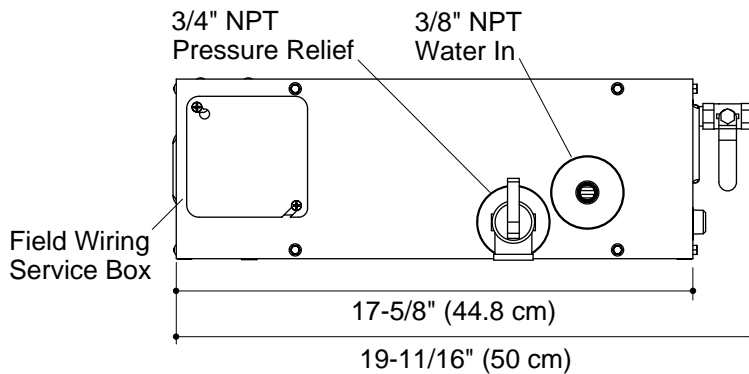
Install this product according to the installation guide.

Fixture dimensions are nominal.

Calculate the area of the enclosure (length x width x height).

For this steam generator, do not exceed the rating by material:

Acrylic or gel coat	340 cubic feet (9.6 cubic meters)
Corian (ceramic tile on sheet rock)	225 cubic feet (6.4 cubic meters)
Glass tile	165 cubic feet (4.7 cubic meters)
Natural stone tile 3/8" (1 cm) to 1/2" (1.3 cm)	135 cubic feet (3.8 cubic meters)
Natural stone slab 3/4" (1.9 cm) to 1" (2.5 cm)	120 cubic feet (3.4 cubic meters)



Minimum required access is
20" (50.8 cm) L x 13" (33 cm) H x
6-1/2" (16.5 cm) W.

