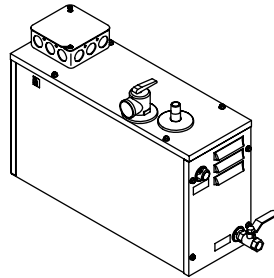


Installation Guide

Steam Generator and Control Kit

K-1652, K-1657, K-1658,

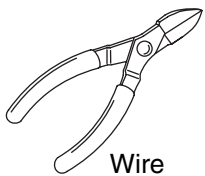
K-1659



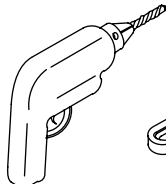
M product numbers are for Mexico (i.e. K-12345**M**)
Los números de productos seguidos de **M** corresponden a México
(Ej. K-12345**M**)
Français, page "Français-1"
Español, página "Español-1"

THE BOLD LOOK
OF **KOHLER**®

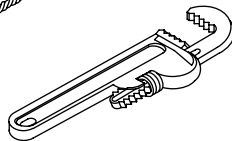
Tools and Materials



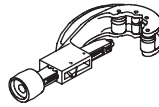
Wire
Cutter



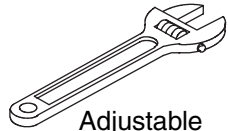
Drill



Pipe
Wrench



Tubing
Cutter



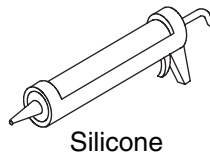
Adjustable
Wrench



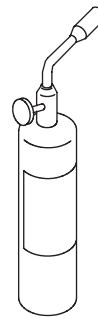
Solder



Flux



Silicone
Gun



Propane
Torch



Sealant
Tape

Plus:

- Tube-Flaring Tool
- 1-1/4" and 2-1/2" Masonry Bits
- Drain/Spill Pan
- Other Tools as Required

Before You Begin

IMPORTANT! When using this unit, basic precautions should always be followed.



WARNING: Risk of personal injury. If you become uncomfortable while taking a steam bath, you should power off the unit. Cool off with the shower, open the door, or exit the unit.



WARNING: Risk of allergic reaction. Before adding any oils, aromatic therapies, or skin care products to the aromatherapy well, make sure they will not cause an allergic reaction to the user.



WARNING: Risk of personal injury. A steam bath can put undue stress on the body, as does any hot bath, shower, or sauna. Therefore, the steam bath may not be suitable for use if you are pregnant, have a heart condition, have high blood pressure, have circulatory problems, are under the influence of alcohol, are taking drugs or are under the care of a physician.



WARNING: Risk of personal injury. DO NOT consume alcoholic beverages or take medications/drugs prior to or when using the steam bath. Alcohol and drugs affect mental judgement and inhibit bodily functions such as heartbeat and respiration, resulting in potentially dangerous effects.



WARNING: Risk of injury to children. The steam generator is not designed to be used by children. Do not allow children to use this unit unless they are closely supervised at all times.



WARNING: Risk of scalding. Do not block the steam head or locate it near a seat or bench, as the steam head is hot during operation and may scald the user if touched.



DANGER: Risk of electrocution. Disconnect the electricity to the working area at the main breaker panel before performing these installation steps.



WARNING: Risk of property damage. There should be a minimum of 12" (30.5 cm) of air space around the steam generator at all times. This provides an area for the heat generated by the unit to dissipate.



CAUTION: Risk of product damage. Do not apply excessive heat to the generator connections when soldering. Do not apply flux or acids directly to the generator as damage to the seals, plastic components, and trim finish may result. Do not apply petroleum-based lubricants to the generator components, as damage may result.



WARNING: Risk of personal injury or property damage. Do not direct the pressure relief valve to the enclosure. In the event the pressure relief valve activates, the hot water may spray causing burns to the user and/or damage to the enclosure. Therefore, the pressure relief valve should be

Before You Begin (cont.)

directed to an area where damage will not occur from contact with hot water and conform to national and local plumbing codes.



WARNING: Risk of personal injury. Do not plumb a trap in the steam line or plumb the pressure relief valve into the steam line. Plumbing the pressure relief valve into the steam line can be hazardous if the steam outlet is capped.



CAUTION: Risk of scalding hazard. Any variance in settings or water inlet conditions from those used during the factory calibration may raise the discharge temperature about the safe limit and may present a scalding hazard. This device has been calibrated at the factory to ensure a safe maximum water temperature. **Responsibility for installation and adjustment of this device in accordance with these instructions lies with the installer.**



CAUTION: Risk of product damage. Use copper or brass fittings only. Iron fittings or pipes will rust and discolor the floor and walls of the steam enclosure.

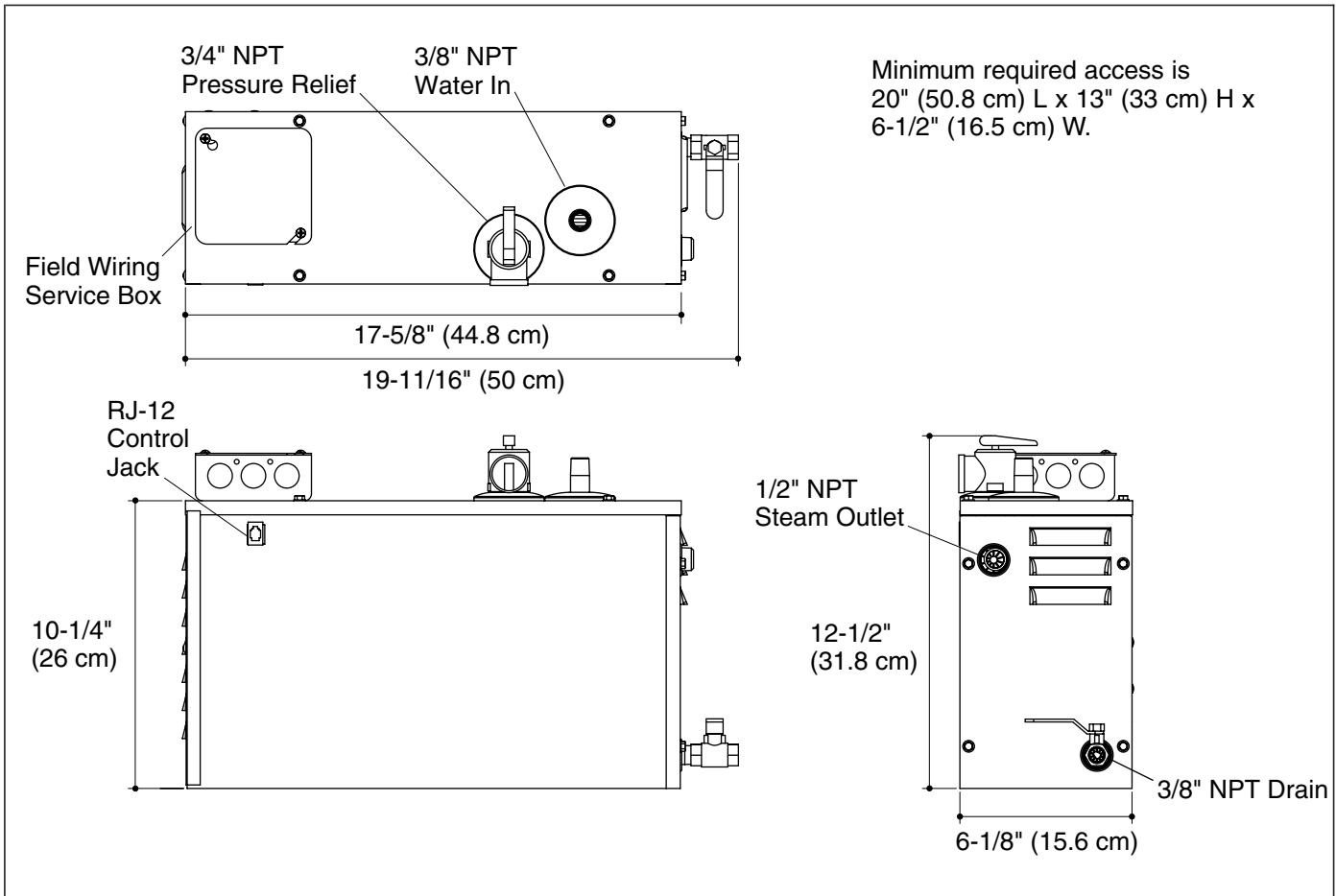
IMPORTANT! Use this unit only for its intended use as specified in this manual. **DO NOT** use attachments not recommended by Kohler Co.

IMPORTANT! It is not recommended that you use the whirlpool and the steam unit at the same time when they are both installed.

- Follow all local plumbing and electrical codes. All electrical work should be done by a licensed electrician.
- Do not install a GFCI to this unit. This will prevent nuisance tripping.
- Disconnect all power before making any electrical connections.
- Ensure the enclosure to be used is vapor proof. The enclosure should have vapor proof door seals to ensure steam does not escape. The walls and ceiling should be constructed of a material that will not be damaged by steam and hot condensation.
- The water inlet, steam outlet, and pressure relief valves should be brass unions for easy removal.
- Install a drain/spill pan under the unit.
- The generator must be upright, accessible, and on a level surface. The access panel and drain valve must be unobstructed and allow for easy access.
- The steam generator may be installed up to 25 ft. (7.62 m) away from the steam head in a dry, well-ventilated area.
- The required service access for the steam generator must be 20" (50.8 cm) in height and 13" (33 cm) in width.
- An in-line water filter is recommended to decrease the chance of blockage within the steam generator and increase the life expectancy of the steam generator.
- Pitch the steam line toward the generator and avoid perfectly level lines.
- Make sure the water is turned on to the unit and the drain is in the closed position before operating the unit.
- Before connecting the water line to the generator, flush the water line into a five gallon pail to remove any silt or other materials that may be in the line.

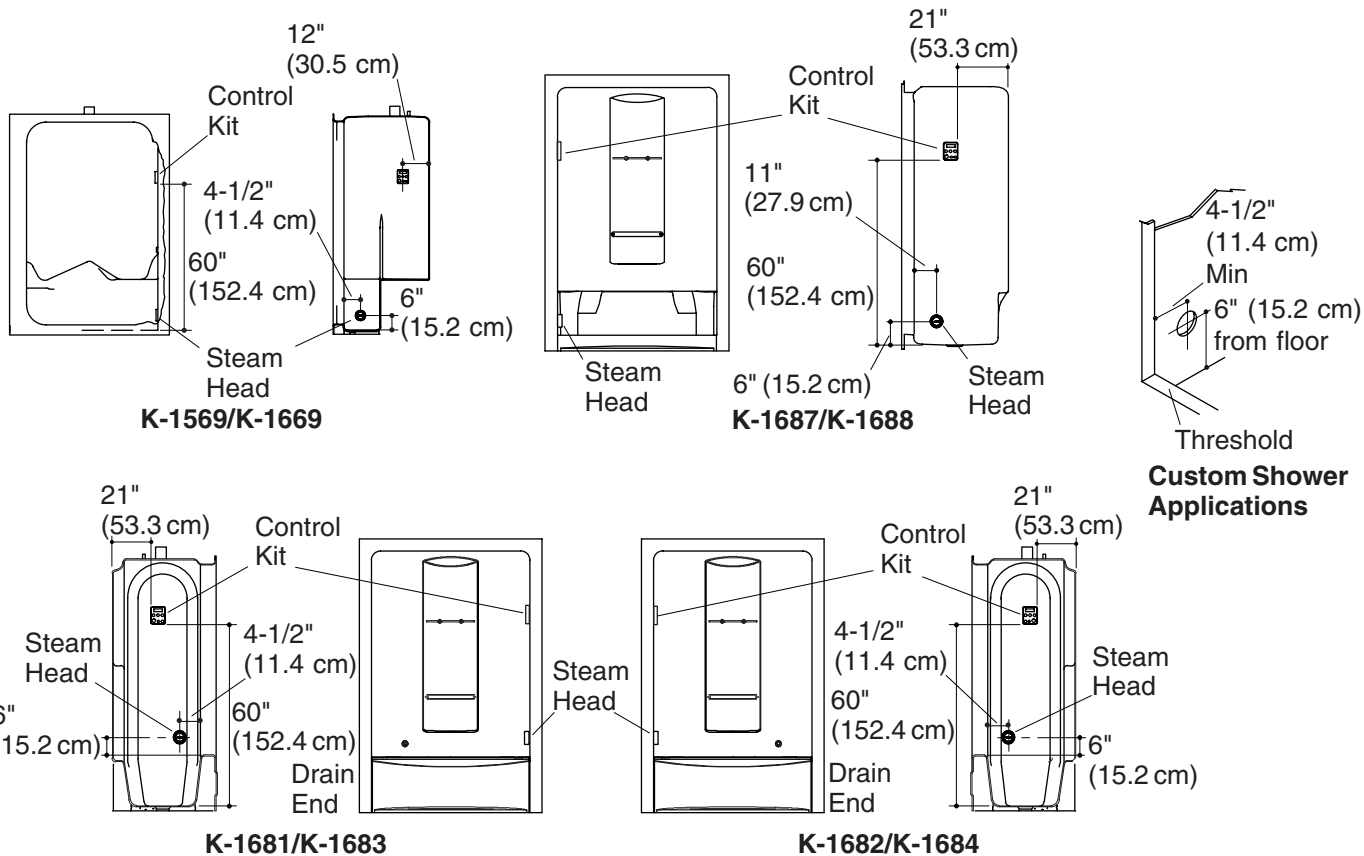
NOTE: For service and installation issues and concerns, call 1-800-585-STEAM (7832).

- Kohler Co. reserves the right to make revisions in the design of products without notice, as specified in the Price Book.



Installation Requirements

Model	K-1652	K-1657	K-1658	K-1659
Ordering Information				
Steam generator control kit (required)	K-1663-C/F	K-1663-C/F	K-1663-C/F	K-1663-C/F
Required Electrical Service				
Generator dedicated circuit (required)	5 kW, 7240 V, 30 A, 60 Hz	7 kW, 240 V, 50 A, 60 Hz	9 kW, 240 V, 50 A, 60 Hz	11 kW, 240 V, 60 A, 60 Hz
Product Information				
Weight	19-1/2 lbs (8.8 kg)	19-1/2 lbs (8.8 kg)	19-1/2 lbs (8.8 kg)	19-1/2 lbs (8.8 kg)
Electrical rating	240 V, 60 Hz, 25 A	240 V, 60 Hz, 35 A	240 V, 60 Hz, 45 A	240 V, 60 Hz, 55 A
Water supply	3/8" copper line (3/8" NPT female thread)	3/8" copper line (3/8" NPT female thread)	3/8" copper line (3/8" NPT female thread)	3/8" copper line (3/8" NPT female thread)
Steam line	1/2" copper line (1/2" NPT female thread)	1/2" copper line (1/2" NPT female thread)	1/2" copper line (1/2" NPT female thread)	1/2" copper line (1/2" NPT female thread)
Pressure relief valve (provided)	3/4" NPT female thread	3/4" NPT female thread	3/4" NPT female thread	3/4" NPT female thread
Drain line valve (provided)	3/8" copper line (3/8" NPT female thread)	3/8" copper line (3/8" NPT female thread)	3/8" copper line (3/8" NPT female thread)	3/8" copper line (3/8" NPT female thread)
Sizing The Steam Room				
	56 cu ft (1.6 cu m)	112 cu ft (3.2 cu m)	240 cu ft (6.8 cu m)	317 cu ft (9 cu m)



Steam Hardware Locations

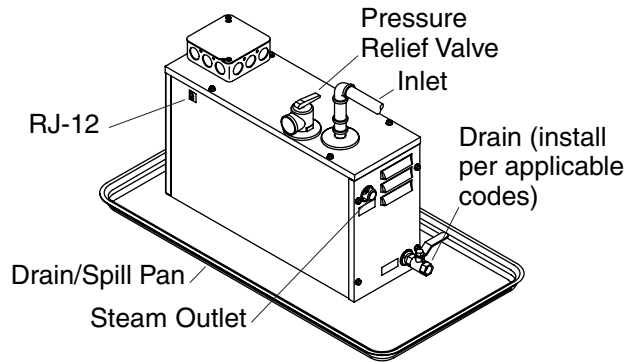


WARNING: Risk of scalding. Do not locate the steam head near a seat or bench, as the steam head is hot during operation and may scald the user if touched.

IMPORTANT! It is recommended to locate the control kit and steam head on the same wall as the plumbing controls. For optimum performance, **do not** locate the control kit directly above the steam head. Locate the steam head 6" (15.2 cm) above the floor and a minimum of 4-1/2" (11.4 cm) from the threshold. The steam head should always be located as far away from the seating area as possible.

- Identify the model number of your shower module in the illustration. If necessary, consult the Homeowners Guide included with your shower module to verify the model number. If the roughing-in dimensions for your particular model is not shown, refer to the "Custom Shower Applications" portion of the illustration.
- Determine the location of the control kit and steam head based on the roughing-in dimensions illustrated. Dimensions given in the rough-in information are crucial for proper installation.
- Locate the control kit and steam head in the location indicated. All measurements are from the inside of the module.

Maintain a 12" (30.5 cm)
space around the unit.



1. Locate the Main Unit



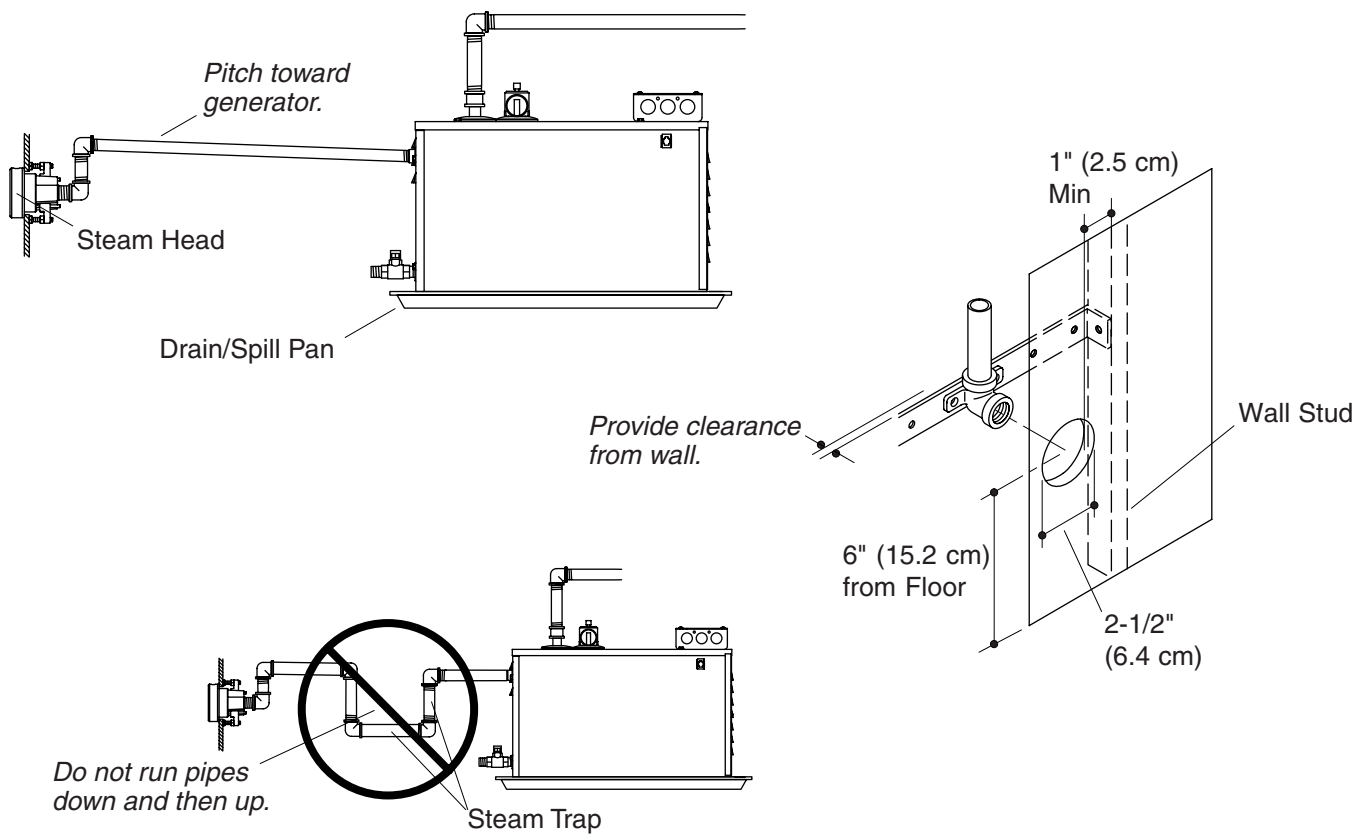
WARNING: Risk of property damage. There should be a minimum of 12" (30.5 cm) of air space around the steam generator at all times. This provides an area for the heat generated by the unit to dissipate.

IMPORTANT! The generator must be upright, accessible, and on a level surface. The access panel and drain valve must be unobstructed and allow for easy access.

IMPORTANT! The required service access for the steam generator must be 20" (50.8 cm) in height and 13" (33 cm) in width.

IMPORTANT! For optimum performance, install the steam generator below the level of the steam head and as close as possible to the steam head. The unit should be installed within 25 ft (7.62 m) of the steam head in a dry, well-ventilated area.

- Determine the location of the steam generator. Allow for a 12" (30.5 cm) air gap on all sides of the steam generator. Take into account for clearance for the required drain/spill pan (not supplied).
- Place the drain/spill pan in the determined location.
- Set the steam generator on top of the drain/spill pan.
- Confirm there is a 12" (30.5 cm) gap on all sides of the steam generator. Reposition if necessary.



2. Install the Piping



CAUTION: Risk of product damage. Do not apply excessive heat to the generator connections when soldering. Do not apply flux or acids directly to the generator, as damage to the seals, plastic components, and trim finish may result. Do not apply petroleum-based lubricants to the generator components as damage may result.



WARNING: Risk of personal injury or property damage. Do not plumb the pressure relief valve into the steam line. Plumbing the pressure relief valve into the steam line can create a hazard if the steam line is blocked or obstructed.



WARNING: Risk of personal injury. Do not plumb a trap in the steam line or plumb the pressure relief valve into the steam line. Plumbing the pressure relief valve into the steam line can be hazardous if the steam outlet is capped.



WARNING: Risk of personal injury or property damage. Do not direct the pressure relief valve to the enclosure. In the event the pressure relief valve activates, the hot water may spray causing burns to the user and/or damage the enclosure. Therefore, the pressure relief valve should be directed to an area where damage will not occur from contact with hot water and should conform to national and local plumbing codes.

IMPORTANT! When installing the control pad, allow room in the control cable for a drip loop. The drip loop will discourage moisture from following the control cable to the steam generator.

- Connect a tee to the existing cold water line.
- Install the brass shut-off valve to the tee.

IMPORTANT! The in-line water filter (recommended) must be installed between the shut-off valve and the steam generator inlet.

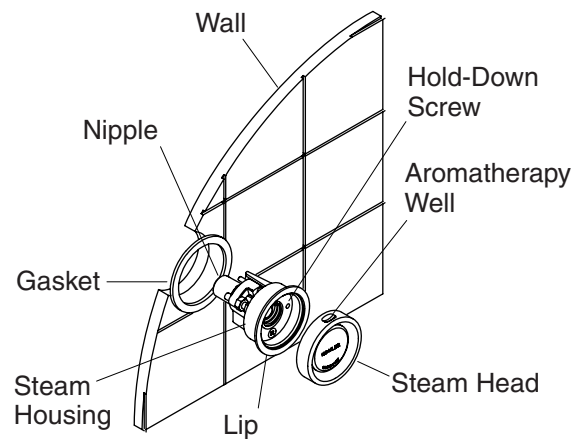
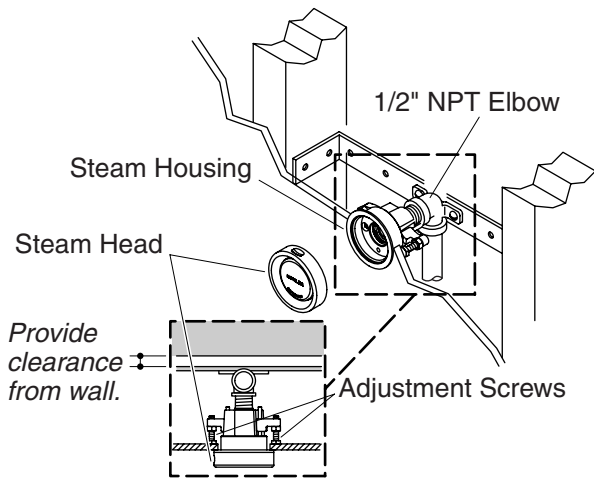
- If applicable, install the recommended in-line water filter to the shut-off valve.

Install the Piping (cont.)

- Install copper tubing from the in-line water filter (if applicable) to the inlet on the steam generator(s).
- Connect the pressure relief valve to a drain line. The drain line should meet all applicable codes.
- Before connecting the water inlet line, flush the water line into a large pail to remove any silt or other materials that may be in the line.
- Make the final connection of the water supply to the steam generator. Check for leaks.

NOTE: All Kohler steam generators are equipped with an automatic water fill system. The water will stop after the unit is full.

- Turn on the water to fill the unit.
- If the steam outlet piping run exceeds 10 ft (3 m) or is exposed to cold areas, insulate the piping with steam rated insulation.



3. Install the Steam Head

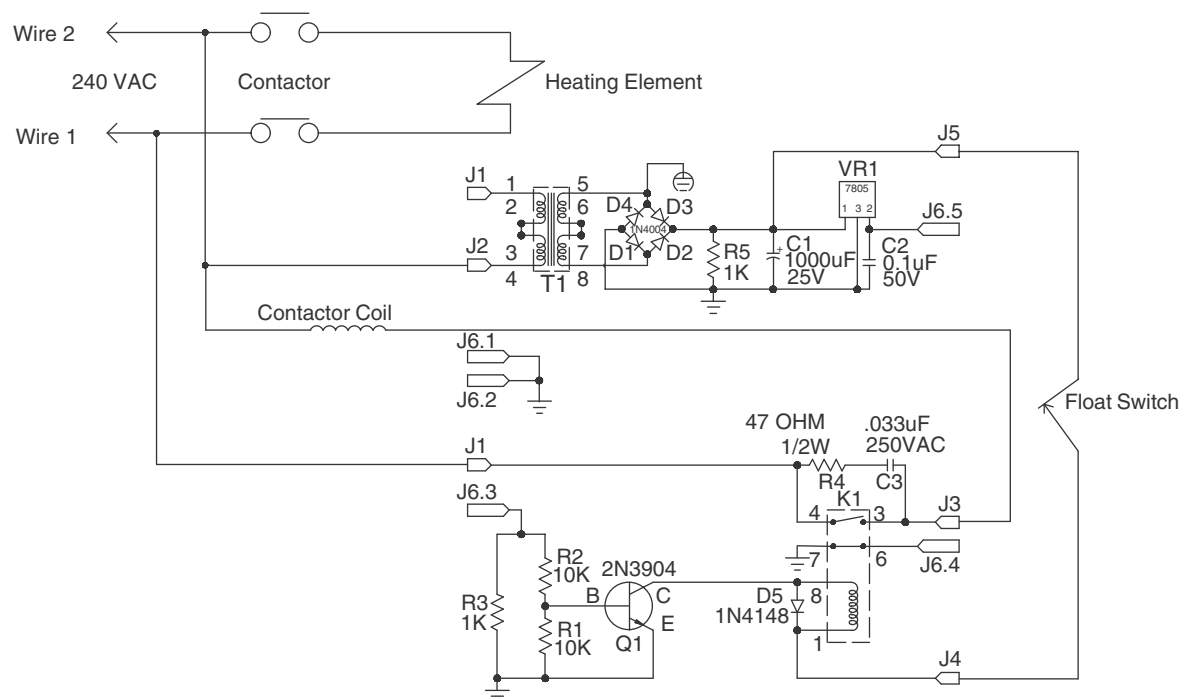


WARNING: Risk of scalding. Do not locate the steam head near a seat or bench, as the steam head is hot during operation and may scald the user if touched.

IMPORTANT! Do not obstruct the steam head with shut-off valves, plugs, or caps.

NOTE: The steam housing can be adjusted for a wall thickness of 3/16" (5 mm) to 1-1/2" (3.8 cm) using the adjustment screws located on the steam head housing.

- Position the gasket (provided) around the base of the steam housing so the gasket is between the wall and the lip of the steam housing.
- Turn the adjustment screws on the steam housing until the distance between the back edge of the steam housing and the head of each adjustment screw is equal to the wall thickness.
- Tighten the adjustment screws securely. Do not overtighten.
- Secure the steam housing to the wall by carefully tightening the hold-down screws.
- Thread the steam head clockwise onto the steam housing assembly until it is hand-tight.
- Turn the steam head counterclockwise until the aromatherapy well is located at the 12 o'clock position.
- Apply thread sealant tape to the 1/2" NPT male threads on the steam housing.
- Push the steam housing assembly through the installation hole from inside the shower.
- Complete the connection of the steam line to the steam housing.



4. Make Electrical Connections



DANGER: Risk of electrocution. Disconnect all power before performing these installation steps.

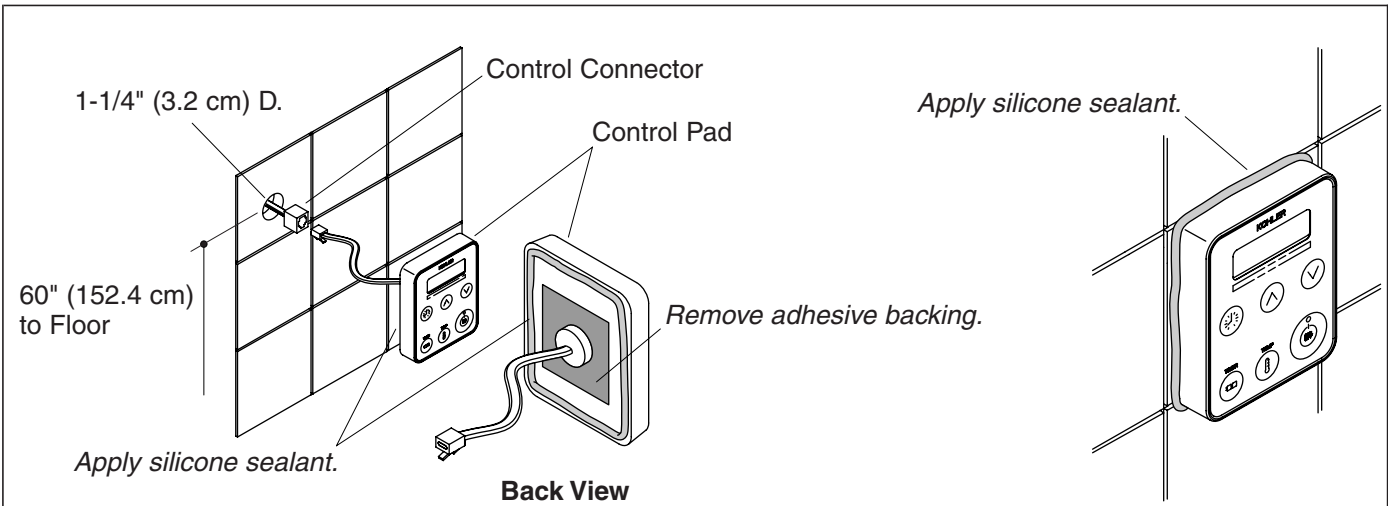
IMPORTANT! All electrical work should be done by a licensed electrician.

IMPORTANT! Do not install a GFCI to this unit. This will prevent nuisance tripping.

IMPORTANT! All electrical wiring must be done in accordance with local codes.

- Turn off all electricity to the working area at the main breaker panel.
- Connect 240 VAC electrical lines to the wires labeled "1" and "2" coming out of the steam generator.

IMPORTANT! The steam generator should have a dedicated circuit breaker.



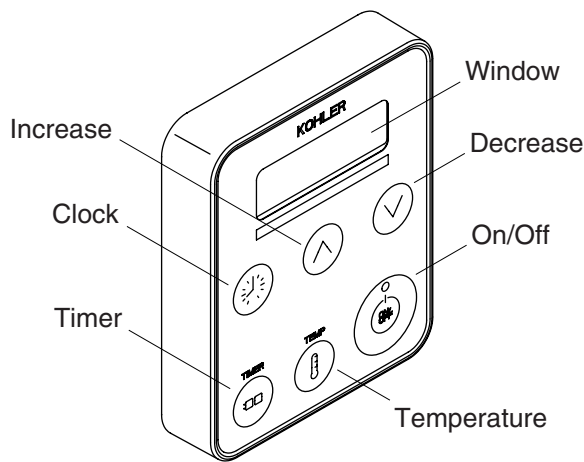
5. Install the Control Kit

IMPORTANT! Do not locate the control kit directly above the steam outlet.

- Make sure that the power is turned off at the main breaker panel before proceeding.
- Locate the control pad on the wall 60" (152.4 cm) up from the floor.
- At the selected location, drill a hole 1-1/4" (3.2 cm) in diameter.

IMPORTANT! Do not pinch, nail, wedge, or use undue force when handling the control connector and the control pad wire. Any damage may result in control kit failure. If the control pad is not installed immediately, protect the control connector with tape or other shielding material.

- Pull the control connector from the steam generator through the drilled hole.
- Carefully plug the control connector to the control pad wire using the double-end female connector (provided).
- Restore the power at the main breaker panel.
- Turn on both water and power to the generator.
- Test the control pad to ensure it is functioning properly. Refer to the "Using the Control Pad" section.
- Remove the adhesive backing from the back of the control pad.
- Apply a continuous bead of silicone sealant around the back edge of the control pad and around the perimeter of the adhesive area.
- Press the control pad firmly onto the wall.
- Apply a bead of silicone sealant around the outside edge of the control pad.
- Allow the silicone sealant to cure for 24 hours before use.



Using the Control Pad

Steam Control Operation

NOTE: The clock is always displayed in the LED window when the steam is not in use.

NOTE: The next time the unit is turned on, the steam duration and temperature settings will be based upon the previous user settings. The default setting for a new control unit is 113°F (45°C) for 20 minutes.

- **To start the unit:** Press the ON/OFF button to start the steam. The green LED light on the button will illuminate. "On" will be displayed in the LED window until the temperature reaches 90°F (32°C). The current temperature is displayed until the target temperature is reached.
- **To stop the unit:** Push the ON/OFF button again to stop the steam. The green LED light on the button turns off and the LED window displays "Off" for 5 seconds, then returns to the time of day.

Steam Control Adjustments

- Make sure the steam control unit is turned ON before making any of the following adjustments. Press the ON button to activate the steam control unit.
- **To adjust the steam temperature:** Push the TEMP button. The LED window flashes the temperature from the previous user. Press the up arrow to increase the temperature and the down arrow to decrease the temperature. After 5 seconds, the flashing will stop and the current temperature will be displayed as it changes to the target temperature.
- **To change the temperature scale:** To toggle the temperature reading between Fahrenheit and Celsius, push and hold the TEMP button for 3 seconds.
- **To set the timer:** Push the TIMER button. The LED window flashes the previous setting. Press the up or down arrows to adjust the setting. After 5 seconds, the flashing stops and the timer setting is displayed.
- **To adjust the clock:** Push the CLOCK button. The LED window flashes the current time of day setting. Press the up or down arrows to adjust the clock. After 5 seconds, the flashing stops and the set time is displayed.

Troubleshooting Guide

The troubleshooting guide is for general aid only. For service and installation issues and concerns, call 1-800-585-STEAM (7832).

Symptoms	Probable Causes	Recommended Action
1. "Err 1" appears on the control pad.	A. The power button is stuck.	A. Reset the power at the breaker.
2. "Err 2" appears on the control pad.	A. "Up button" is stuck.	A. Reset the power at the breaker.

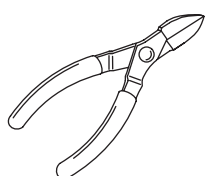
Troubleshooting Guide (cont.)

Symptoms	Probable Causes	Recommended Action
3. "Err 3" appears on the control pad.	A. "Down button" is stuck.	A. Reset the power at the breaker.
4. "Err 4" appears on the control pad.	A. "Time" button is stuck.	A. Reset the power at the breaker.
5. "Err 5" appears on the control pad.	A. Maximum heat has been exceeded. The generator is not getting enough water. B. Water feed assembly is blocked.	A. Check the water supply for proper flow. B. Remove and inspect the water feed assembly in the generator.
6. "Err 6" appears on the control pad.	A. Indicates float switch tripped for 10 seconds.	A. Shut off the system and allow it to cool.
7. "Err 7" appears on the control pad.	A. "Temperature" button is stuck.	A. Reset the power at the breaker.
8. "Err 8" appears on the control pad.	A. "Clock" button is stuck.	A. Reset the power at the breaker.
9. Unit shuts off.	A. Unit has been in operation for more than 20 minutes.	A. Turn unit back on.
10. No steam is being generated.	A. Piping not properly attached. B. Steam head blocked.	A. Reattach the pipes properly. B. Remove the steam head (after cooling) and check that the plunger slides freely in the cap.
11. There is a continuous flow of water from the steam head. Water flow during automatic purge cycle is normal.	A. Water supply incorrectly attached to steam generator. B. Water feed assembly is stuck.	A. Connect the water supply to the proper inlet. B. Remove and inspect the water feed assembly in the generator.

Guide d'installation

Générateur de vapeur et kit de contrôle

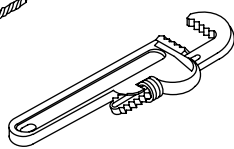
Outils et matériels



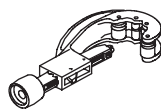
Coupe-fil



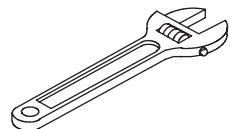
Perceuse



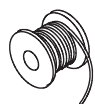
Clé à tuyau



Coupe-tuyauterie



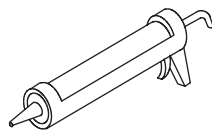
Clé à molette



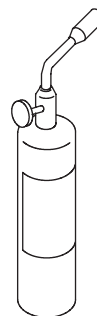
Soudure



Flux



Pistolet à calfeutrer



Chalumeau à propane



Ruban d'étanchéité

Plus:

- Mandrin pour tube
- Mèches pour maçonnerie
- Plateau de drain/déversement
- Autres outils tels que requis

Avant de commencer

IMPORTANT ! Des précautions de base devraient toujours être observées lors de l'utilisation de cette unité.



AVERTISSEMENT : Risque de blessures corporelles. Si vous devenez inconfortable lors du bain, éteindre l'unité. Se rafraîchir avec la douche, ouvrir la porte, ou sortir de l'unité.



AVERTISSEMENT : Risque d'allergie. Avant d'ajouter des huiles, thérapies aromatiques, ou produits de soin de la peau à l'aromathérapie, s'assurer que ces produits n'entraînent aucune réaction allergique à l'utilisateur.



AVERTISSEMENT : Risque de blessures corporelles. Le bain de vapeur peut infliger de la fatigue au corps, de même façon que tout bain chaud, douche, ou sauna. Par conséquent, le bain de vapeur n'est pas conseillé aux femmes enceintes, aux personnes souffrant de maladies cardiaques, d'hypertension, de problèmes de circulation, ou sous l'emprise d'alcool, de drogues ou sous traitement médical.



AVERTISSEMENT : Risque de blessures corporelles. **NE PAS** consommer de boissons alcoolisées ou de médicaments/drogues avant ou pendant l'utilisation du bain de vapeur. L'alcool et les drogues peuvent affecter les facultés mentales et inhiber certaines fonctions corporelles telles que le battement de coeur et la respiration, entraînant des effets potentiellement dangereux.



AVERTISSEMENT : Risque de blessure aux enfants. Le générateur de vapeur n'est pas conçu pour les enfants. Ne pas permettre aux enfants d'utiliser l'unité sans surveillance à tout moment.



AVERTISSEMENT : Risque de brûlures. Ne pas bloquer la tête de vapeur ou localiser près d'un siège ou banc, car elle est chaude durant l'opération et pourrait brûler l'utilisateur.



DANGER : Risque d'électrocution. Débrancher au disjoncteur principal avant de procéder à ces étapes d'installation.

Avant de commencer (cont.)



AVERTISSEMENT : Risque d'endommagement du matériel. Il doit y avoir un minimum de 12" (30,5 cm) de dégagement d'air autour du générateur de vapeur à tout moment. Ceci fournit un espace pour que la chaleur générée par l'unité se dissipe.



ATTENTION : Risque d'endommagement du produit. Ne pas appliquer de la chaleur excessive aux connexions du générateur en soudant. Ne pas mettre de décapant ou d'acides directement sur le générateur, pour éviter d'endommager les joints, composants en plastique au risque d'endommager la finition. Ne pas appliquer de lubrifiants à base de pétrole sur les composants du générateur, au risque de l'endommager.



AVERTISSEMENT : Risque de blessures ou d'endommagement du produit. Ne pas diriger la valve de décharge vers l'enceinte. Au cas où la valve de décharge s'active, l'eau chaude pourrait éclabousser et causer des brûlures à l'utilisateur et/ou endommager la cabine. Ainsi, la valve de décharge devrait être dirigée vers un endroit où un dommage ne pourrait pas avoir lieu lors du contact avec de l'eau chaude et devrait aussi être conforme aux codes nationaux et locaux de plomberie.



AVERTISSEMENT : Risque de blessures corporelles. Ne pas niveler un siphon ou une valve de décharge avec la ligne de vapeur. L'installation d'une valve de décharge à cet endroit peut être dangereux si la sortie de vapeur est bouchée.



ATTENTION : Risque de brûlures. Toute variation des réglages ou conditions d'arrivée d'eau de celles de calibration en usine pourrait augmenter la température de décharge de la limite sécurisée et causer des brûlures potentielles. Ce dispositif a été calibré en usine pour assurer une température maximale sécurisée. **La responsabilité de l'installation et du réglage de ce dispositif conformément à ces instructions incombent à l'installateur.**



ATTENTION : Risque d'endommagement du produit. Utiliser des raccords en cuivre ou en laiton uniquement. Les raccords ou les tuyaux en fer peuvent rouiller ou décolorer les murs de l'enceinte à vapeur.

IMPORTANT ! N'utiliser cette unité que pour l'usage destiné tel qu'indiqué dans ce manuel. **NE PAS** utiliser des dispositifs de fixation non recommandés par la Kohler Co.

IMPORTANT ! Il n'est pas conseillé d'employer la baignoire à hydromassage conjointement avec l'unité de vapeur lorsqu'elles sont toutes deux installées.

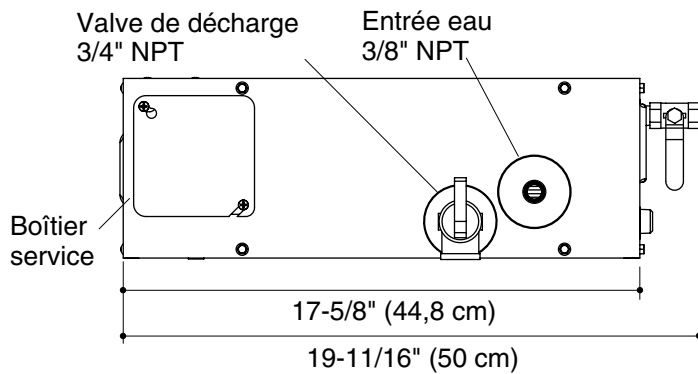
- Respecter tous les codes de plomberie et électriques locaux. Tous les raccords électriques doivent être réalisés par un électricien qualifié.
- Ne pas installer un disjoncteur de fuite à la terre sur cette unité. Cela préviendra la fusion des fusibles.
- Débrancher avant d'effectuer toute connexion électrique.
- Vérifier que l'enceinte soit étanche aux vapeurs. Les portes de l'enceinte doivent être munies de joints étanches aux vapeurs afin d'éviter la fuite de vapeur. Les murs et le plafond devraient être revêtus d'un matériau résistant à la vapeur et à la condensation d'eau chaude.
- L'arrivée d'eau, la sortie de vapeur et la valve de décharge doivent être raccordées avec des joints en laiton, pour en faciliter le démontage.
- Installer un plateau de dégivrage sous l'unité.
- Le générateur doit être droit, accessible et sur une surface nivelée. Le panneau d'accès et la valve de drain doivent être libres d'obstructions et permettre un accès facile.
- Le générateur de vapeur peut être installé jusqu'à 25 pieds (7,62 m) à l'écart de la tête de vapeur, dans un endroit sec et bien aéré.
- L'accès de service requis au générateur de vapeur doit être de 20" (50,8 cm) en hauteur et de 13" (33 cm) en largeur.
- Un filtre à eau en ligne est recommandé pour diminuer le risque de blocage au sein du générateur de vapeur et augmenter la durée de vie du générateur.

Avant de commencer (cont.)

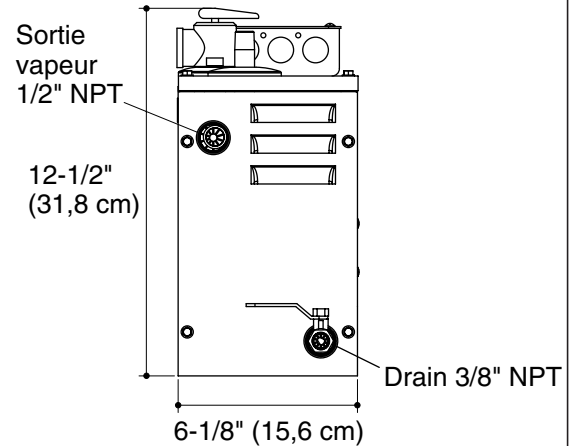
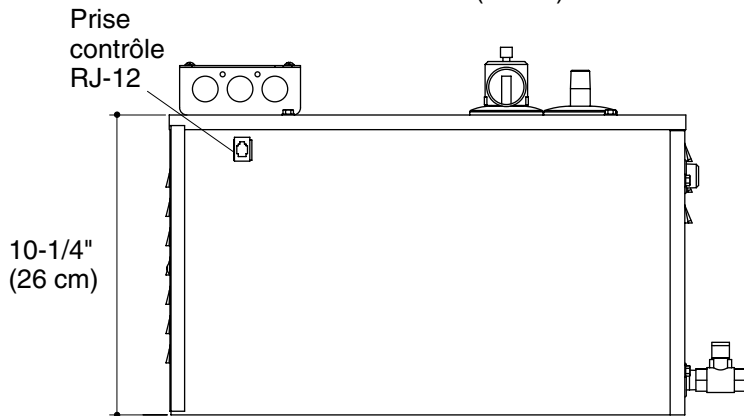
- Incliner la conduite de vapeur vers le générateur et éviter les lignes parfaitement nivelées.
- S'assurer que le robinet d'eau soit ouvert et que l'unité et le drain soient en position fermée avant d'opérer l'unité.
- Avant de raccorder la conduite d'eau au générateur, purger la ligne d'eau dans un récipient de cinq gallons pour chasser tous les débris ou autres matériaux.

REMARQUE : Pour des problèmes ou questions concernant le dépannage et l'installation, composer le 1-800-585-STEAM (7832).

- Kohler Co. se réserve le droit d'apporter toutes modifications sur le design des produits et ceci sans préavis, tel que spécifié dans le catalogue des prix.

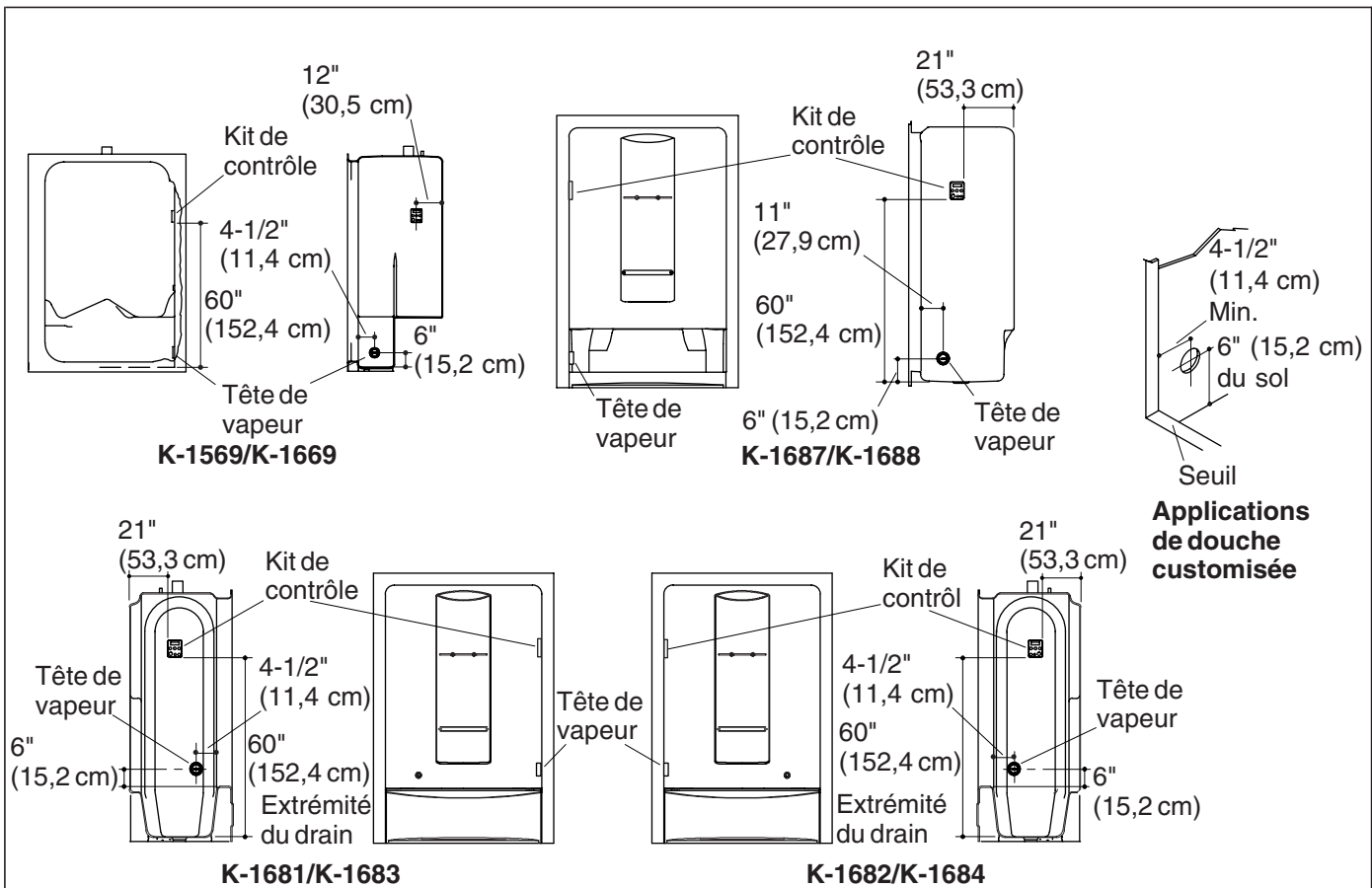


Accès minimum requis de 20" (50,8 cm) L x 13" (33" cm) H x 6-1/2" (16,5 cm) l.



Exigences de l'installation

Modèle	K-1652	K-1657	K-1658	K-1659
Information pour commander				
Kit de contrôle de générateur de vapeur (requis)	K-1663-C/F	K-1663-C/F	K-1663-C/F	K-1663-C/F
Branchement électrique requis				
Circuit dédié générateur (requis)	5 kW, 7240 V, 30 A, 60 Hz	7 kW, 240 V, 50 A, 60 Hz	9 kW, 240 V, 50 A, 60 Hz	11 kW, 240 V, 60 A, 60 Hz
Information sur le produit				
Poids	19-1/2 lbs (8,8 kg)	19-1/2 lbs (8,8 kg)	19-1/2 lbs (8,8 kg)	19-1/2 lbs (8,8 kg)
Calibrage électrique	240 V, 60 Hz, 25 A	240 V, 60 Hz, 35 A	240 V, 60 Hz, 45 A	240 V, 60 Hz, 55 A
Alimentation d'eau	Tuyau de 3/8" en cuivre (filetage femelle 3/8" NPT)	Tuyau de 3/8" en cuivre (filetage femelle 3/8" NPT)	Tuyau de 3/8" en cuivre (filetage femelle 3/8" NPT)	Tuyau de 3/8" en cuivre (filetage femelle 3/8" NPT)
Conduite de vapeur	Tuyau de 1/2" en cuivre (filetage femelle 1/2" NPT)	Tuyau de 1/2" en cuivre (filetage femelle 1/2" NPT)	Tuyau de 1/2" en cuivre (filetage femelle 1/2" NPT)	Tuyau de 1/2" en cuivre (filetage femelle 1/2" NPT)
Valve de décharge (fournie)	Filetage femelle de 3/4" NPT	Filetage femelle de 3/4" NPT	Filetage femelle de 3/4" NPT	Filetage femelle de 3/4" NPT
Valve de drain (fournie)	Tuyau de 3/8" en cuivre (filetage femelle 3/8" NPT)	Tuyau de 3/8" en cuivre (filetage femelle 3/8" NPT)	Tuyau de 3/8" en cuivre (filetage femelle 3/8" NPT)	Tuyau de 3/8" en cuivre (filetage femelle 3/8" NPT)
Évaluer la taille du bain à vapeur				
	56 pieds cubiques (1,6 mètres cubes)	112 pieds cubiques (3,2 mètres cubes)	240 pieds cubiques (6,8 mètres cubes)	317 pieds cubiques (9 mètres cubes)



Emplacements de boulonnerie de vapeur

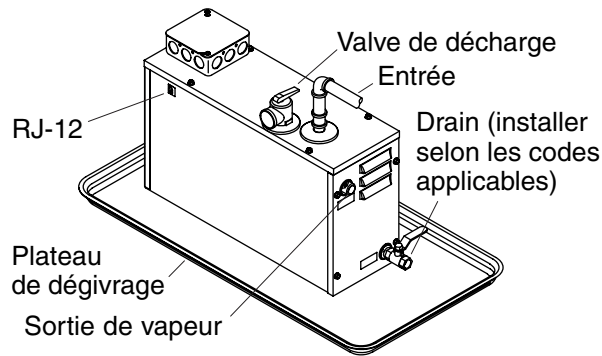


AVERTISSEMENT : Risque de brûlures. Ne pas localiser la tête de vapeur près d'un siège ou banc, car elle est chaude durant l'opération et pourrait brûler l'utilisateur.

IMPORTANT ! Il est recommandé de localiser le kit de contrôle et la tête de vapeur sur le même mur que les contrôles de plomberie. Pour une performance optimum, **ne pas** localiser le kit de contrôle directement sur la tête de vapeur. Localiser la tête de vapeur à 6" (15,2 cm) au-dessus du sol et un minimum de 4-1/2" (11,4 cm) du seuil. La tête de vapeur devrait toujours être localisée aussi loin que l'aire de repos que possible.

- Identifier le numéro de modèle du module de douche dans l'illustration. Si nécessaire, consulter le guide du propriétaire du module de douche pour vérifier le numéro de modèle. Si les dimensions de raccordement du modèle particulier ne sont pas illustrées, se référer à la portion "Applications de douche personnalisée" de l'illustration.
- Déterminer l'emplacement du kit de contrôle et la tête de vapeur basé sur les dimensions de raccordement illustrées. Les dimensions fournies dans le plan du raccordement sont cruciales pour une bonne installation.
- Localiser le kit de contrôle et la tête de vapeur dans l'emplacement indiqué. Toutes les mesures sont de l'intérieur du module.

Maintenir un espace de 12"
(30,5 cm) autour de l'unité.



1. Localiser l'unité principale



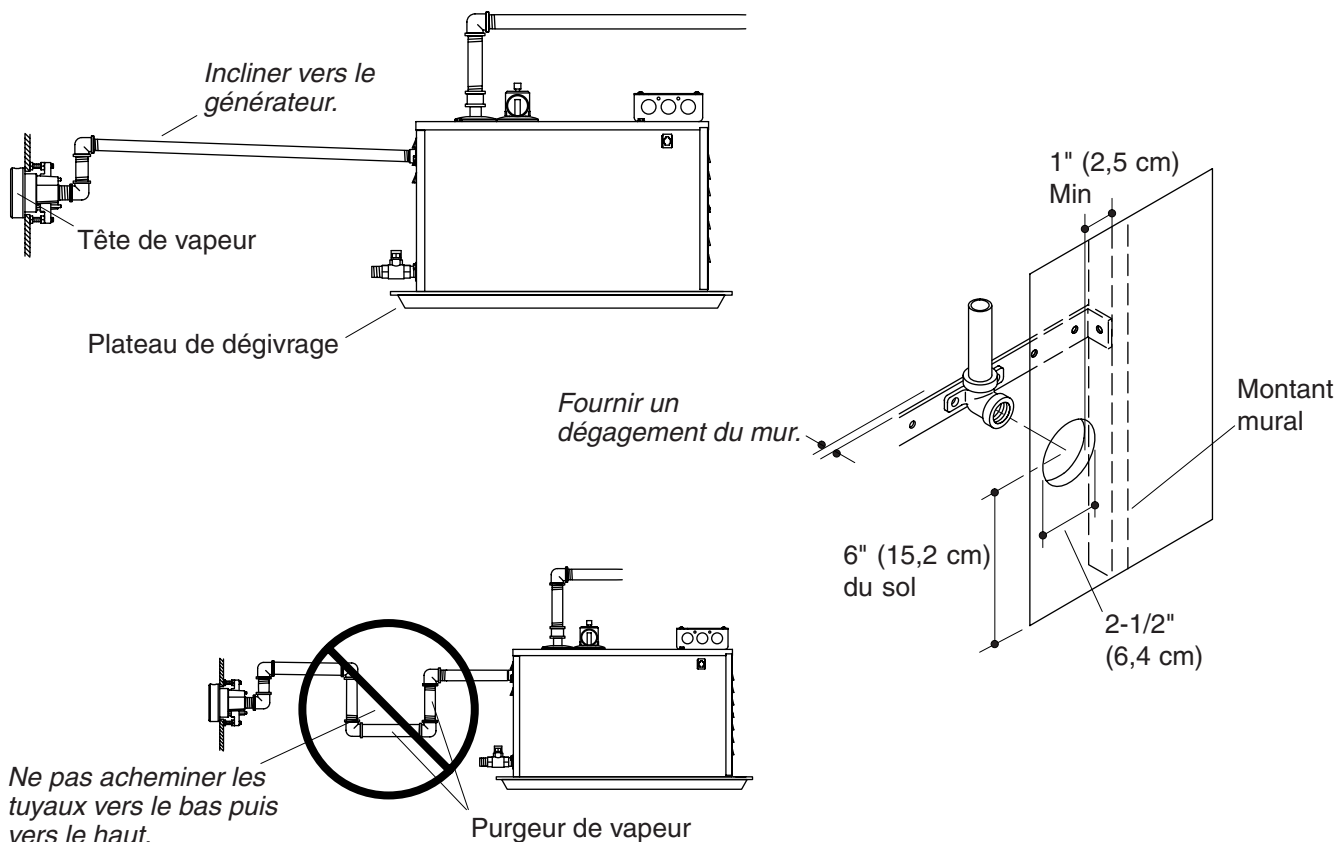
AVERTISSEMENT : Risque d'endommagement du matériel. Il doit y avoir un minimum de 12" (30,5 cm) de dégagement d'air autour du générateur de vapeur à tout moment. Ceci fournit un espace pour que la chaleur générée par l'unité se dissipe.

IMPORTANT ! Le générateur doit être droit, accessible et sur une surface nivelée. Le panneau d'accès et la valve de drain doivent être libres d'obstructions et permettre un accès facile.

IMPORTANT ! L'accès de service requis au générateur de vapeur doit être de 20" (50,8 cm) en hauteur et de 13" (33 cm) en largeur.

IMPORTANT ! Pour une performance optimale, installer le générateur de vapeur au-dessous du niveau de la tête de vapeur et aussi proche de cette dernière que possible. L'unité devrait être installée dans les 25' (762,00 cm) de la tête de vapeur dans un endroit sec et bien ventilé.

- Déterminer l'emplacement du générateur de vapeur. Permettre un passage d'air de 12" (30,5 cm) sur tous les côtés du générateur de vapeur. Prendre en compte l'espace requis pour le plateau de drain/déversement (non fourni).
- Placer le plateau de drain/déversement dans l'emplacement déterminé.
- Poser le générateur de vapeur au-dessus du plateau de drain/déversement.
- Confirmer l'existence du passage d'air de 12" (30,5 cm) sur tous les côtés du générateur de vapeur. Repositionner si nécessaire.



2. Installer la tuyauterie



ATTENTION : Risque d'endommagement du produit. Ne pas appliquer de la chaleur excessive aux connexions du générateur en soudant. Ne pas mettre de décupant ou d'acide directement sur le générateur, pour éviter d'endommager les joints, composants en plastique ou pièces internes. Ne pas appliquer de lubrifiants à base de pétrole sur les composants du générateur, au risque d'endommagement.



AVERTISSEMENT : Risque de blessures ou d'endommagement du produit. Ne pas plomber la valve de décharge dans la conduite de vapeur. Plomber la valve de décharge dans la conduite de vapeur peut être dangereux si la conduite de vapeur est bouchée ou obstruée.



AVERTISSEMENT : Risque de blessures corporelles. Ne pas niveler un siphon ou une valve de décharge avec la ligne de vapeur. L'installation d'une soupape de décharge à cet endroit peut être dangereux si la sortie de vapeur est bouchée.



AVERTISSEMENT : Risque de blessures ou d'endommagement du produit. Ne pas diriger la soupape de décharge vers l'enceinte. Au cas où la valve de décharge s'active, l'eau chaude pourrait éclabousser et causer des brûlures à l'utilisateur et/ou endommager la cabine. Ainsi, la valve de décharge devrait être dirigée vers un endroit où un dommage ne pourrait pas avoir lieu lors du contact avec de l'eau chaude et devrait aussi être conforme aux codes nationaux et locaux de plomberie.

IMPORTANT ! Lors de l'installation du clavier de contrôle, prévoir de l'espace pour un anneau d'écoulement du câble de contrôle. L'anneau d'écoulement préviendra l'humidité de s'écouler le long du câble de contrôle au générateur de vapeur.

- Raccorder un T à la ligne d'eau froide existante.
- Installer la valve d'arrêt en laiton au T.

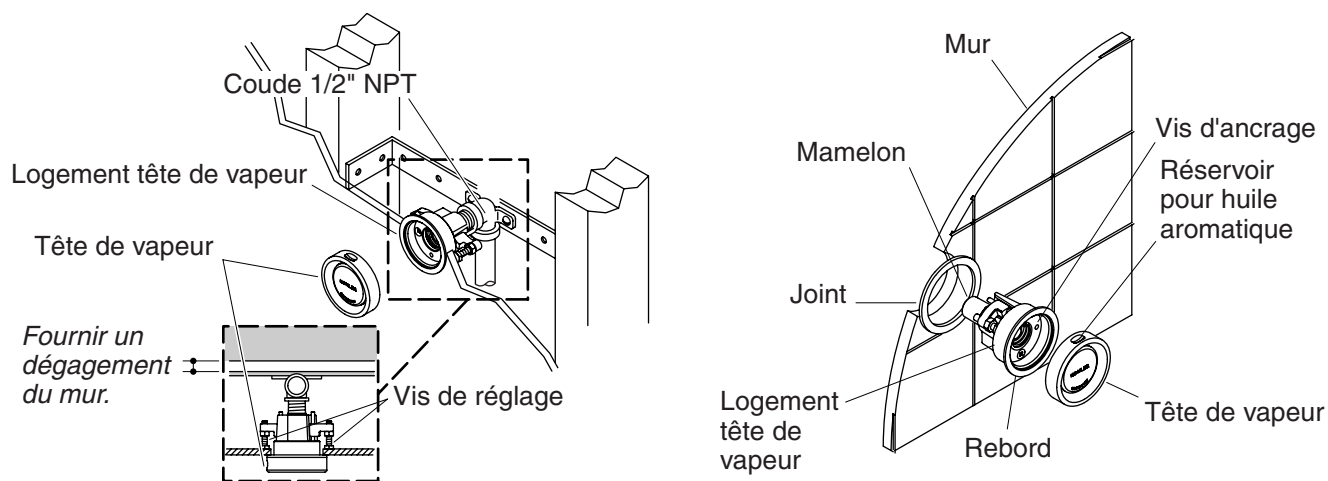
Installer la tuyauterie (cont.)

IMPORTANT ! Le filtre d'eau en ligne (recommandé) doit être installé entre la valve d'arrêt et l'entrée du générateur de vapeur.

- Si applicable, installer le filtre d'eau en ligne recommandé à la valve d'arrêt.
- Installer une tuyauterie en cuivre du filtre d'eau en ligne (si applicable) à l'entrée du (des) générateur(s) de vapeur.
- Raccorder la valve de décharge à une ligne d'évacuation. La ligne du drain devrait être conforme à tous les codes applicables.
- Avant de connecter l'entrée de la conduite d'eau, purger la ligne d'eau dans un récipient pour chasser tous les débris ou autres matériaux pouvant être présents.
- Faire la connexion finale de l'alimentation d'eau au générateur de vapeur. Vérifier s'il y a des fuites.

REMARQUE : Tous les générateurs de vapeur Kohler sont équipés d'un système de remplissage d'eau automatique. L'eau s'arrêtera lorsque l'unité est remplie.

- Ouvrir l'arrivée d'eau pour remplir l'unité.
- Si la tuyauterie de sortie de vapeur excède 10 pieds (3 m) ou est exposée à des emplacements froids, isoler cette tuyauterie avec une isolation pour vapeur.



3. Installer la tête de vapeur

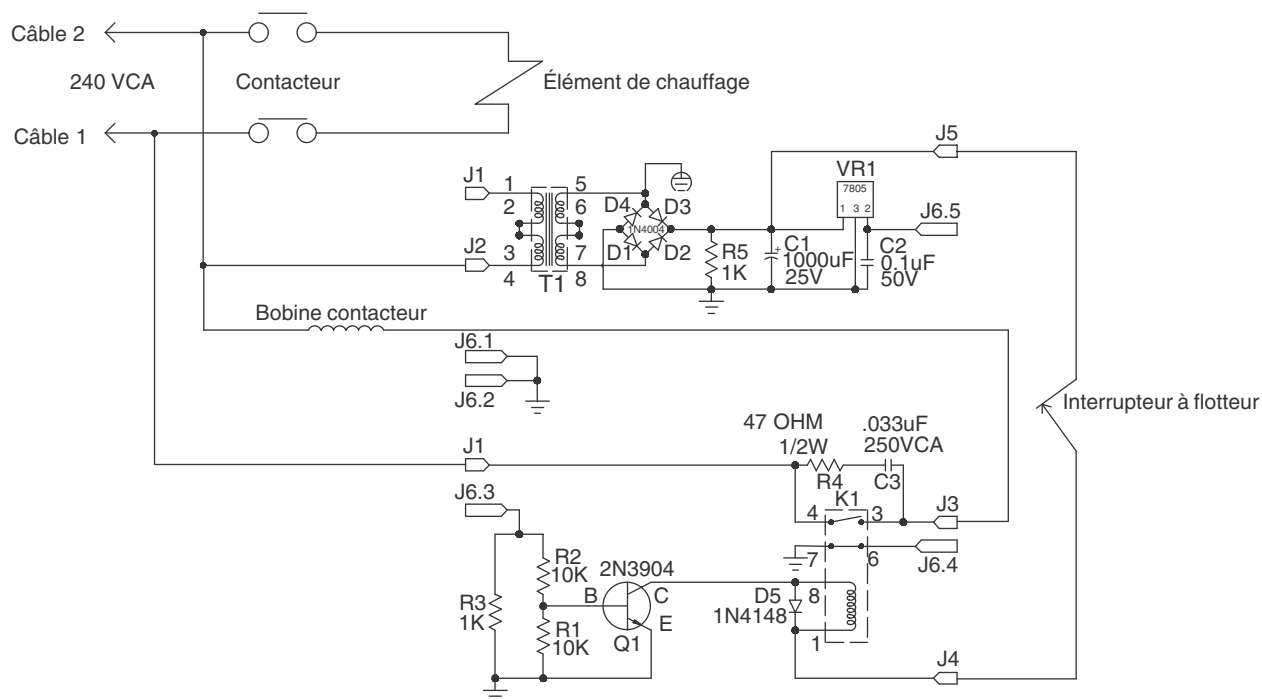


AVERTISSEMENT : Risque de brûlures. Ne pas localiser la tête de vapeur près d'un siège ou banc, car elle est chaude durant l'opération et pourrait brûler l'utilisateur.

IMPORTANT ! Ne pas obstruer la tête de vapeur avec des valves d'arrêt, bouchons ou capuchons.

REMARQUE : Le logement de vapeur peut être ajusté pour une épaisseur de mur de 3/16" (5 mm) à 1-1/2" (3,8 cm) en utilisant les vis de réglage localisées sur le logement de tête de vapeur.

- Positionner une bague d'étanchéité (fournie) autour de la base du logement de vapeur pour qu'elle soit entre le mur et le rebord du logement de vapeur.
- Tourner les vis de réglage du logement de la tête de vapeur jusqu'à ce que la distance entre le rebord arrière du logement de vapeur et la tête de chaque vis de réglage soient égales à l'épaisseur du mur.
- Serrer fermement les vis de réglage. Ne pas trop serrer.
- Sécuriser le logement de vapeur au mur en serrant avec précaution les vis d'ancrage.
- Visser la tête de vapeur vers la droite sur l'ensemble de logement de vapeur jusqu'au serrage à la main.
- Pivoter la tête de vapeur vers la gauche jusqu'à ce que le bassin d'aromathérapie soit à la position midi.
- Appliquer un ruban d'étanchéité sur les filetages mâles de 1/2" NPT du logement de vapeur.
- Pousser le logement de l'ensemble de vapeur à travers l'orifice d'installation de l'intérieur de la douche.
- Compléter la connexion de la conduite de vapeur au logement de vapeur.



4. Faire les connexions électriques



DANGER : Risque d'électrocution. Débrancher avant de réaliser ces étapes d'installation.

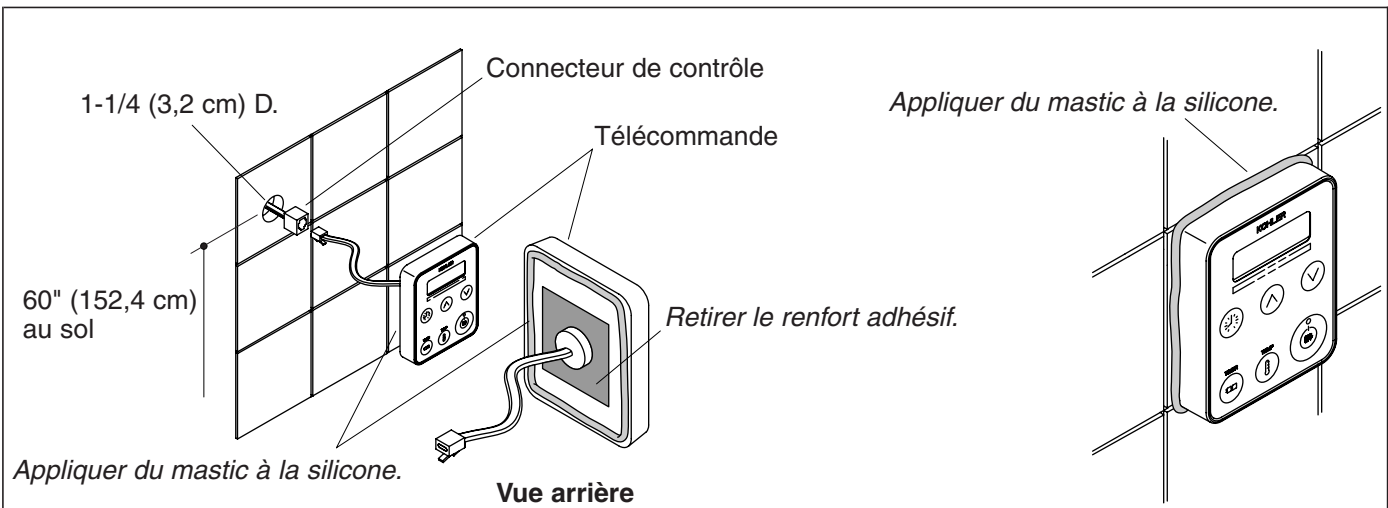
IMPORTANT ! Tous les raccords électriques doivent être réalisés par un électricien qualifié.

IMPORTANT ! Ne pas installer un disjoncteur de fuite à la terre sur cette unité. Cela préviendra la fusion des fusibles.

IMPORTANT ! Tout le câblage électrique doit être conforme aux codes locaux.

- Couper la courant dans l'aire de travail au disjoncteur principal.
- Connecter les lignes électriques de 240 VAC aux câbles numérotés "1" et "2" provenant du générateur de vapeur.

IMPORTANT ! Le générateur de vapeur devrait être muni d'un disjoncteur dédié.



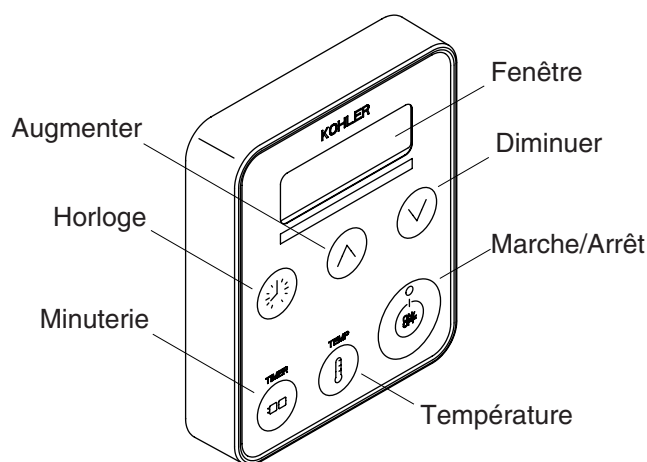
5. Installer le kit de contrôle

IMPORTANT ! Ne pas localiser le kit de contrôle directement sur la sortie de vapeur.

- S'assurer d'avoir coupé le courant au disjoncteur principal avant de procéder.
- Localiser le clavier de contrôle sur le mur à 60" (152,4 cm) au-dessus du sol.
- Percer un orifice de 1-1/4" (3,2 cm) de diamètre à l'emplacement choisi.

IMPORTANT ! Ne pas pincer, clouer, torsader ou utiliser de force non justifiée lors de la manipulation du connecteur de contrôle et du câble de clavier de contrôle. Tout dommage pourrait résulter en panne du kit de contrôle. Si le clavier de contrôle n'est pas installé immédiatement, protéger le connecteur de contrôle avec du ruban ou autre matériau de protection.

- Tirer le connecteur de contrôle du générateur de vapeur et à travers l'orifice percé.
- Brancher avec précaution le connecteur de contrôle du générateur à celui du clavier de contrôle en utilisant le connecteur femelle à double extrémité (fourni).
- Rebrancher le courant au disjoncteur principal.
- Ouvrir le robinet et brancher la courant.
- Tester le clavier de contrôle pour s'assurer du bon fonctionnement. Se référer à la section "Utiliser le clavier de contrôle".
- Retirer le renfort adhésif de l'arrière du clavier de contrôle.
- Appliquer un boudin de silicone autour du rebord arrière du clavier de contrôle et autour du périmètre adhésif.
- Presser le clavier de contrôle fermement contre le mur.
- Appliquer un boudin de silicone autour du rebord extérieur du clavier de contrôle.
- Laisser sécher le mastic pendant au moins 24 heures avant de continuer.



Utilisant le clavier de contrôle

Opération de commande de vapeur

REMARQUE : L'horloge est toujours affichée dans la fenêtre DEL lorsque la vapeur n'est pas en utilisation.

REMARQUE : Lorsque l'on allume l'unité, la durée d'émission et la température de la vapeur seront basées sur les réglages de l'utilisateur précédent. Le réglage initial d'une nouvelle unité de contrôle est de 113°F (45°C) pendant 20 minutes.

- **Pour démarrer l'unité:** Presser sur le bouton ON/OFF pour démarrer la vapeur. La DEL verte s'allumera. La LED "On" s'affichera jusqu'à ce que la température atteigne 90° F (32° C). La température courante est affichée jusqu'à ce que la température ciblée soit atteinte.
- **Pour arrêter l'unité:** Presser à nouveau le bouton ON/OFF pour arrêter la vapeur. La DEL verte s'éteint et l'écran affiche "Off" pendant 5 secondes, puis affiche à nouveau l'heure du jour.

Réglages de contrôle de vapeur

- S'assurer que l'unité de contrôle de vapeur est en MARCHE avant de procéder aux réglages suivants. Presser sur le bouton ON pour activer l'unité de contrôle de vapeur.
- **Pour ajuster la température de la vapeur:** Presser sur le bouton TEMP. La DEL clignote en affichant la température de l'utilisateur précédent. Pour ajuster le réglage, presser la flèche haut pour augmenter la température, ou la flèche bas pour l'abaisser. Après 5 secondes, le clignotement s'arrêtera et la température courante sera affichée tout en atteignant la température voulue.
- **Pour changer l'échelle de température:** Pour changer la température de degrés Fahrenheit en degrés Celsius, appuyer sur l'icône TEMP pendant 3 secondes.
- **Pour régler la minuterie:** Appuyer sur le bouton TIMER. La DEL clignote le réglage précédent. Presser les flèches haut ou bas pour ajuster le réglage. Après 5 secondes le clignotement s'arrêtera et l'écran affichera le réglage de minuterie.
- **Pour ajuster l'horloge:** Presser sur le bouton CLOCK. La DEL affiche en clignotant le réglage d'heure actuelle. Presser les flèches haut ou bas pour ajuster l'horloge. Après 5 secondes le clignotement s'arrête et l'heure s'affiche.

Guide de dépannage

Le guide de dépannage est seulement destiné à une aide générale. Pour des problèmes ou questions concernant le dépannage et l'installation, composer le 1-800-585-STEAM (7832).

Symptômes	Causes probables	Action recommandée
1. "Err 1" apparaît sur le clavier de contrôle.	A. Le bouton d'alimentation est bloqué.	A. Réinitialiser le courant au disjoncteur.

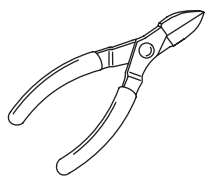
Guide de dépannage (cont.)

Symptômes	Causes probables	Action recommandée
2. "Err 2" apparaît sur le clavier de contrôle.	A. Le "bouton haut" est bloqué.	A. Réinitialiser le courant au disjoncteur.
3. "Err 3" apparaît sur le clavier de contrôle.	A. Le "bouton bas" est bloqué.	A. Réinitialiser le courant au disjoncteur.
4. "Err 4" apparaît sur le clavier de contrôle.	A. Le "bouton temps" est bloqué.	A. Réinitialiser le courant au disjoncteur.
5. "Err 5" apparaît sur le clavier de contrôle.	A. Chaleur maximale excédée. Le générateur ne reçoit pas suffisamment d'eau. B. L'ensemble d'alimentation d'eau est bloqué.	A. Vérifier l'alimentation d'eau pour en assurer un débit correct. B. Retirer et inspecter l'ensemble d'alimentation d'eau dans le générateur.
6. "Err 6" apparaît sur le clavier de contrôle.	A. Interrupteur à flotteur déclenché pendant 10 secondes.	A. Éteindre le système et laisser refroidir.
7. "Err 7" apparaît sur le clavier de contrôle.	A. Le "bouton température" est bloqué.	A. Réinitialiser le courant au disjoncteur.
8. "Err 8" apparaît sur le clavier de contrôle.	A. Le "bouton horloge" est bloqué.	A. Réinitialiser le courant au disjoncteur.
9. L'unité s'arrête d'elle-même.	A. L'unité a été en opération pour plus de 20 minutes.	A. Rallumer l'unité.
10. Pas d'émission de vapeur.	A. La tuyauterie n'est pas proprement raccordée. B. La tête de vapeur est bloquée.	A. Rattacher les tuyaux proprement. B. Retirer la tête de vapeur (après refroidissement) et s'assurer que le plongeur glisse librement sur le capuchon.
11. Il y a un déblit continu d'eau depuis la tête de vapeur. Le débit d'eau durant le cycle de purge automatique est normal.	A. L'alimentation d'eau est incorrectement attachée au générateur de vapeur. B. L'ensemble d'alimentation d'eau est coincé.	A. Connecter l'alimentation d'eau à la bonne entrée. B. Retirer et inspecter l'ensemble d'alimentation d'eau dans le générateur.

Guía de instalación

Generador de vapor y kit de control

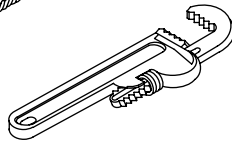
Herramientas y materiales



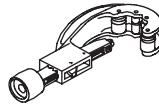
Cortacables



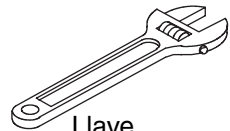
Taladro



Llave para tubos



Cortatubos



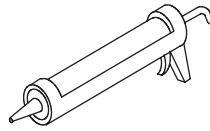
Llave ajustable



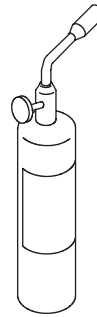
Suelda



Fundente



Pistola de silicona



Soplete de propano

Más:

- Abocardadora para tubos
- Brocas para mampostería de 1-1/4" y 2-1/2"
- Bandeja de goteo
- Otras herramientas según sea necesario



Cinta selladora

Antes de comenzar

¡IMPORTANTE! Al usar esta unidad, siempre siga las precauciones básicas.



ADVERTENCIA: Riesgo de lesiones personales. Si usted no se siente bien mientras toma el baño de vapor, apague la unidad. Tome una ducha fría, abra la puerta o salga de la unidad.



ADVERTENCIA: Riesgo de reacciones alérgicas. Antes de agregar aceites, productos terapéuticos aromáticos o productos para el cuidado de la piel al recipiente para aromaterapia, asegúrese de que éstos no causen una reacción alérgica al usuario.



ADVERTENCIA: Riesgo de lesiones personales. El baño de vapor puede causar fatiga, tal como lo hacen los baños calientes, las duchas y los baños sauna. Por ello, el baño de vapor no es recomendable para mujeres embarazadas, personas que padezcan problemas cardíacos, hipertensión, problemas circulatorios, así como personas que estén bajo la influencia de bebidas alcohólicas, drogas, medicamentos o bajo la atención de un médico.



ADVERTENCIA: Riesgo de lesiones personales. NO consuma bebidas alcohólicas ni tome medicamentos antes o durante el uso del baño de vapor. El uso de alcohol y drogas afecta la capacidad mental e inhibe ciertas funciones corporales tales como el ritmo cardíaco y la respiración, lo cual constituye un serio peligro.



ADVERTENCIA: Riesgo de lesiones a los niños. El generador de vapor no está diseñado para que lo usen los niños. No permita que los niños utilicen esta unidad sin estricta supervisión en todo momento.



ADVERTENCIA: Riesgo de quemaduras. No bloquee el cabezal de vapor ni lo instale cerca de un asiento o banca, puesto que el cabezal de vapor se calienta durante el funcionamiento y si el usuario lo toca puede quemarse.



PELIGRO: Riesgo de electrocución. Antes de realizar estos pasos de instalación, desconecte la corriente eléctrica al área de trabajo desde el panel principal de interruptores.

Antes de comenzar (cont.)



ADVERTENCIA: Riesgo de daños a la propiedad. Siempre debe haber un espacio libre mínimo de 12" (30,5 cm) alrededor del generador de vapor. Esta área permitirá la disipación del calor generado por la unidad.



PRECAUCIÓN: Riesgo de daños al producto. No aplique demasiado calor a las conexiones del generador cuando esté soldando. No aplique fundente ni ácidos directamente al generador, pues ello podría dañar los sellos, los componentes plásticos y el acabado de la guarnición. No aplique lubricantes derivados del petróleo a los componentes del generador, pues se pueden causar daños.



ADVERTENCIA: Riesgo de lesiones personales o daños a la propiedad. No dirija la válvula de alivio de presión hacia la cabina. En caso de que la válvula de alivio de presión se active, el agua caliente puede rociarse, produciendo quemaduras al usuario y/o daños a la cabina. Por lo tanto, esta válvula de alivio debe estar dirigida hacia un área que no se dañe al entrar en contacto con el agua caliente y en cumplimiento con los códigos de plomería nacionales y locales.



ADVERTENCIA: Riesgo de lesiones personales. No instale una trampa en la línea de vapor ni una válvula de alivio de presión en la línea de vapor. La instalación de una válvula de alivio de presión en la línea de vapor puede ser peligrosa si la salida de vapor se tapa.



PRECAUCIÓN: Riesgo de quemaduras. Cualquier variación en el ajuste o en las condiciones de entrada del agua con respecto al calibrado de fábrica puede aumentar la temperatura de descarga por encima del límite considerado seguro y producir el riesgo de quemaduras. Este aparato se ha calibrado en la fábrica para asegurar una temperatura máxima del agua que no presente riesgos. **La instalación y el ajuste de este aparato, en cumplimiento con estas instrucciones, es responsabilidad del instalador.**



PRECAUCIÓN: Riesgo de daños al producto. Utilice tuberías de cobre o de latón únicamente. Las tuberías o conexiones de hierro pueden oxidarse y manchar el piso y las paredes de la cabina de vapor.

¡IMPORTANTE! Use esta unidad solamente para el fin con el que se ha diseñado, como se especifica en este manual. **NO** use equipos adicionales que no estén recomendados por Kohler Co.

¡IMPORTANTE! No se recomienda utilizar la bañera de hidromasaje y de la unidad de vapor al mismo tiempo, cuando ambas están instaladas.

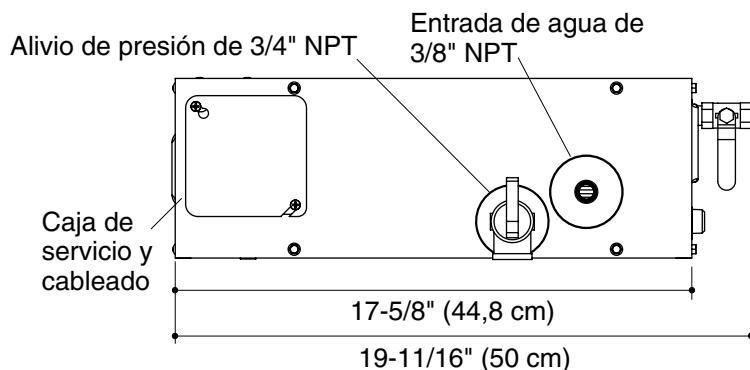
- Cumpla con todos los códigos locales de electricidad y de plomería. Todas las conexiones eléctricas deben ser realizadas por un electricista calificado.
- No instale un interruptor de circuito con pérdida a tierra (GFCI) en esta unidad. Esto evitará el corte repetido y molesto de la energía eléctrica.
- Desconecte toda la energía eléctrica antes de hacer las conexiones eléctricas.
- Verifique que la cabina que va a utilizar sea a prueba de vapor. La cabina debe tener sellos a prueba de vapor en las puertas, para evitar la fuga del vapor. Las paredes y el techo se deben construir de un material que no se dañe con el vapor y la condensación de agua caliente.
- La entrada del agua, la salida de vapor y las válvulas de alivio de presión deben estar conectadas con adaptadores de latón, para su fácil desinstalación.
- Instale una bandeja de goteo debajo de la unidad.
- El generador debe estar en posición de pie, en un lugar accesible y sobre una superficie nivelada. El panel de acceso y la válvula de desagüe no deben tener obstrucciones y deben ser de fácil acceso.
- El generador de vapor puede instalarse a hasta 25 pies (7,62 m) del cabezal de vapor en un lugar seco y bien ventilado.
- El acceso requerido para servicio del generador de vapor debe tener 20" (50,8 cm) de alto y 13" (33 cm) de ancho.
- Se recomienda un filtro en línea para reducir la probabilidad de obstrucciones en el generador de vapor y aumentar la vida útil del generador de vapor.

Antes de comenzar (cont.)

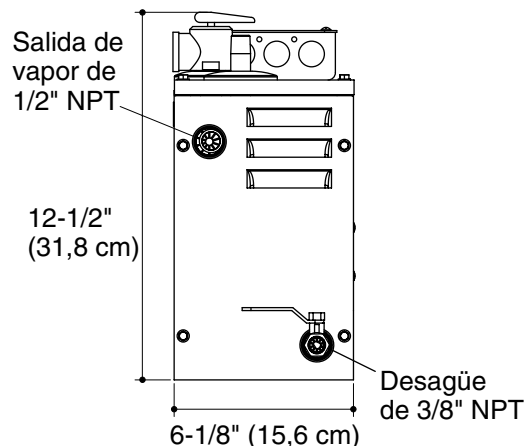
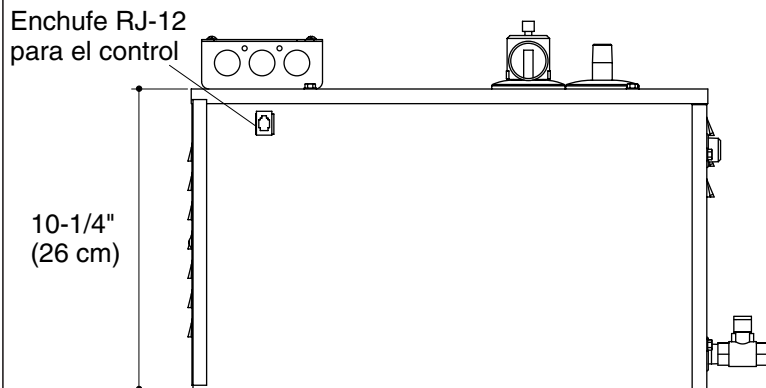
- Incline la tubería de vapor hacia el generador y evite líneas perfectamente niveladas.
- Verifique que el agua esté abierta y que el desagüe esté cerrado antes de poner la unidad en funcionamiento.
- Antes de conectar la línea de agua al generador, descargue las líneas en una cubeta de cinco galones para eliminar los residuos minerales u otros desechos que pueda haber en la línea.

NOTA: Para preguntas de servicio e instalación, llame al 1-800-585-STEAM (7832).

- Kohler Co. se reserva el derecho de modificar el diseño de los productos sin previo aviso, tal como se especifica en la lista de precios.



Acceso mínimo requerido de 20" (50,8 cm) de profundo x 13" (33 cm) de alto x 6-1/2" (16,5 cm) de ancho.

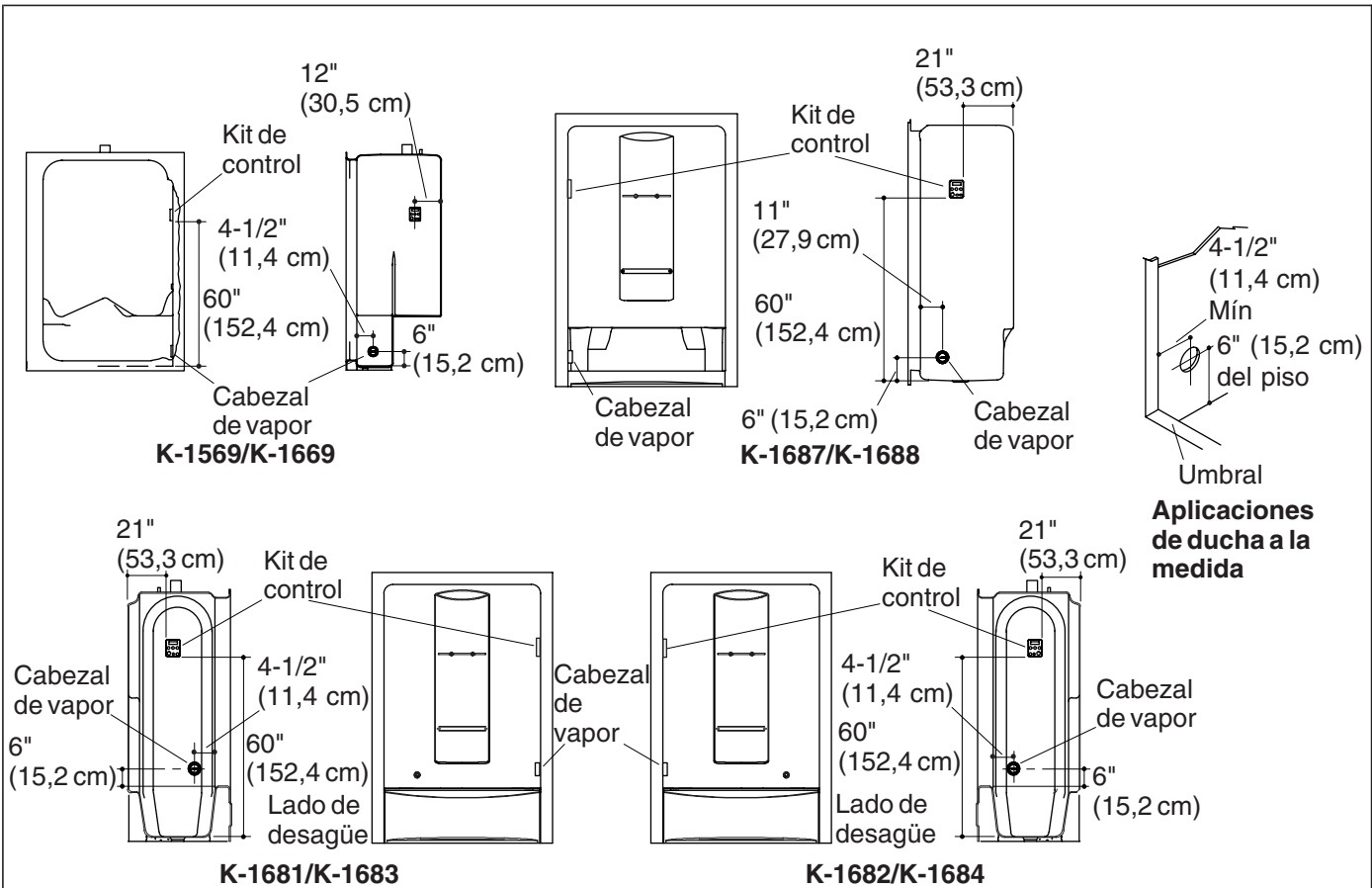


Requisitos de instalación

Modelo	K-1652	K-1657	K-1658	K-1659
Información para pedidos				
Kit de control del generador de vapor (requerido)	K-1663-C/F	K-1663-C/F	K-1663-C/F	K-1663-C/F
Requisitos eléctricos				
Circuito dedicado para el generador (requerido)	5 kW, 7240 V, 30 A, 60 Hz	7 kW, 240 V, 50 A, 60 Hz	9 kW, 240 V, 50 A, 60 Hz	11 kW, 240 V, 60 A, 60 Hz
Información sobre el producto				
Peso	19-1/2 lbs (8,8 kg)	19-1/2 lbs (8,8 kg)	19-1/2 lbs (8,8 kg)	19-1/2 lbs (8,8 kg)
Capacidad eléctrica	240 V, 60 Hz, 25 A	240 V, 60 Hz, 35 A	240 V, 60 Hz, 45 A	240 V, 60 Hz, 55 A
Suministro de agua	Línea de cobre de 3/8" (rosca hembra NPT de 3/8")	Línea de cobre de 3/8" (rosca hembra NPT de 3/8")	Línea de cobre de 3/8" (rosca hembra NPT de 3/8")	Línea de cobre de 3/8" (rosca hembra NPT de 3/8")
Línea de vapor	Línea de cobre de 1/2" (rosca hembra NPT de 1/2")	Línea de cobre de 1/2" (rosca hembra NPT de 1/2")	Línea de cobre de 1/2" (rosca hembra NPT de 1/2")	Línea de cobre de 1/2" (rosca hembra NPT de 1/2")
Válvula de alivio de presión (provista)	Rosca hembra NPT de 3/4"	Rosca hembra NPT de 3/4"	Rosca hembra NPT de 3/4"	Rosca hembra NPT de 3/4"
Válvula de la línea de desagüe (provista)	Línea de cobre de 3/8" (rosca hembra NPT de 3/8")	Línea de cobre de 3/8" (rosca hembra NPT de 3/8")	Línea de cobre de 3/8" (rosca hembra NPT de 3/8")	Línea de cobre de 3/8" (rosca hembra NPT de 3/8")
Tamaño del cuarto de vapor				

Requisitos de instalación (cont.)

	56 pies cúbicos (1,6 metros cúbicos)	112 pies cúbicos (3,2 metros cúbicos)	240 pies cúbicos (6,8 metros cúbicos)	317 pies cúbicos (9 metros cúbicos)
--	--	---	--	--



Lugares para los herrajes del vapor

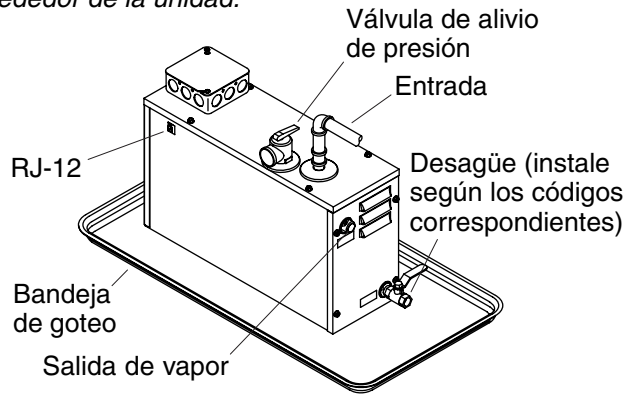


ADVERTENCIA: Riesgo de quemaduras. No instale el cabezal de vapor cerca de un asiento o banca, puesto que el cabezal de vapor se calienta durante el funcionamiento y si el usuario lo toca puede quemarse.

¡IMPORTANTE! Se recomienda que coloque el kit de control y el cabezal de vapor en la misma pared que tiene los controles de plomería. Para un funcionamiento óptimo, **no** coloque el kit de control directamente arriba del cabezal de vapor. Instale el cabezal de vapor 6" (15,2 cm) arriba del piso y un mínimo de 4-1/2" (11,4 cm) del umbral. El cabezal de vapor siempre debe colocarse lo más lejos posible del área de sentarse.

- Identifique el número de modelo de su módulo de ducha en la ilustración. Si es necesario, consulte la Guía del usuario provista con su módulo de ducha para verificar el número de modelo. Si las dimensiones de instalación de su modelo particular no se muestran, consulte la sección "Aplicaciones de ducha a la medida" en la ilustración.
- Determine el lugar de instalación del kit de control y del cabezal de ducha con base en las dimensiones ilustradas. Las dimensiones del diagrama de instalación son cruciales para una correcta instalación.
- Coloque el kit de control y el cabezal de vapor en el lugar indicado. Todas las medidas son desde el interior del módulo.

Mantenga un espacio libre de 12" (30,5 cm) alrededor de la unidad.



1. Coloque la unidad de principal



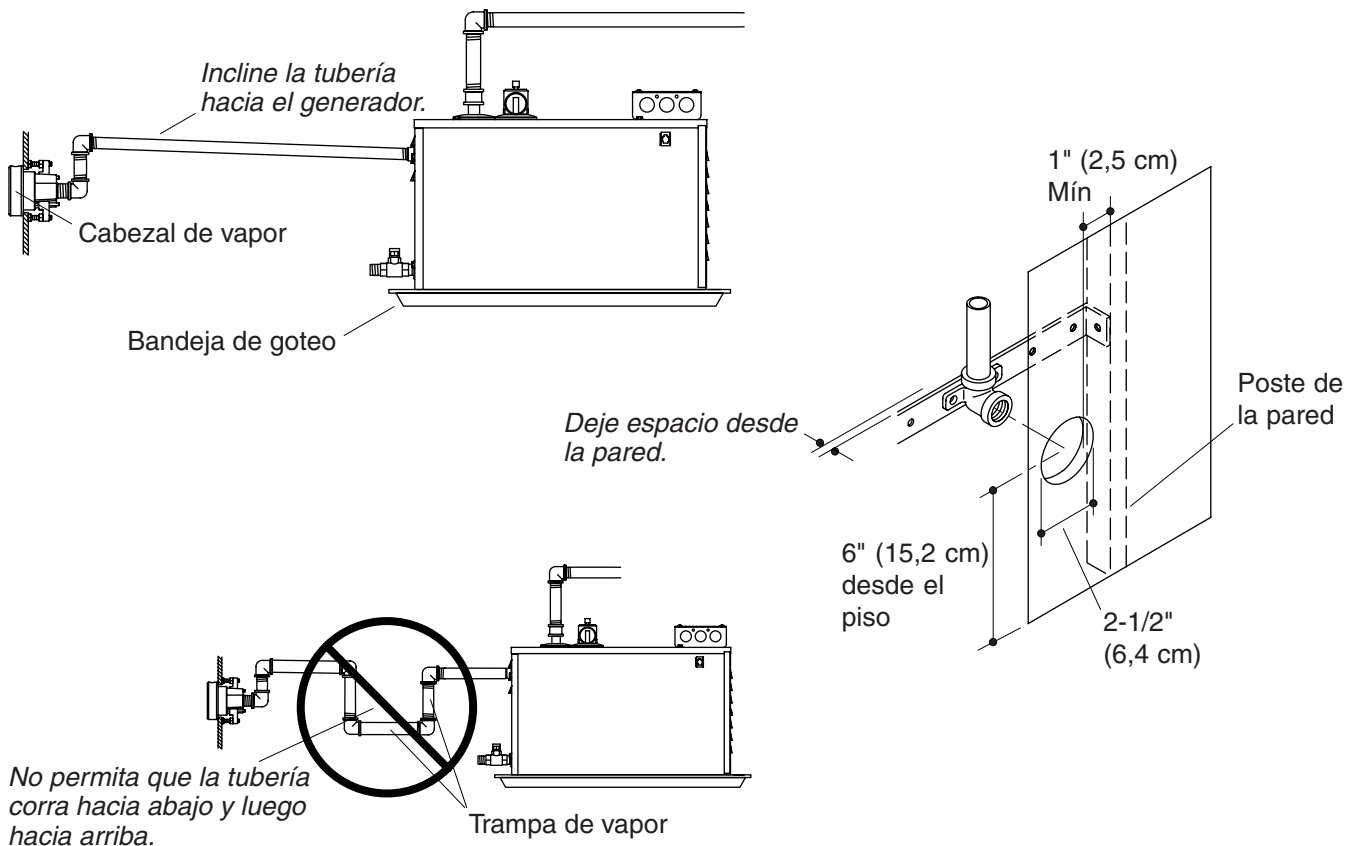
ADVERTENCIA: Riesgo de daños a la propiedad. Siempre debe haber un espacio libre mínimo de 12" (30,5 cm) alrededor del generador de vapor. Esta área permitirá la disipación del calor generado por la unidad.

¡IMPORTANTE! El generador debe estar en posición de pie, en un lugar accesible y sobre una superficie nivelada. El panel de acceso y la válvula de desagüe no deben tener obstrucciones y deben ser de fácil acceso.

¡IMPORTANTE! El acceso requerido para servicio del generador de vapor debe tener 20" (50,8 cm) de alto y 13" (33 cm) de ancho.

¡IMPORTANTE! Para un óptimo desempeño, instale el generador de vapor a un nivel más abajo que el cabezal de vapor y lo más cerca posible al cabezal de vapor. La unidad debe instalarse dentro de una distancia de 25 pies (7,62 m) del cabezal de vapor, en un lugar seco y bien ventilado.

- Determine el lugar de instalación del generador de vapor. Deje un espacio libre de 12" (30,5 cm) en todos los lados del generador de vapor. Tome en consideración el espacio necesario para la bandeja de goteo requerida (no provista).
- Instale una bandeja de goteo en el lugar determinado.
- Coloque el generador de vapor sobre la bandeja de goteo.
- Confirme que exista un espacio libre de 12" (30,5 cm) en todos los lados del generador de vapor. Si es necesario cambie la ubicación.



2. Instale las tuberías



PRECAUCIÓN: Riesgo de daños al producto. No aplique demasiado calor a las conexiones del generador cuando esté soldando. No aplique fundente ni ácidos directamente al generador, pues ello podría dañar los sellos, los componentes plásticos y el acabado de la guarnición. No aplique lubricantes derivados del petróleo a los componentes del generador, pues se pueden causar daños.



ADVERTENCIA: Riesgo de lesiones personales o daños a la propiedad. No instale la válvula de alivio de presión en la línea de vapor. La instalación de una válvula de alivio de presión en la tubería de vapor puede crear un peligro si la línea de vapor se tapa u obstruye.



ADVERTENCIA: Riesgo de lesiones personales. No instale una trampa en la línea de vapor ni una válvula de alivio de presión en la línea de vapor. La instalación de una válvula de alivio de presión en la línea de vapor puede ser peligrosa si la salida de vapor se tapa.



ADVERTENCIA: Riesgo de lesiones personales o daños a la propiedad. No dirija la válvula de alivio de presión hacia la cabina. En caso de que la válvula de alivio de presión se active, el agua caliente puede rociarse, produciendo quemaduras al usuario y/o daños a la cabina. Por lo tanto, esta válvula de alivio debe estar dirigida hacia un área que no se dañe al entrar en contacto con el agua caliente y debe cumplir con los códigos de plomería nacionales y locales.

¡IMPORTANTE! Al instalar el panel de control, deje suficiente cable de control para un lazo de goteo. El lazo de goteo ayudará a impedir que la humedad siga el cable de control al generador de vapor.

- Conecte una T en la línea de agua fría existente.
- Instale la llave de paso de latón a la T.

¡IMPORTANTE! Se debe instalar un filtro de agua en línea (recomendado) entre la llave de paso y la entrada del generador de vapor.

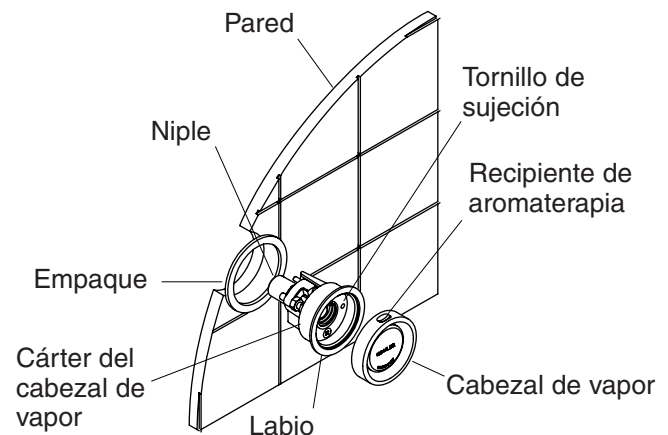
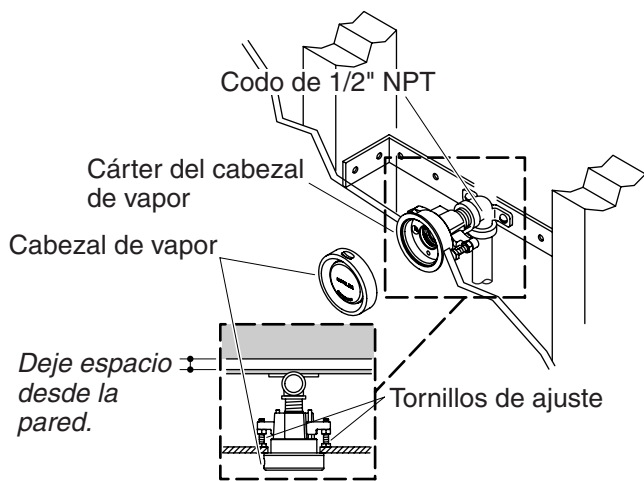
- Si corresponde, instale el filtro de agua en línea recomendado a la llave de paso.

Instale las tuberías (cont.)

- Instale tubería de cobre desde el filtro de agua en línea (si corresponde) a la entrada en el generador o generadores de vapor.
- Conecte la válvula de alivio de presión a la línea de desagüe. La línea de desagüe debe cumplir con todos los códigos correspondientes.
- Antes de conectar la línea de entrada de agua, haga correr agua en las líneas hacia una cubeta grande para eliminar los residuos minerales u otros desechos que pueda haber en la línea.
- Haga la conexión final del suministro de agua al generador de vapor. Verifique que no haya fugas.

NOTA: Todos los generadores de vapor Kohler están equipados con un sistema automático de llenado de agua. El agua dejará de fluir una vez que la unidad esté llena.

- Abra el agua para llenar la unidad.
- Si el tendido de la tubería de la salida del vapor excede 10 pies (3 m) o queda expuesta a zonas frías, aisle la tubería con aislamiento de calidad para vapor.



3. Instale el cabezal de vapor

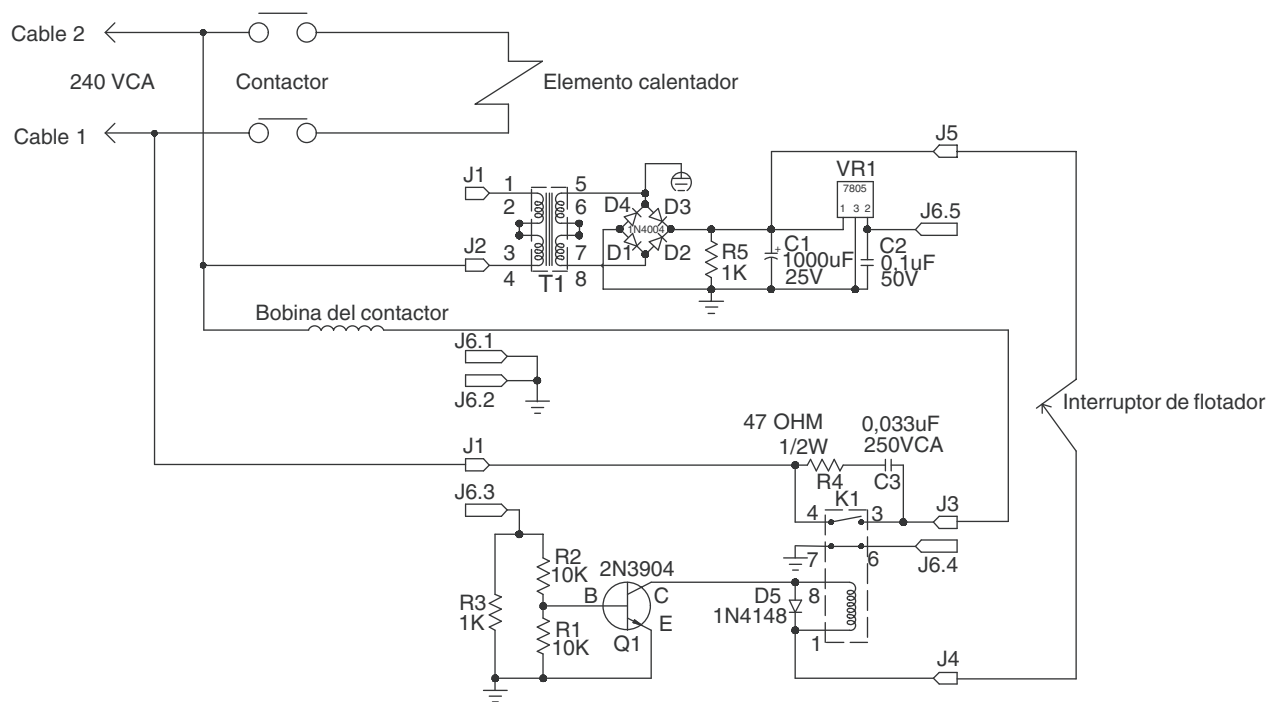


ADVERTENCIA: Riesgo de quemaduras. No instale el cabezal de vapor cerca de un asiento o banca, puesto que el cabezal de vapor se calienta durante el funcionamiento y si el usuario lo toca puede quemarse.

¡IMPORTANTE! No obstruya el cabezal de vapor con llaves de paso, obturadores o tapones.

NOTA: El cárter del cabezal de vapor se puede ajustar para una pared de espesor entre 3/16" (5 mm) y 1-1/2" (3,8 cm) utilizando los tornillos de ajuste ubicados en el cárter del cabezal de vapor.

- Coloque el empaque (provisto) alrededor de la base del cárter del cabezal de vapor, de manera que el empaque quede entre la pared y el labio del cárter del cabezal de vapor.
- Gire los tornillos de ajuste que se encuentran en el cárter del cabezal de vapor hasta que la distancia entre el filo posterior del cárter del cabezal de vapor y la cabeza de cada tornillo de ajuste sea igual al espesor de la pared.
- Apriete bien los tornillos de ajuste. No apriete demasiado.
- Fije el cárter del cabezal de vapor a la pared apretando con cuidado los tornillos de sujeción.
- Enrosque hacia la derecha el cabezal de vapor en el montaje del cárter del cabezal de vapor, hasta que esté apretado con la mano.
- Gire el cabezal de vapor hacia la izquierda hasta que el recipiente de aromaterapia esté ubicado en la posición de las 12 en punto.
- Aplique cinta selladora de roscas a las roscas macho de 1/2" NPT en el cárter del cabezal de vapor.
- Desde el interior de la ducha, empuje el cárter del cabezal de vapor a través del orificio de instalación.
- Termine la conexión de la línea de vapor al cárter del cabezal de vapor.



4. Realice las conexiones eléctricas



PELIGRO: Riesgo de electrocución. Desconecte toda la energía eléctrica antes de seguir estos pasos de instalación.

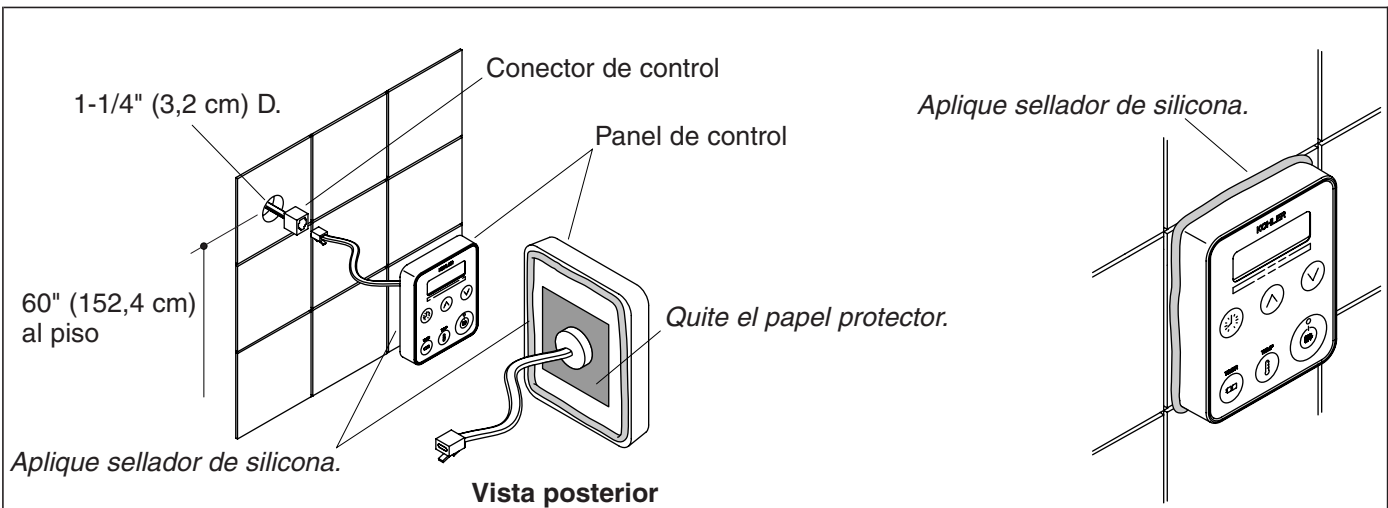
¡**IMPORTANTE!** Todas las conexiones eléctricas deben ser realizadas por un electricista calificado.

¡**IMPORTANTE!** No instale un interruptor de circuito con pérdida a tierra (GFCI) en esta unidad. Esto evitará el corte repetido y molesto de la energía eléctrica.

¡**IMPORTANTE!** Todo el cableado eléctrico debe realizarse de conformidad con los códigos locales.

- Corte toda la corriente eléctrica al área de trabajo desde el panel principal de interruptores.
- Conecte líneas eléctricas de 240 VCA a los cables identificados "1" y "2" provenientes del generador de vapor.

¡**IMPORTANTE!** El generador de vapor debe tener un interruptor de circuito dedicado.



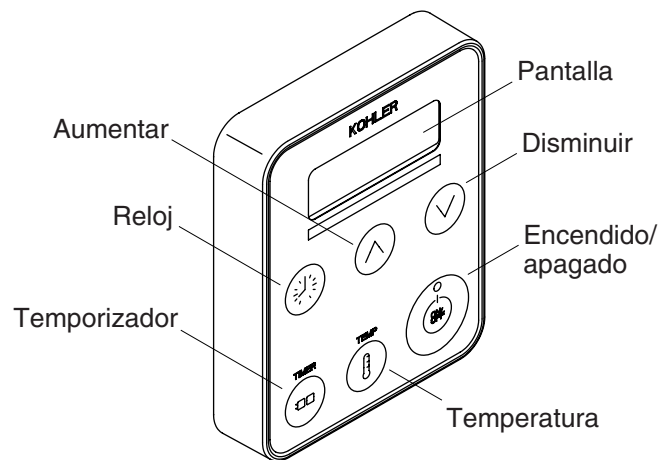
5. Instale el kit de control

¡IMPORTANTE! No coloque el kit de control directamente sobre la salida de vapor.

- Antes de continuar, asegúrese de cortar la corriente eléctrica en el panel principal de interruptores.
- Coloque el panel de control en la pared a 60" (152,4 cm) del piso.
- En el lugar elegido, taladre un orificio de 1-1/4" (3,2 cm) de diámetro.

¡IMPORTANTE! No pellizque, clave, doble, ni utilice fuerza indebida sobre el conector de control ni el cable del panel de control. Cualquier daño podría ocasionar fallas en el kit de control. Si el panel de control no se va a instalar de inmediato, proteja los conectores de control con cinta adhesiva u otro material de protección.

- Pase por el orificio taladrado el conector de control desde el generador de vapor.
- Con cuidado enchufe el conector de control al cable del panel de control utilizando el conector hembra doble (provisto).
- Restablezca la corriente eléctrica en el panel principal de interruptores.
- Abra el agua y conecte la corriente eléctrica al generador.
- Pruebe el panel de control para asegurar que esté funcionando correctamente. Consulte la sección "Uso del panel de control".
- Retire el papel protector del dorso del panel de control.
- Aplique una tira continua de sellador de silicona alrededor del borde posterior del panel de control y alrededor del perímetro del área adhesiva.
- Presione firmemente el panel de control contra la pared.
- Aplique una tira de sellador de silicona alrededor del borde exterior del panel de control.
- Antes de usar, deje que el sellador de silicona se seque durante 24 horas.



Uso del panel de control

Funcionamiento del control de vapor

NOTA: El reloj siempre se muestra en la pantalla de diodo emisor de luz cuando el vapor no se utiliza.

NOTA: La siguiente vez que la unidad se encienda, la duración del vapor y la temperatura objetivo dependerán de los valores usados por el usuario anterior. El valor predeterminado de una unidad de control nueva es 113°F (45°C) durante 20 minutos.

- **Para encender la unidad:** Oprima el botón de encendido/apagado para encender el vapor. Se iluminará la luz verde del botón. La pantalla muestra la palabra "On" hasta que la temperatura llega a 90°F (32°C). Se muestra la temperatura actual hasta que se alcanza la temperatura objetivo.
- **Para apagar la unidad:** Presione el botón de encendido/apagado nuevamente para apagar el vapor. Se apaga la luz verde del botón de encendido/apagado y la pantalla muestra la palabra "Off" durante 5 segundos, antes de volver a mostrar la hora del día.

Ajustes del control de vapor

- Asegúrese de que la unidad de control de vapor esté encendida antes de realizar los ajustes siguientes. Oprima el botón de encendido para activar la unidad de control de vapor.
- **Para ajustar la temperatura del vapor:** Oprima el botón TEMP. La pantalla de diodos emisores de luz mostrará intermitentemente la temperatura elegida por el usuario anterior. Presione la flecha hacia arriba para aumentar la temperatura, y la flecha hacia abajo para disminuirla. Después de 5 segundos, dejará de parpadear y mostrará la temperatura actual, cambiando hasta alcanzar la temperatura objetivo.
- **Para cambiar la escala de temperatura:** Para cambiar la temperatura de grados Fahrenheit a grados Centígrados, mantenga presionado el botón TEMP durante 3 segundos.
- **Para seleccionar el valor del temporizador:** Oprima el botón TIMER. La pantalla mostrará intermitentemente el valor elegido anteriormente. Presione las flechas hacia arriba o hacia abajo para cambiar el valor. Después de 5 segundos, deja de parpadear y se muestra el valor de tiempo seleccionado.
- **Para ajustar el reloj:** Oprima el botón CLOCK. La pantalla mostrará intermitentemente la hora actual del día. Presione las flechas hacia arriba o hacia abajo para cambiar el reloj. Después de 5 segundos, deja de parpadear y se muestra la hora del día.

Guía para resolver problemas

La guía para resolver problemas está diseñada únicamente como ayuda general. Para preguntas de servicio e instalación, llame al 1-800-585-STEAM (7832).

Síntomas	Causas probables	Acción recomendada
1. "Err 1" aparece en el panel de control.	A. El botón de encendido está atascado.	A. Restablezca la corriente eléctrica en el interruptor principal.
2. "Err 2" aparece en el panel de control.	A. El botón de flecha hacia arriba está atascado.	A. Restablezca la corriente eléctrica en el interruptor principal.
3. "Err 3" aparece en el panel de control.	A. El botón de flecha hacia abajo está atascado.	A. Restablezca la corriente eléctrica en el interruptor principal.
4. "Err 4" aparece en el panel de control.	A. El botón de "tiempo" está atascado.	A. Restablezca la corriente eléctrica en el interruptor principal.
5. "Err 5" aparece en el panel de control.	A. Se ha excedido el calor máximo. El generador no está recibiendo suficiente agua. B. El alimentador de agua está obstruido.	A. Verifique que el suministro de agua tenga el flujo correcto. B. Desinstale e inspeccione el alimentador de agua en el generador.
6. "Err 6" aparece en el panel de control.	A. El interruptor de flotador se disparó por 10 segundos.	A. Apague el sistema y deje enfriar.
7. "Err 7" aparece en el panel de control.	A. El botón de "temperatura" está atascado.	A. Restablezca la corriente eléctrica en el interruptor principal.
8. "Err 8" aparece en el panel de control.	A. El botón de "reloj" está atascado.	A. Restablezca la corriente eléctrica en el interruptor principal.
9. La unidad se apaga.	A. La unidad ha estado en funcionamiento por más de 20 minutos.	A. Encienda nuevamente la unidad.
10. No hay generación de vapor.	A. La tubería no está bien conectada. B. El cabezal de vapor está obstruido.	A. Vuelva a conectar la tubería correctamente. B. Desinstale el cabezal de vapor (después de que se enfríe) y verifique que el pistón se mueva libremente en la tapa.
11. El cabezal de vapor tiene un flujo continuo de agua. El flujo de agua durante el ciclo automático de purga es normal.	A. El suministro de agua no está bien conectado al generador de vapor. B. El alimentador de agua está atascado.	A. Conecte el suministro de agua a la entrada correcta. B. Desinstale e inspeccione el alimentador de agua en el generador.

USA: 1-800-4-KOHLER
Canada: 1-800-964-5590
México: 001-877-680-1310

kohler.com

THE BOLD LOOK
OF **KOHLER**®

©2007 Kohler Co.

1008019-2-J