

Product Information

Applicable product:	
Steam generator	K-1696-NA (shown)
Steam generator	K-1713-NA (shown)

Water and drain requirements:	
Water supply	3/8" copper line, 3/8" NPT female thread
Steam line	1/2" copper line, 1/2" NPT female thread
Pressure relief valve	3/4" NPT female thread, valve supplied
Drain line	3/8" copper line, 3/8" NPT female thread, ball valve supplied
Generator:	
Weight	32 lbs (14.5 kg)
Electrical rating - 13 kW	240 V, 60 A, 50/60 Hz
Electrical rating - 15 kW	240 V, 70 A, 50/60 Hz

Required Electrical Service

Two dedicated circuits required:	
	Circuit Breaker
13 kW steam generator	240 V, 70 A, 50/60 Hz
15 kW steam generator	240 V, 100 A, 50/60 Hz

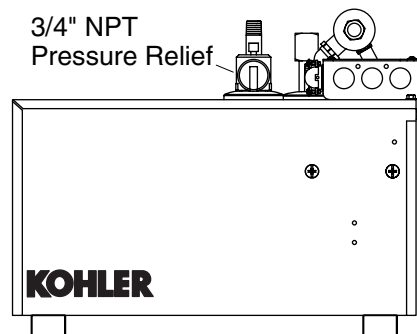
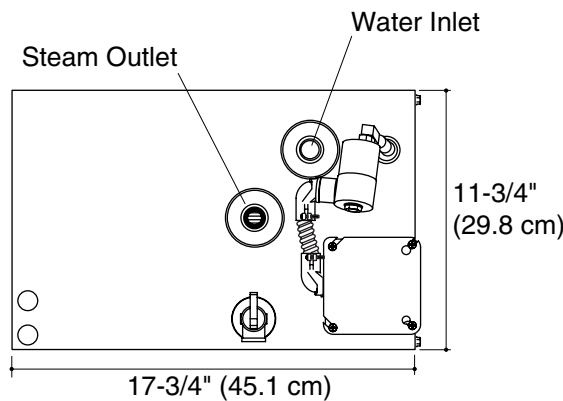
Installation Notes

Install this product according to the installation guide.

Fixture dimensions are nominal.

For this steam generator, do not exceed the maximum rating volume:

To determine the appropriate model for your installation, determine the cubic feet of your steam area by multiplying L x W x H. The K-1696-NA has a rating of 447 cu. ft. (13 cu. m). The K-1713-NA has a rating of 500 cu. ft. (14 cu. m). Always round up. For every foot of ceiling height over 8' (2.45 m) use the next larger steam unit.



Minimum required access is 20" (50.8 cm) L x 13" (33" cm) H x 6-1/2" (16.5 cm) W.

