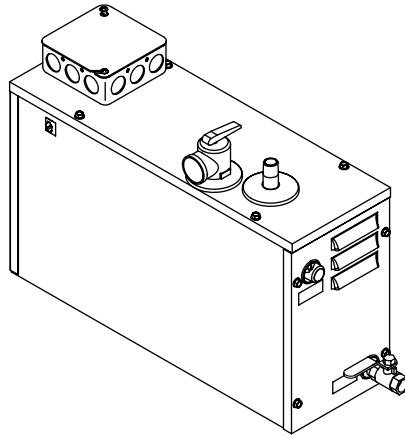


Installation Guide

Steam Generator

K-1695, K-1708, K-1733,

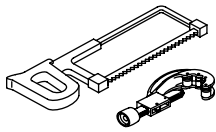
K-1734



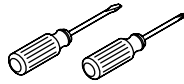
M product numbers are for Mexico (i.e. K-12345**M**)
Los números de productos seguidos de **M** corresponden a México
(Ej. K-12345**M**)
Français, page "Français-1"
Español, página "Español-1"

THE BOLD LOOK
OF **KOHLER**®

Tools and Materials



Hacksaw or Tube Cutter



Screwdrivers



Tape Measure



Drill w/ 1-1/4" & 2-1/2" Hole Bit



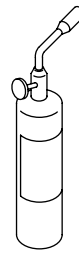
Adjustable Wrench



Solder



Sealant Tape



Propane Torch

Plus:

- Conventional woodworking tools and materials
- Drain/spill pan
- 1/2" copper tubing
- Assorted copper fittings
- 1/2" & 3/4" NPT unions

Before You Begin

IMPORTANT! When using this unit, basic precautions should always be followed.



WARNING: Risk of personal injury. If you become uncomfortable while taking a steam bath, you should power off the unit. Cool off with the shower, open the door, or exit the unit.



WARNING: Risk of allergic reaction. Before adding any oils, aromatic therapies, or skin care products to the aromatherapy well, make sure they will not cause an allergic reaction to the user.



WARNING: Risk of personal injury. A steam bath can put undue stress on the body, as does any hot bath, shower, or sauna. Therefore, the steam bath may not be suitable for use if you are pregnant, have a heart condition, have high blood pressure, have circulatory problems, are under the influence of alcohol, are taking drugs or are under the care of a physician.



WARNING: Risk of personal injury. DO NOT consume alcoholic beverages or take medications/drugs prior to or when using the steam bath. Alcohol and drugs affect mental judgement and inhibit bodily functions such as heartbeat and respiration, resulting in potentially dangerous effects.



WARNING: Risk of injury to children. The steam generator is not designed to be used by children. Do not allow children to use this unit unless they are closely supervised at all times.



WARNING: Risk of scalding. Do not block the steam head or locate it near a seat or bench, as the steam head is hot during operation and may scald the user if touched.



DANGER: Risk of electrocution. Disconnect the electricity to the working area at the main breaker panel before performing these installation steps.



WARNING: Risk of property damage. There should be a minimum of 12" (30.5 cm) of air space around the steam generator at all times. This provides an area for the heat generated by the unit to dissipate.



WARNING: Risk of personal injury or property damage. Do not direct the pressure relief valve to the enclosure. In the event the pressure relief valve activates, the hot water may spray causing burns to the user and/or damage to the enclosure. Therefore, the pressure relief valve should be directed to an area where damage will not occur from contact with hot water and conform to national and local plumbing codes.



WARNING: Risk of personal injury. Do not plumb a trap in the steam line or plumb the pressure relief valve into the steam line. Plumbing the pressure relief valve into the steam line can be hazardous if the steam outlet is capped.

Before You Begin (cont.)



WARNING: Risk of personal injury or property damage. The steam generator operates at high temperatures. Avoid coming in contact with the water tank and/or steam discharge line while the generator is operating or shortly after shutdown. Wear eye protection and protective clothing when servicing the steam generator.

IMPORTANT! Use this unit only for its intended use as specified in this manual. **DO NOT** use attachments not recommended by Kohler Co.

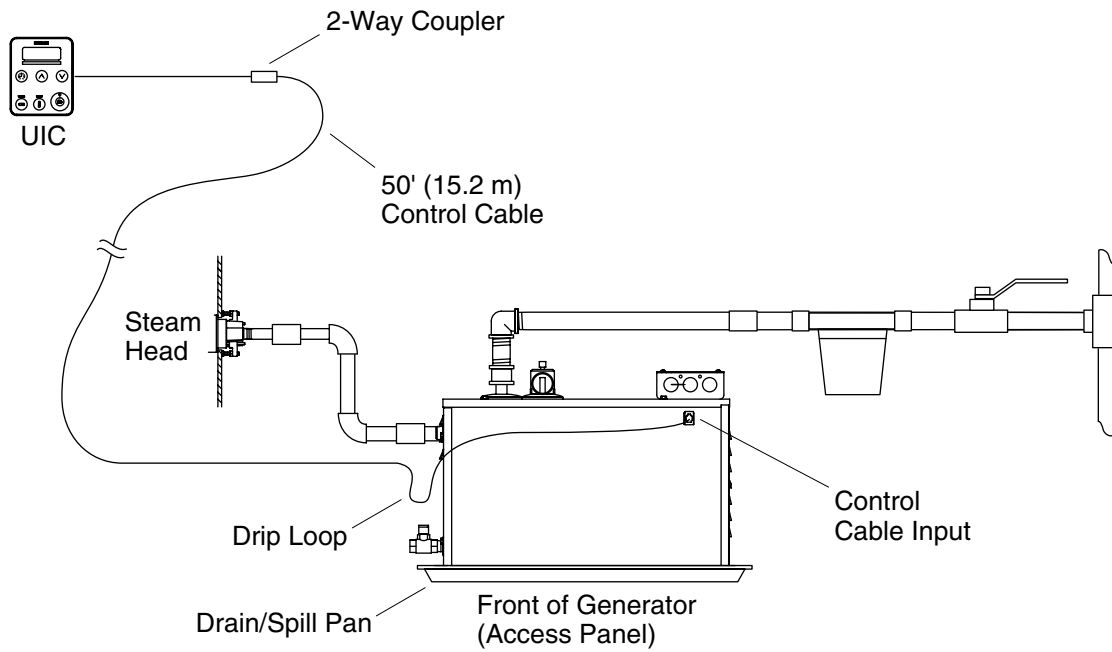
IMPORTANT! Do not apply excessive heat to the generator connections when you solder connections. Do not apply flux or acids directly to the generator, as damage to the seals, plastic components, and trim finish may result. Do not apply petroleum-based lubricants to the generator components, as damage may result.

- Follow all local plumbing and electrical codes. All electrical work should be done by a licensed electrician.
- Do not install a GFCI to this unit. This will prevent nuisance tripping.
- Disconnect all power before making any electrical connections.
- Connect the steam generator to water supply lines that meet all applicable plumbing codes. Use of supply lines that do not meet code may void the warranty.
- For custom installations, locate the steam head 6" (15.2 cm) from the floor and 4-1/2" (11.4 cm) from the inside of the threshold.

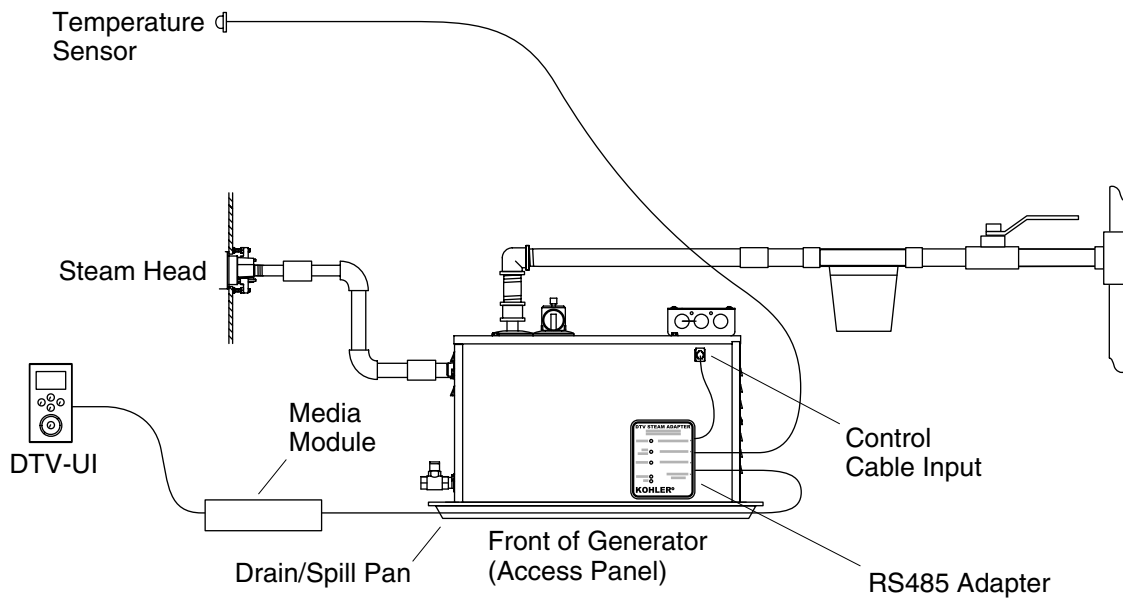
NOTE: For service and installation issues and concerns, call 1-800-585-STEAM (7832).

- Kohler Co. reserves the right to make revisions in the design of products without notice, as specified in the Price Book.

Interface Option 1

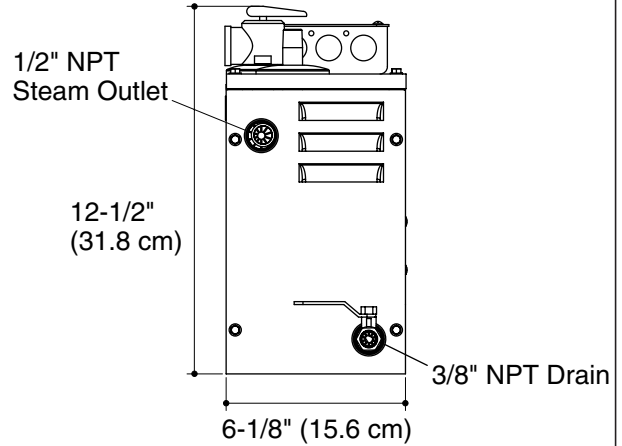
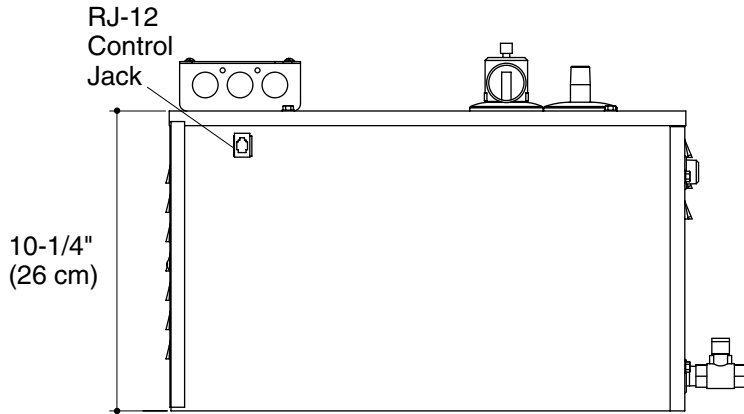
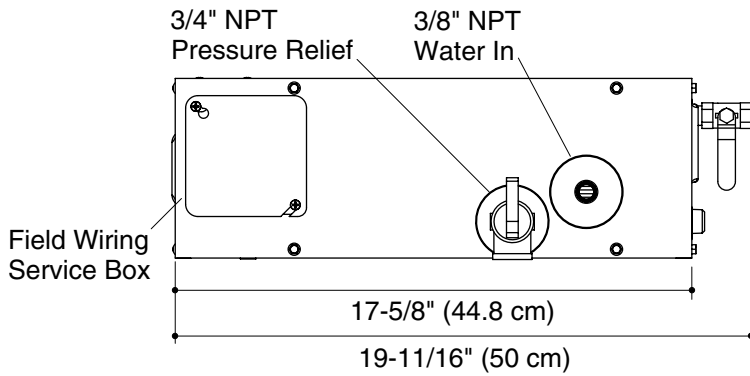


Interface Option 2



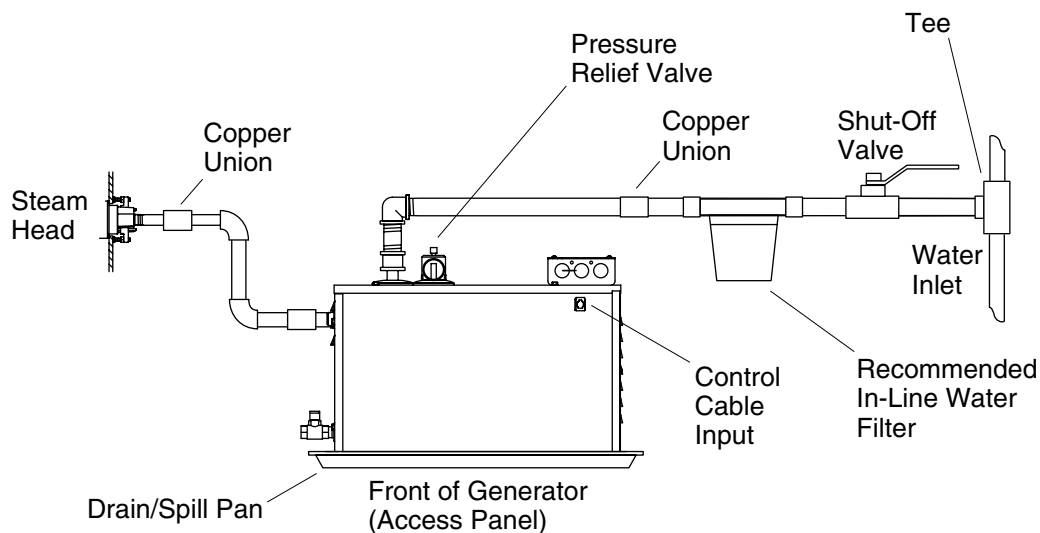
Configuration Options by Interface

Minimum required access is
20" (50.8 cm) L x 13" (33 cm) H x
6-1/2" (16.5 cm) W.



Installation Requirements

Model	K-1695-NA	K-1708-NA	K-1733-NA	K-1734-NA
Ordering Information				
Steam Control Kit (one kit required)	K-1647-PC OR K-1737, K-638, and K-694 or K-695	K-1647-PC OR K-1737, K-638, and K-694 or K-695	K-1647-PC OR K-1737, K-638, and K-694 or K-695	K-1647-PC OR K-1737, K-638, and K-694 or K-695
Required Electrical Service				
Generator - Dedicated Circuit Required	5 kW, 240 V 30 A, 50/60 Hz	7 kW, 240 V, 50 A, 50/60 Hz	9 kW, 240 V, 50 A, 50/60 Hz	11 kW, 240 V, 75 A, 50/60 Hz
Product Information				
Weight	21 lbs (9.5 kg)	21 lbs (9.5 kg)	21 lbs (9.5 kg)	21 lbs (9.5 kg)
Electrical Rating	240 V, 25 A, 60 Hz	240 V, 36 A, 60 Hz	240 V, 45 A, 60 Hz	240 V, 55 A, 60 Hz
Water supply	3/8" copper line (3/8" NPT female thread)	3/8" copper line (3/8" NPT female thread)	3/8" copper line (3/8" NPT female thread)	3/8" copper line (3/8" NPT female thread)
Steam Line	1/2" copper line (1/2" NPT thread)	1/2" copper line (1/2" NPT thread)	1/2" copper line (1/2" NPT thread)	1/2" copper line (1/2" NPT thread)
Pressure Relief Valve (supplied)	3/4" NPT female thread	3/4" NPT female thread	3/4" NPT female thread	3/4" NPT female thread
Drain Line Valve	3/8" copper line, (3/8" NPT female thread)	3/8" copper line, (3/8" NPT female thread)	3/8" copper line, (3/8" NPT female thread)	3/8" copper line, (3/8" NPT female thread)
Sizing The Steam Room				
	56 cu ft (1.6 cu m)	112 cu ft (3.2 cu m)	240 cu ft (6.8 cu m)	317 cu ft (9 cu m)



Note: The generator must be mounted level with all connections on top.

1. Install the Rough Plumbing



WARNING: Risk of burns or property damage. Do not plumb the pressure relief valve into the steam line. Plumbing the pressure relief valve into the steam line can create a hazard if the steam line is blocked or obstructed.



WARNING: Risk of personal injury or property damage. Do not direct the pressure relief valve to the enclosure. In the event the pressure relief valve activates, the hot water may spray causing burns to the user and/or damage the enclosure. Therefore, the pressure relief valve should be directed to an area where damage will not occur from contact with hot water and should conform to national and local plumbing codes.

IMPORTANT! When installing the control kit, allow room in the control cable for a drip loop. The drip loop will discourage moisture from following the control cable to the steam generator.

IMPORTANT! The steam generator will perform best when installed as close as possible to the steam head. The unit should be installed within 25' (7.62 m) of the steam head.

IMPORTANT! For optimum performance install the steam generator below the level of the steam head.

NOTE: The "Recommended Layout Options" sections include information specific to Kohler bath and shower products. Refer to those sections for additional layout information.

- Determine the location of the steam generator. Allow for a 12" (30.5 cm) air gap on all sides of the generator(s). Allow for the drain/spill pan.
- The drain pan is not supplied. Choose a drain pan to fit your installation.
- Connect a tee to the existing cold water line.

Install the Rough Plumbing (cont.)

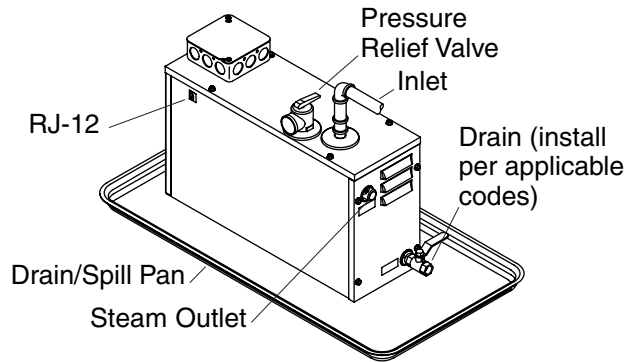
IMPORTANT! The in-line water filter (recommended) must be installed between the shut-off valve and the steam generator inlet.

- If applicable, install the recommended in-line water filter to the shut-off valve.
- Install a shut-off valve on the water inlet line in an accessible area before the recommended in-line filter.
- Install copper tubing from the in-line water filter (if applicable) to the inlet on the steam generator(s).
- Connect the pressure relief valve to a drain line. The drain line should meet all applicable codes.
- Before connecting the water inlet line, flush the water line into a large pail to remove any silt or other materials that may be in the line.
- Make the final connection of the water supply to the steam generator. Check for leaks.

NOTE: All Kohler steam generators are equipped with an automatic water fill system. The water will stop after the unit is full.

- Turn on the water to fill the unit.
- If the steam outlet piping run exceeds 10' (3 m) or is exposed to cold areas, insulate the piping with steam rated insulation.

Maintain a 12" (30.5 cm)
space around the unit.



2. Install the Main Unit



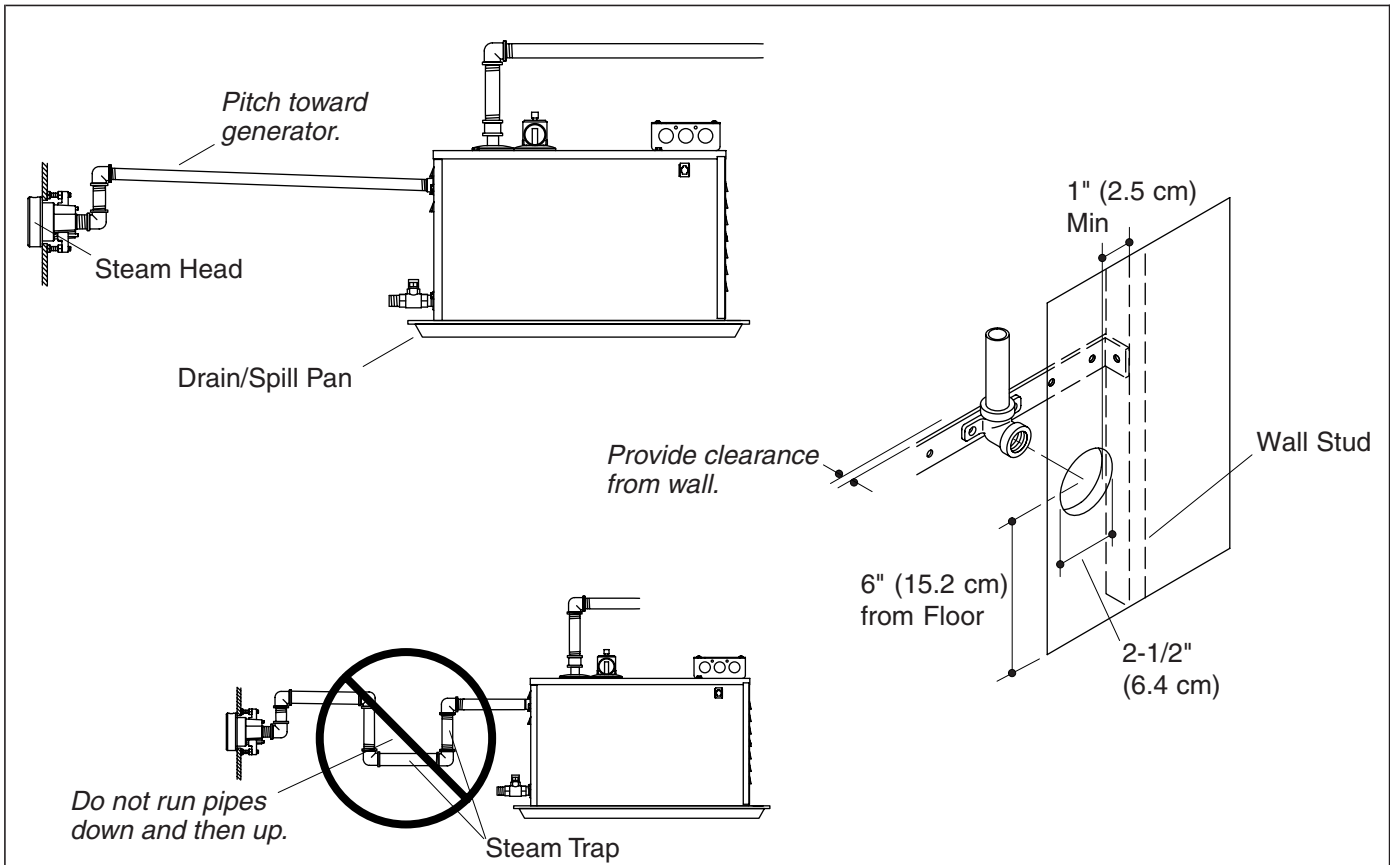
WARNING: Risk of property damage. There should be a minimum of 12" (30.5 cm) of air space around the steam generator at all times. This provides an area for the heat generated by the unit to dissipate.



WARNING: Risk of personal injury. Do not plumb a trap or pressure relief valve into the steam line. Plumbing the pressure relief valve into the steam line can be hazardous if the steam outlet is capped.

IMPORTANT! For optimum performance, install the steam generator below the level of the steam head and as close as possible to the steam head. The unit should be installed within 25 ft (7.62 m) of the steam head in a dry, well-ventilated area.

- Install the desired drain/spill pan under the unit.
- We recommend that the pressure relief valve be connected to a drain line. The drain line should meet all applicable codes.
- Attach the water supply line to the water inlet.



3. Install the Piping



WARNING: Risk of scalding. Do not plumb a trap, shut-off valve, or pressure relief valve into the steam line. Plumbing the pressure relief valve into the steam line can be hazardous, if the steam outlet is capped.



WARNING: Risk of scalding. Do not locate the steam head near a seat or bench or scalding may occur upon contact with the steam head.

NOTE: Follow the instructions packed with your steam head and user interface control.

IMPORTANT! The steam heads must be installed at least 6" (15.2 cm) from the floor in the shower/steam room in an area where contact with occupants is unlikely.

IMPORTANT! Provide clearance between the back wall and the elbows. The elbows should not contact the back wall.

NOTE: The edge of each hole should be at least 1" (2.5 cm) away from all wall studs.

- Drill a 2-1/2" (6.4 cm) diameter hole in the wall at the desired steam head locations.

NOTE: For all the connections, use thread sealant tape and do not overtighten the fittings.

- Connect 1/2" NPT copper pipe or copper tubing and a 1/2" copper union to the steam outlet of the steam generator.

IMPORTANT! Never run the steam lines down, then up. Running the steam lines down and then up will create a steam trap, blocking the flow of steam. Each steam lines should run up to the steam head from the generator, at a pitch of 3/8" (1 cm) to 1/2" (1.3 cm) per 12" (30.5 cm) of pipe.

IMPORTANT! Never run the steam lines perfectly horizontal. Each line should contain a pitch of 3/8" (1 cm) to 1/2" (1.3 cm) per 12" (30.5 cm) of pipe, running up from the steam generator to the steam head.

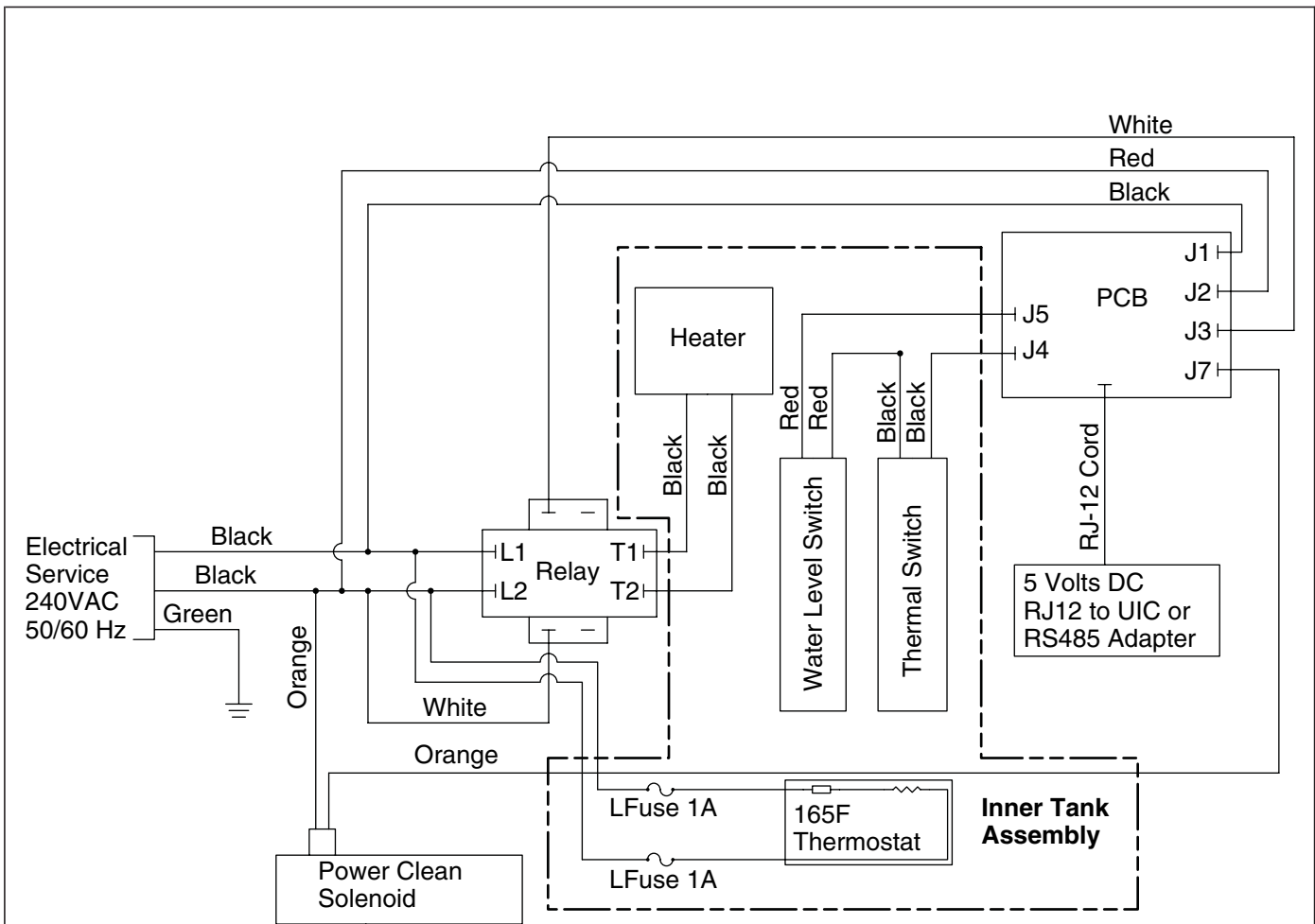
Install the Piping (cont.)

- Install 1/2" copper pipe from each union to the steam head housings assembly installation locations.
- Install a 1/2" NPT connection elbow on the end of each steam housing assembly.
- Secure the connections to the framing whenever possible.

NOTE: The steam generator(s) will not operate without water and a connected user interface control.

4. Install the Steam Head

NOTE: Follow the instructions packed with your steam head kit.



Wiring Diagram

5. Make Electrical Connections



DANGER: Risk of electrocution. Disconnect all power before performing these installation steps.

IMPORTANT! All electrical work should be done by a licensed electrician.

IMPORTANT! Do not install a GFCI to this unit. This will prevent nuisance tripping.

IMPORTANT! All electrical wiring must be done in accordance with local codes.

- Turn off all electricity to the working area at the main breaker panel.
- Connect 240 VAC electrical lines to the wires labeled "1" and "2" coming out of the steam generator.

IMPORTANT! The steam generator should have a dedicated circuit breaker.

6. Install the Steam User Interface Control

NOTE: Follow the instructions packed with your user interface control.

Operating the Steam User Interface Control

NOTE: Follow the instructions packed with your user interface control.

Troubleshooting Guide

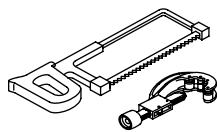
NOTE: Refer to the information packed with your steam head and user interface control for help in troubleshooting the system.

The troubleshooting guide is for general aid only. For service and installation issues and concerns, call 1-800-585-STEAM (7832).

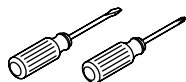
Guide d'installation

Générateur de vapeur

Outils et matériels



Scie à métaux ou coupe tube



Tournevis



Mètre ruban



Perceuse avec mèche de 1-1/4" & 2-1/2"



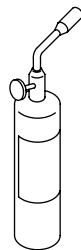
Clé à molette



Soudure



Ruban d'étanchéité



Chalumeau à propane

Plus:

- Outils conventionnels de menuiserie et matériels
- Plateau de dégivrage
- Tube en cuivre de 1/2"
- Raccords en cuivre assortis
- Unions 1/2" & 3/4" NPT

Avant de commencer

IMPORTANT ! Des précautions de base devraient toujours être observées lors de l'utilisation de cette unité.



AVERTISSEMENT : Risque de blessures corporelles. Si vous devenez inconfortable lors du bain, éteindre l'unité. Se rafraîchir avec la douche, ouvrir la porte, ou sortir de l'unité.



AVERTISSEMENT : Risque d'allergie. Avant d'ajouter des huiles, thérapies aromatiques, ou produits de soin de la peau à l'aromathérapie, s'assurer que ces produits n'entraînent aucune réaction allergique à l'utilisateur.



AVERTISSEMENT : Risque de blessures corporelles. Le bain de vapeur peut infliger de la fatigue au corps, de même façon que tout bain chaud, douche, ou sauna. Par conséquent, le bain de vapeur n'est pas conseillé aux femmes enceintes, aux personnes souffrant de maladies cardiaques, d'hypertension, de problèmes de circulation, ou sous l'emprise d'alcool, de drogues ou sous traitement médical.



AVERTISSEMENT : Risque de blessures corporelles. NE PAS consommer de boissons alcoolisées ou de médicaments/drogues avant ou pendant l'utilisation du bain de vapeur. L'alcool et les drogues peuvent affecter les facultés mentales et inhiber certaines fonctions corporelles telles que le battement de cœur et la respiration, entraînant des effets potentiellement dangereux.



AVERTISSEMENT : Risque de blessure aux enfants. Le générateur de vapeur n'est pas conçu pour les enfants. Ne pas permettre aux enfants d'utiliser l'unité sans surveillance à tout moment.



AVERTISSEMENT : Risque de brûlures. Ne pas bloquer la tête de vapeur ou localiser près d'un siège ou banc, car elle est chaude durant l'opération et pourrait brûler l'utilisateur.



DANGER : Risque d'électrocution. Débrancher au disjoncteur principal avant de procéder à ces étapes d'installation.

Avant de commencer (cont.)



AVERTISSEMENT : Risque d'endommagement du matériel. Il doit y avoir un minimum de 12" (30,5 cm) de dégagement d'air autour du générateur de vapeur à tout moment. Ceci fournit un espace pour que la chaleur générée par l'unité se dissipe.



AVERTISSEMENT : Risque de blessures ou d'endommagement du produit. Ne pas diriger la valve de décharge vers l'enceinte. Au cas où la valve de décharge s'active, l'eau chaude pourrait éclabousser et causer des brûlures à l'utilisateur et/ou endommager la cabine. Ainsi, la valve de décharge devrait être dirigée vers un endroit où un dommage ne pourrait pas avoir lieu lors du contact avec de l'eau chaude et devrait aussi être conforme aux codes nationaux et locaux de plomberie.



AVERTISSEMENT : Risque de blessures corporelles. Ne pas niveler un siphon ou une valve de décharge avec la ligne de vapeur. L'installation d'une valve de décharge à cet endroit peut être dangereux si la sortie de vapeur est bouchée.



AVERTISSEMENT : Risque de blessures ou d'endommagement du produit. Le générateur de vapeur fonctionne à hautes températures. Éviter de toucher le réservoir d'eau et/ou le tuyau d'évacuation de vapeur pendant l'opération du générateur ou juste après son arrêt. Utiliser des lunettes et des vêtements de protection pendant l'entretien du générateur de vapeur.

IMPORTANT ! N'utiliser cette unité que pour l'usage destiné tel qu'indiqué dans ce manuel. **NE PAS** utiliser des dispositifs de fixation non recommandés par la Kohler Co.

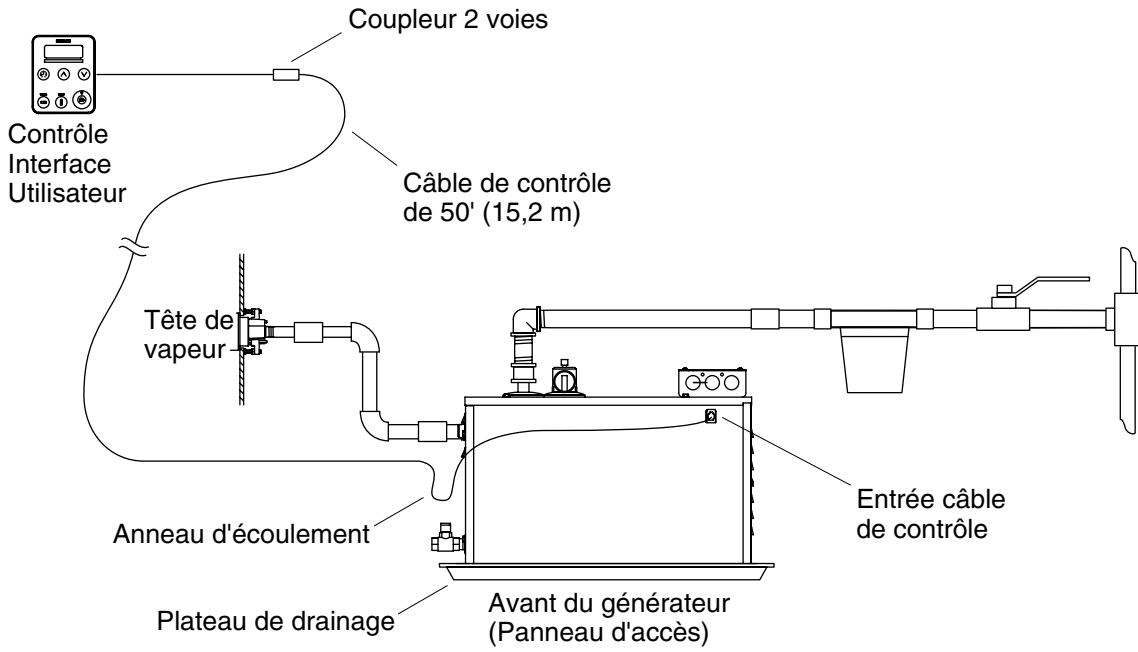
IMPORTANT ! Ne pas appliquer de chaleur excessive sur les connexions du générateur pendant le soudage des connexions. Ne pas mettre de décapant ou d'acide directement sur le générateur, pour éviter d'endommager les joints, composants en plastique ou pièces internes. Ne pas appliquer de lubrifiants à base de pétrole sur les composants du générateur, au risque de l'endommager.

- Respecter tous les codes de plomberie et électriques locaux. Tous les raccords électriques doivent être réalisés par un électricien qualifié.
- Ne pas installer un disjoncteur de fuite à la terre sur cette unité. Cela préviendra la fusion des fusibles.
- Débrancher avant d'effectuer toute connexion électrique.
- Connecter le générateur aux lignes d'alimentation d'eau qui sont conformes à tous les codes de plomberie. Utiliser les lignes d'alimentation non-conformes aux codes annulerait la garantie.
- Pour des installations customisées, localiser la tête de vapeur à 6" (15,2 cm) du sol et 4-1/2" (11,4 cm) de l'intérieur du seuil.

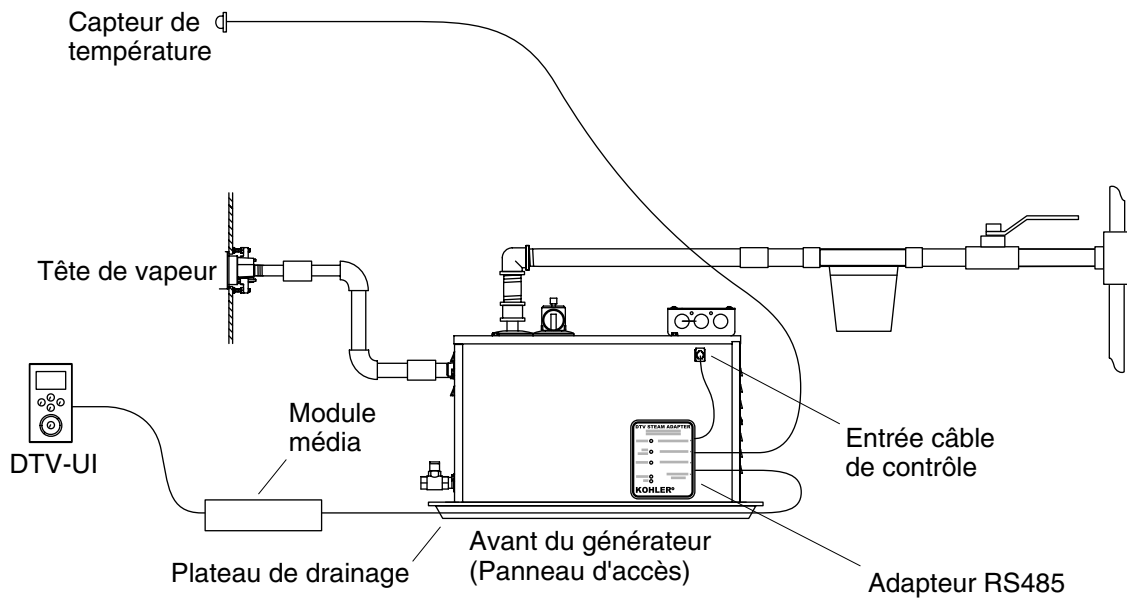
REMARQUE : Pour des problèmes ou questions concernant le dépannage et l'installation, composer le 1-800-585-STEAM (7832).

- Kohler Co. se réserve le droit d'apporter toutes modifications sur le design des produits et ceci sans préavis, tel que spécifié dans le catalogue des prix.

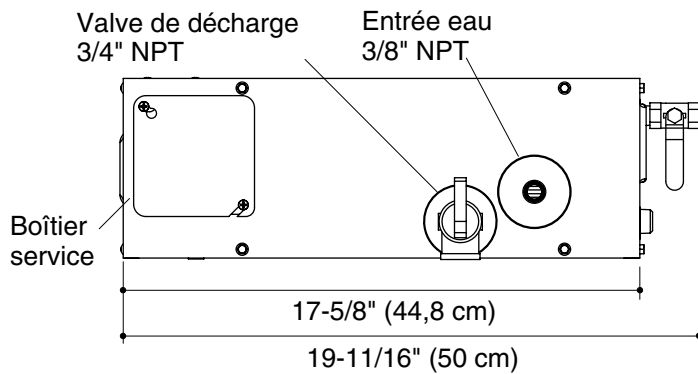
Option interface 1



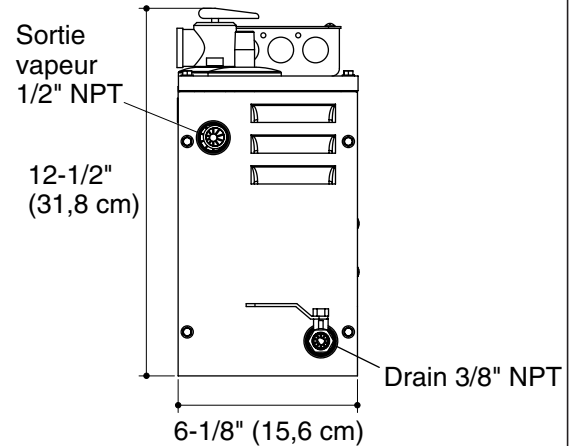
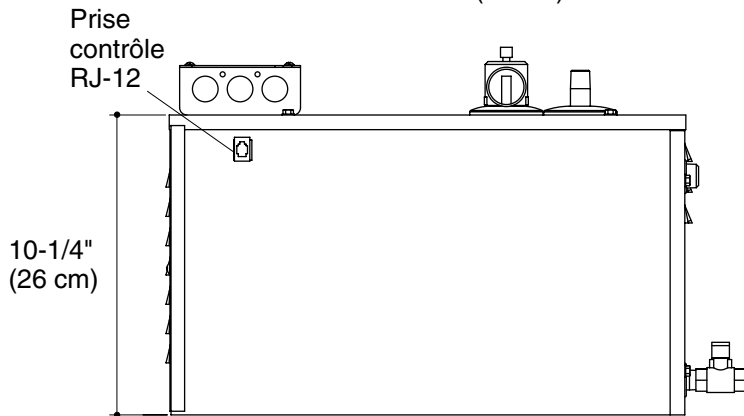
Option interface 2



Options de configuration par interface



Accès minimum requis de 20" (50,8 cm) L x 13" (33" cm) H x 6-1/2" (16,5 cm) l.



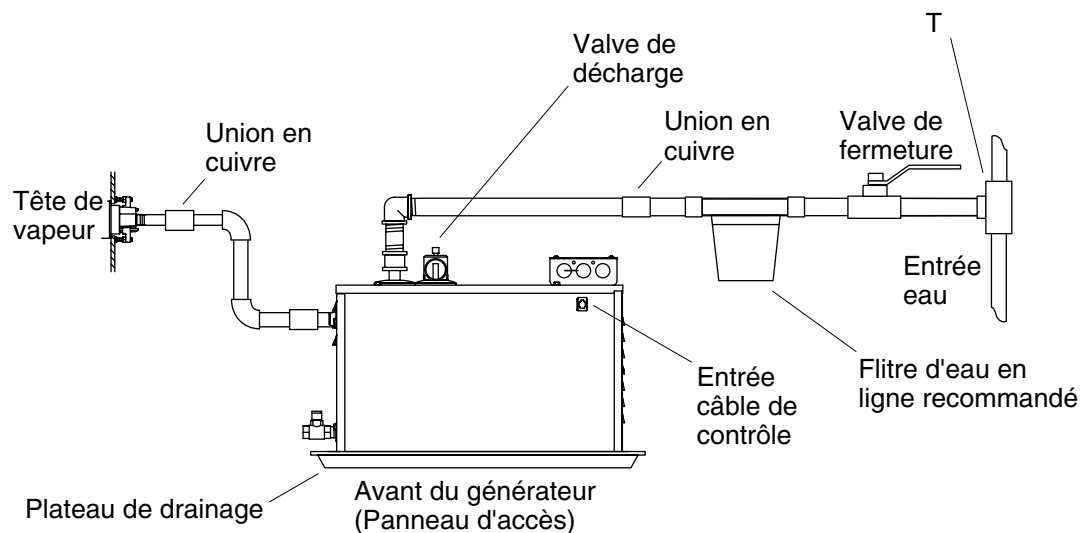
Exigences de l'installation

Modèle	K-1695-NA	K-1708-NA	K-1733-NA	K-1734-NA
Information pour commander				
Kit de contrôle de vapeur (un kit requis)	K-1647-PC OU K-1737, K-638, et K-694 ou K-695	K-1647-PC OU K-1737, K-638, et K-694 ou K-695	K-1647-PC OU K-1737, K-638, et K-694 ou K-695	K-1647-PC OU K-1737, K-638, et K-694 ou K-695
Branchement électrique requis				
Générateur - Circuit dédié requis	5 kW, 240 V 30 A, 50/60 Hz	7 kW, 240 V, 50 A, 50/60 Hz	9 kW, 240 V, 50 A, 50/60 Hz	11 kW, 240 V, 75 A, 50/60 Hz
Information sur le produit				
Poids	21 lbs (9,5 kg)	21 lbs (9,5 kg)	21 lbs (9,5 kg)	21 lbs (9,5 kg)
Calibrage électrique	240 V, 25 A, 60 Hz	240 V, 36 A, 60 Hz	240 V, 45 A, 60 Hz	240 V, 55 A, 60 Hz
Alimentation d'eau	Tuyau de 3/8" en cuivre (filetage femelle 3/8" NPT)	Tuyau de 3/8" en cuivre (filetage femelle 3/8" NPT)	Tuyau de 3/8" en cuivre (filetage femelle 3/8" NPT)	Tuyau de 3/8" en cuivre (filetage femelle 3/8" NPT)
Conduite de vapeur	Tuyau de 1/2" en cuivre (filetage de 1/2" NPT)	Tuyau de 1/2" en cuivre (filetage de 1/2" NPT)	Tuyau de 1/2" en cuivre (filetage de 1/2" NPT)	Tuyau de 1/2" en cuivre (filetage de 1/2" NPT)
Valve de décharge (fournie)	Filetage femelle de 3/4" NPT	Filetage femelle de 3/4" NPT	Filetage femelle de 3/4" NPT	Filetage femelle de 3/4" NPT
Valve de ligne de drain	Tuyau de 3/8" en cuivre (filetage femelle de 3/8" NPT)	Tuyau de 3/8" en cuivre (filetage femelle de 3/8" NPT)	Tuyau de 3/8" en cuivre (filetage femelle de 3/8" NPT)	Tuyau de 3/8" en cuivre (filetage femelle de 3/8" NPT)

**Exigences de
l'installation
(cont.)**

Évaluer la taille du bain à vapeur

	56 pieds cubiques (1,6 mètres cubes)	112 pieds cubiques (3,2 mètres cubes)	240 pieds cubiques (6,8 mètres cubes)	317 pieds cubiques (9 mètres cubes)
--	---	--	--	--



Remarque: Le générateur doit être monté, nivelé avec toutes les connexions par-dessus.

1. Installer la plomberie de raccordement



AVERTISSEMENT : Risque de brûlures ou d'endommagement du produit. Ne pas plomber la valve de décharge dans la conduite de vapeur. Plomber la valve de décharge dans la conduite de vapeur peut être dangereux si la conduite de vapeur est bouchée ou obstruée.



AVERTISSEMENT : Risque de blessures ou d'endommagement du produit. Ne pas diriger la soupape de décharge vers l'enceinte. Au cas où la valve de décharge s'active, l'eau chaude pourrait éclabousser et causer des brûlures à l'utilisateur et/ou endommager la cabine. Ainsi, la valve de décharge devrait être dirigée vers un endroit où un dommage ne pourrait pas avoir lieu lors du contact avec de l'eau chaude et devrait aussi être conforme aux codes nationaux et locaux de plomberie.

IMPORTANT ! Lors de l'installation du kit de contrôle, prévoir de l'espace pour un anneau d'écoulement du câble de contrôle. L'anneau d'écoulement préviendra l'humidité de s'écouler le long du câble de contrôle au générateur de vapeur.

IMPORTANT ! Le générateur de vapeur fonctionnera mieux lorsqu'il est installé plus proche de la tête de vapeur. L'unité devrait être installée à une distance maximale de 7,62 m. (7,6 m) par rapport à la tête de vapeur.

IMPORTANT ! Pour un rendement optimal, installer le générateur de vapeur au-dessous du niveau de la tête de vapeur.

REMARQUE : Les sections "Options de dispositions recommandées" incluent une information spécifique aux produits de bain et douche Kohler. Se référer à ces sections pour plus d'information concernant la disposition.

- Déterminer l'emplacement du générateur de vapeur. Permettre un passage d'air de 12" (30,5 cm) sur tous les côtés du (des) générateur(s). Prévoir pour le plateau de dégivrage.

Installer la plomberie de raccordement (cont.)

- Le plateau de dégivrage n'est pas inclus. Choisir un plateau de dégivrage selon le type d'installation.
- Raccorder un T à la ligne d'eau froide existante.

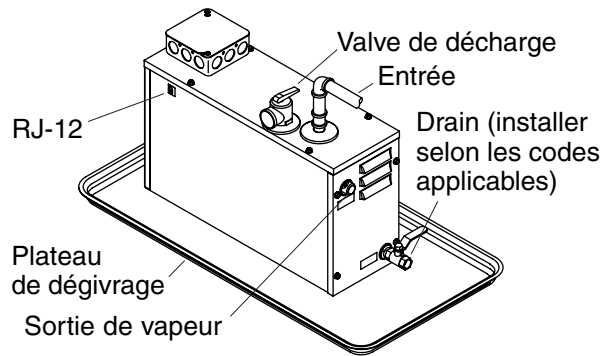
IMPORTANT ! Le filtre d'eau en ligne (recommandé) doit être installé entre la valve d'arrêt et l'entrée du générateur de vapeur.

- Si applicable, installer le filtre d'eau en ligne recommandé à la valve d'arrêt.
- Installer une valve d'arrêt à la ligne d'entrée d'eau dans une zone accessible avant le filtre en ligne recommandé.
- Installer une tuyauterie en cuivre du filtre d'eau en ligne (si applicable) à l'entrée du (des) générateur(s) de vapeur.
- Raccorder la valve de décharge à une ligne d'évacuation. La ligne du drain devrait être conforme à tous les codes applicables.
- Avant de connecter l'entrée de la conduite d'eau, purger la ligne d'eau dans un récipient pour chasser tous les débris ou autres matériaux pouvant être présents.
- Faire la connexion finale de l'alimentation d'eau au générateur de vapeur. Vérifier s'il y a des fuites.

REMARQUE : Tous les générateurs de vapeur Kohler sont équipés d'un système de remplissage d'eau automatique. L'eau s'arrêtera lorsque l'unité est remplie.

- Ouvrir l'arrivée d'eau pour remplir l'unité.
- Si la tuyauterie de sortie de vapeur excède 10' (3 m) ou est exposée à des emplacements froids, isoler cette tuyauterie avec une isolation pour vapeur.

Maintenir un espace de 12"
(30,5 cm) autour de l'unité.



2. Installer l'unité principale



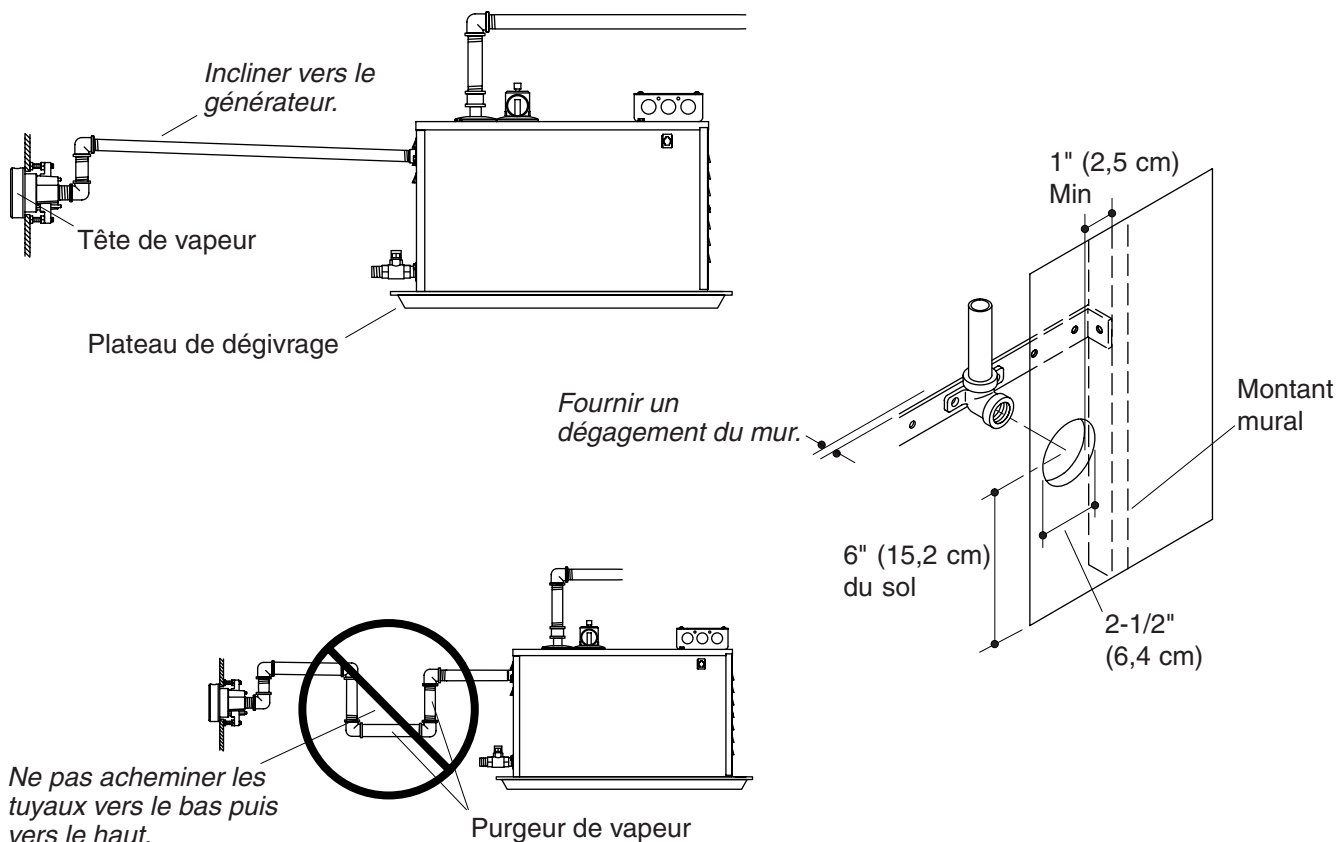
AVERTISSEMENT : Risque d'endommagement du matériel. Il doit y avoir un minimum de 12" (30,5 cm) de dégagement d'air autour du générateur de vapeur à tout moment. Ceci fournit un espace pour que la chaleur générée par l'unité se dissipe.



AVERTISSEMENT : Risque de blessures corporelles. Ne pas plomber un siphon ou une valve de décharge à la conduite de vapeur. L'installation d'une soupape de décharge à cet endroit peut être dangereux si la sortie de vapeur est bouchée.

IMPORTANT ! Pour une performance optimale, installer le générateur de vapeur au-dessous du niveau de la tête de vapeur et aussi proche de cette dernière que possible. L'unité devrait être installée dans les 25' (762,00 cm) de la tête de vapeur dans un endroit sec et bien ventilé.

- Installer le plateau de drain/déversement désiré sous l'unité.
- Nous recommandons qu'une valve de décharge soit connectée à une ligne de drain. La ligne du drain devrait être conforme à tous les codes applicables.
- Attacher la ligne d'alimentation d'eau à l'entrée d'eau.



3. Installer la tuyauterie



AVERTISSEMENT : Risque de brûlures. Ne pas plomber un siphon, une valve d'arrêt ou une valve de décharge à la conduite de vapeur. L'installation d'une soupape de décharge à cet endroit peut être dangereux si la sortie de vapeur est bouchée.



AVERTISSEMENT : Risque de brûlures. Ne pas localiser la tête de vapeur près d'un siège ou d'un banc car des brûlures pourraient être causées par contact avec la tête de vapeur.

REMARQUE : Suivre les instructions emballées avec la tête de vapeur et le contrôle d'interface de l'utilisateur.

IMPORTANT ! Les têtes de vapeur doivent être installées à au-moins 6" (15,2 cm) du sol dans la cabine de douche/vapeur où le contact avec les occupants est improbable.

IMPORTANT ! Fournir un espace entre le mur arrière et les coudes. Les coudes ne devraient pas être en contact avec le mur arrière.

REMARQUE : Le rebord de chaque orifice devrait être éloigné des montants de mur d'au moins 1" (2,5 cm).

- Percer un orifice de Ø 2-1/2" (6,4 cm) dans le mur aux emplacements désirés du générateur de vapeur.

REMARQUE : Pour toutes les connexions, utiliser du ruban d'étanchéité pour filetage et ne pas trop serrer les raccords.

- Connecter un tube ou un tuyau en cuivre de 1/2" NPT et un raccord en laiton de 1/2" à la sortie du générateur de vapeur.

Installer la tuyauterie (cont.)

IMPORTANT ! Ne jamais faire passer les conduites de vapeur vers le bas puis le haut. Cela provoquera l'obstruction de la vapeur, bloquant le débit de vapeur. Chaque conduite de vapeur devrait aller à la tête de vapeur à partir du générateur, à une inclinaison de 3/8" (1 cm) à 1/2" (1,3 cm) par 12" (30,5 cm) de tuyau.

IMPORTANT ! Ne jamais faire passer les conduites de vapeur parfaitement à l'horizontale. Chaque conduite devrait avoir une inclinaison de 3/8" (1 cm) à 1/2" (1,3 cm) par 12" (30,5 cm) de tuyau, du générateur de vapeur à la tête de vapeur.

- Installer un tuyau de 1/2" en cuivre de chaque union aux emplacements d'installation de l'ensemble des logements de la tête de vapeur.
- Installer un coud de connexion de 1/2" NPT à l'extrémité de chaque ensemble de logement de vapeur.
- Sécuriser les connexions au cadrage là où c'est possible.

REMARQUE : Le(s) générateur(s) de vapeur ne fonctionnera(ont) pas sans eau et sans contrôle d'interface d'utilisateur connecté.

4. Installer la tête de vapeur

REMARQUE : Suivre les instructions emballées avec le kit de tête de vapeur.

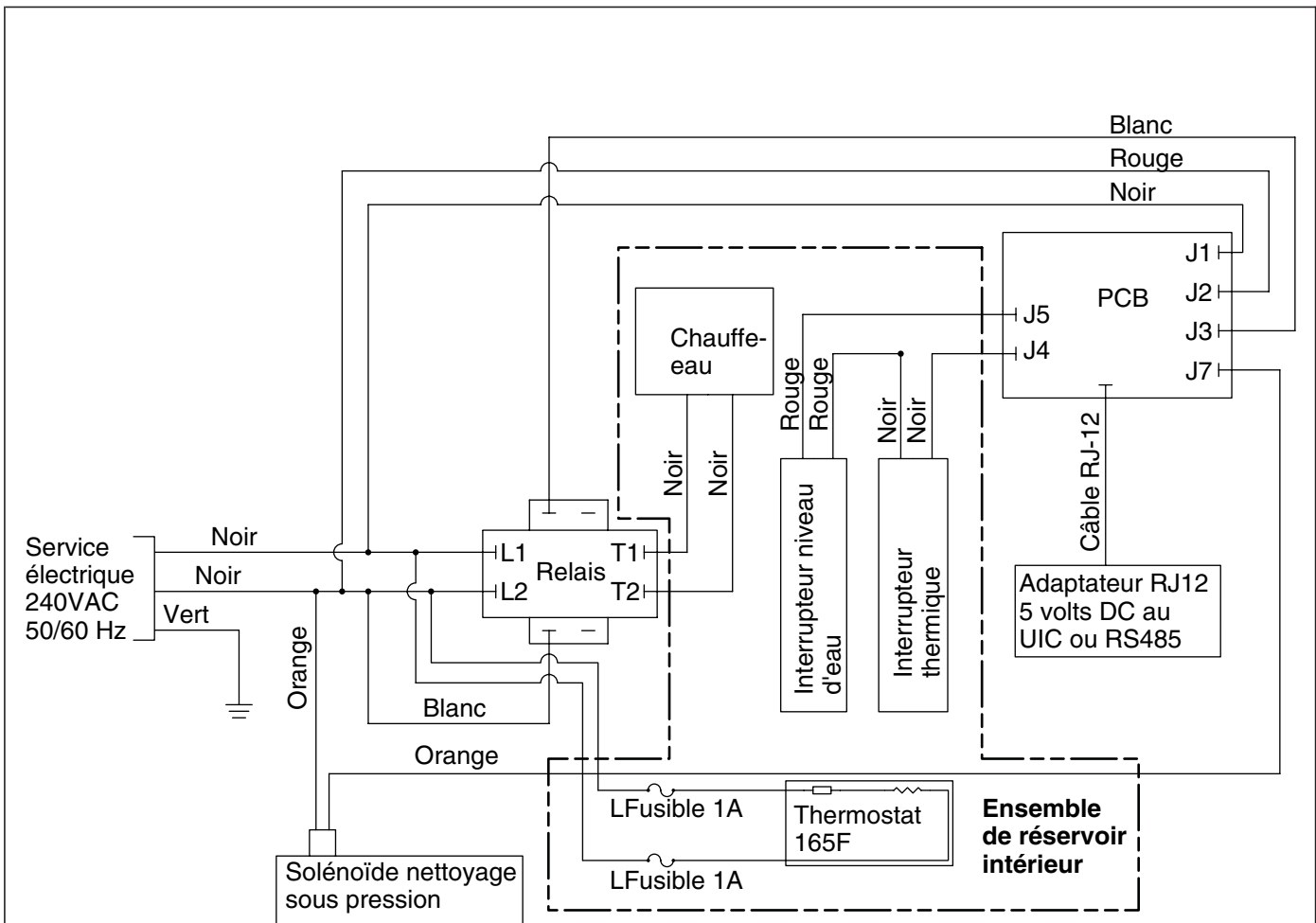


Diagramme du câblage

5. Faire les connexions électriques



DANGER : Risque d'électrocution. Débrancher avant de réaliser ces étapes d'installation.

IMPORTANT ! Tous les raccords électriques doivent être réalisés par un électricien qualifié.

IMPORTANT ! Ne pas installer un disjoncteur de fuite à la terre sur cette unité. Cela préviendra la fusion des fusibles.

IMPORTANT ! Tout le câblage électrique doit être conforme aux codes locaux.

- Couper la courant dans l'aire de travail au disjoncteur principal.
- Connecter les lignes électriques de 240 VAC aux câbles numérotés "1" et "2" provenant du générateur de vapeur.

IMPORTANT ! Le générateur de vapeur devrait être muni d'un disjoncteur dédié.

6. Installer le contrôle d'interface de l'utilisateur de vapeur

REMARQUE : Suivre les instructions emballées avec le contrôle d'interface de l'utilisateur.

Opérer le contrôle d'interface de l'utilisateur de vapeur

REMARQUE : Suivre les instructions emballées avec le contrôle d'interface de l'utilisateur.

Guide de dépannage

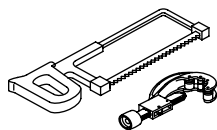
REMARQUE : Se référer à l'information emballée avec la tête de vapeur et le contrôle d'interface de l'utilisateur pour de l'assistance dans le dépannage du système.

Le guide de dépannage est seulement destiné à une aide générale. Pour des problèmes ou questions concernant le dépannage et l'installation, composer le 1-800-585-STEAM (7832).

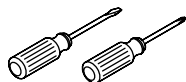
Guía de instalación

Generador de vapor

Herramientas y materiales



Sierra para metales o cortatubos



Destornilladores



Cinta para medir



Taladro con broca para orificios de 1-1/4" y 2-1/2"



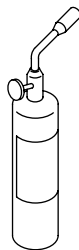
Llave ajustable



Suelda



Cinta selladora



Soplete de propano

Más:

- Herramientas y materiales convencionales de carpintería
- Bandeja de goteo
- Tubería de cobre de 1/2"
- Adaptadores de cobre de diferentes tamaños
- Uniones de 1/2" y 3/4" NPT

Antes de comenzar

¡**IMPORTANTE!** Al usar esta unidad, siempre siga las precauciones básicas.



ADVERTENCIA: Riesgo de lesiones personales. Si usted no se siente bien mientras toma el baño de vapor, apague la unidad. Tome una ducha fría, abra la puerta o salga de la unidad.



ADVERTENCIA: Riesgo de reacciones alérgicas. Antes de agregar aceites, productos terapéuticos aromáticos o productos para el cuidado de la piel al recipiente para aromaterapia, asegúrese de que éstos no causen una reacción alérgica al usuario.



ADVERTENCIA: Riesgo de lesiones personales. El baño de vapor puede causar fatiga, tal como lo hacen los baños calientes, las duchas y los baños sauna. Por ello, el baño de vapor no es recomendable para mujeres embarazadas, personas que padezcan problemas cardíacos, hipertensión, problemas circulatorios, así como personas que estén bajo la influencia de bebidas alcohólicas, drogas, medicamentos o bajo la atención de un médico.



ADVERTENCIA: Riesgo de lesiones personales. **NO** consuma bebidas alcohólicas ni tome medicamentos antes o durante el uso del baño de vapor. El uso de alcohol y drogas afecta la capacidad mental e inhibe ciertas funciones corporales tales como el ritmo cardíaco y la respiración, lo cual constituye un serio peligro.



ADVERTENCIA: Riesgo de lesiones a los niños. El generador de vapor no está diseñado para que lo usen los niños. No permita que los niños utilicen esta unidad sin estricta supervisión en todo momento.



ADVERTENCIA: Riesgo de quemaduras. No bloquee el cabezal de vapor ni lo instale cerca de un asiento o banca, puesto que el cabezal de vapor se calienta durante el funcionamiento y si el usuario lo toca puede quemarse.



PELIGRO: Riesgo de electrocución. Antes de realizar estos pasos de instalación, desconecte la corriente eléctrica al área de trabajo desde el panel principal de interruptores.

Antes de comenzar (cont.)



ADVERTENCIA: Riesgo de daños a la propiedad. Siempre debe haber un espacio libre mínimo de 12" (30,5 cm) alrededor del generador de vapor. Esta área permitirá la disipación del calor generado por la unidad.



ADVERTENCIA: Riesgo de lesiones personales o daños a la propiedad. No dirija la válvula de alivio de presión hacia la cabina. En caso de que la válvula de alivio de presión se active, el agua caliente puede rociarse, produciendo quemaduras al usuario y/o daños a la cabina. Por lo tanto, esta válvula de alivio debe estar dirigida hacia un área que no se dañe al entrar en contacto con el agua caliente y en cumplimiento con los códigos de plomería nacionales y locales.



ADVERTENCIA: Riesgo de lesiones personales. No instale una trampa en la línea de vapor ni una válvula de alivio de presión en la línea de vapor. La instalación de una válvula de alivio de presión en la línea de vapor puede ser peligrosa si la salida de vapor se tapa.



ADVERTENCIA: Riesgo de lesiones personales o daños a la propiedad. El generador de vapor funciona a altas temperaturas. Evite el contacto con el tanque de agua y las líneas de descarga de vapor durante el funcionamiento del generador o inmediatamente después de apagarlo. Utilice lentes de seguridad y ropa protectora al dar mantenimiento al generador de vapor.

¡IMPORTANTE! Use esta unidad solamente para el fin con el que se ha diseñado, como se especifica en este manual. **NO** use equipos adicionales que no estén recomendados por Kohler Co.

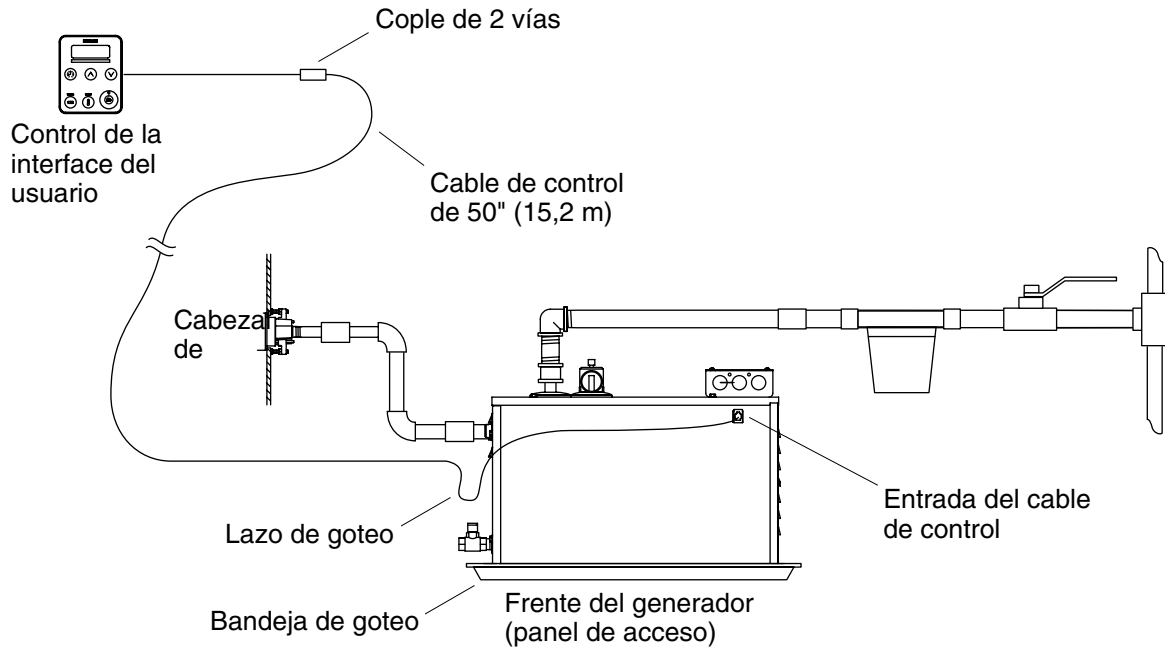
¡IMPORTANTE! Al soldar las conexiones, no aplique calor excesivo a las conexiones del generador. No aplique fundente ni ácidos directamente al generador, pues ello podría dañar los sellos, los componentes plásticos y el acabado de la guarnición. No aplique lubricantes derivados del petróleo a los componentes del generador, pues se pueden causar daños.

- Cumpla con todos los códigos locales de electricidad y de plomería. Todas las conexiones eléctricas deben ser realizadas por un electricista calificado.
- No instale un interruptor de circuito con pérdida a tierra (GFCI) en esta unidad. Esto evitará el corte repetido y molesto de la energía eléctrica.
- Desconecte toda la energía eléctrica antes de hacer las conexiones eléctricas.
- Conecte el generador de vapor a líneas de suministro de agua que cumplan con todos los códigos de plomería correspondientes. El uso de líneas de suministro que no cumplan con los códigos puede anular la garantía.
- Para instalaciones a la medida, coloque el cabezal de vapor a 6" (15,2 cm) del piso y 4-1/2" (11,4 cm) del interior del umbral.

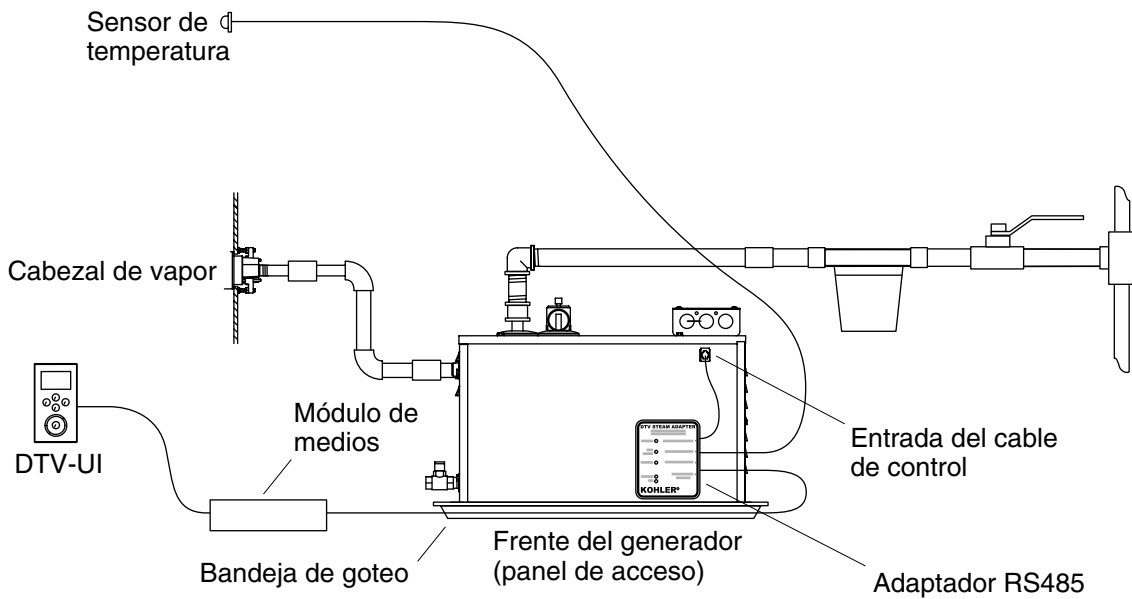
NOTA: Para preguntas de servicio e instalación, llame al 1-800-585-STEAM (7832).

- Kohler Co. se reserva el derecho de modificar el diseño de los productos sin previo aviso, tal como se especifica en la lista de precios.

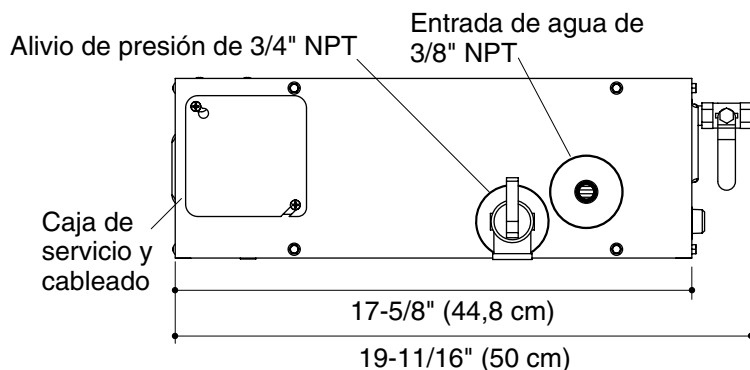
Opción interface 1



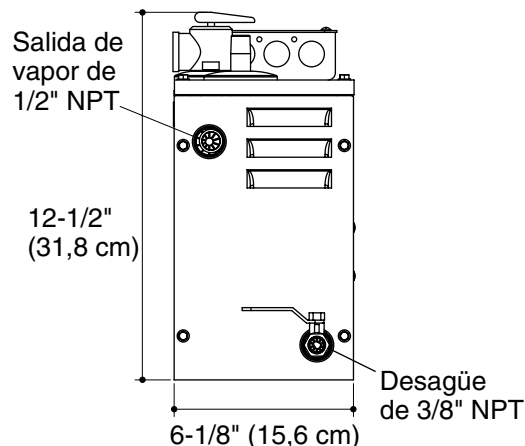
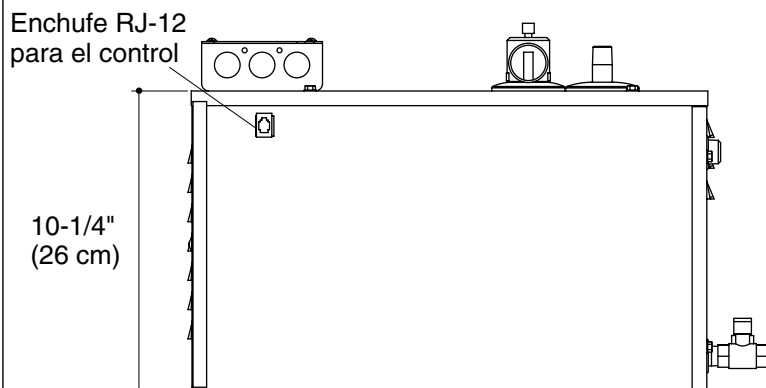
Opción interface 2



Opciones de configuración por interface



Acceso mínimo requerido de 20" (50,8 cm) de profundo x 13" (33 cm) de alto x 6-1/2" (16,5 cm) de ancho.



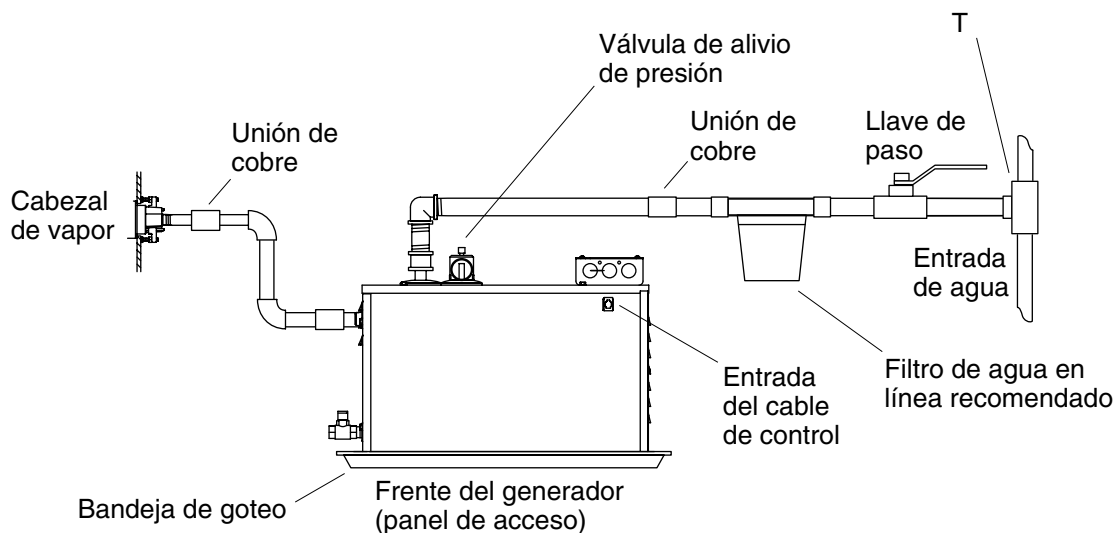
Requisitos de instalación

Modelo	K-1695-NA	K-1708-NA	K-1733-NA	K-1734-NA
Información para pedidos				
Kit de control de vapor (se requiere un kit)	K-1647-PC O BIEN K-1737, K-638, y K-694 o K-695	K-1647-PC O BIEN K-1737, K-638, y K-694 o K-695	K-1647-PC O BIEN K-1737, K-638, y K-694 o K-695	K-1647-PC O BIEN K-1737, K-638, y K-694 o K-695
Requisitos eléctricos				
Generador - Requiere un circuito dedicado	5 kW, 240 V 30 A, 50/60 Hz	7 kW, 240 V, 50 A, 50/60 Hz	9 kW, 240 V, 50 A, 50/60 Hz	11 kW, 240 V, 75 A, 50/60 Hz
Información sobre el producto				
Peso	21 lbs (9,5 kg)	21 lbs (9,5 kg)	21 lbs (9,5 kg)	21 lbs (9,5 kg)
Capacidad eléctrica	240 V, 25 A, 60 Hz	240 V, 36 A, 60 Hz	240 V, 45 A, 60 Hz	240 V, 55 A, 60 Hz
Suministro de agua	Línea de cobre de 3/8" (rosca hembra NPT de 3/8")	Línea de cobre de 3/8" (rosca hembra NPT de 3/8")	Línea de cobre de 3/8" (rosca hembra NPT de 3/8")	Línea de cobre de 3/8" (rosca hembra NPT de 3/8")
Línea de vapor	Línea de cobre de 1/2" (rosca NPT de 1/2")	Línea de cobre de 1/2" (rosca NPT de 1/2")	Línea de cobre de 1/2" (rosca NPT de 1/2")	Línea de cobre de 1/2" (rosca NPT de 1/2")
Válvula de alivio de presión (provista)	Rosca hembra NPT de 3/4"	Rosca hembra NPT de 3/4"	Rosca hembra NPT de 3/4"	Rosca hembra NPT de 3/4"
Válvula de la línea de desagüe	Línea de cobre de 3/8" (rosca hembra NPT de 3/8")	Línea de cobre de 3/8" (rosca hembra NPT de 3/8")	Línea de cobre de 3/8" (rosca hembra NPT de 3/8")	Línea de cobre de 3/8" (rosca hembra NPT de 3/8")

**Requisitos de
instalación
(cont.)**

Tamaño del cuarto de vapor

	56 pies cúbicos (1,6 metros cúbicos)	112 pies cúbicos (3,2 metros cúbicos)	240 pies cúbicos (6,8 metros cúbicos)	317 pies cúbicos (9 metros cúbicos)
--	--------------------------------------	---------------------------------------	---------------------------------------	-------------------------------------



Nota: El generador debe montarse a nivel con todas las conexiones en la parte superior.

1. Instale el tendido de tuberías



ADVERTENCIA: Riesgo de quemaduras o daño a la propiedad. No instale la válvula de alivio de presión en la línea de vapor. La instalación de una válvula de alivio de presión en la tubería de vapor puede crear un peligro si la línea de vapor se tapa u obstruye.



ADVERTENCIA: Riesgo de lesiones personales o daños a la propiedad. No dirija la válvula de alivio de presión hacia la cabina. En caso de que la válvula de alivio de presión se active, el agua caliente puede rociarse, produciendo quemaduras al usuario y/o daños a la cabina. Por lo tanto, esta válvula de alivio debe estar dirigida hacia un área que no se dañe al entrar en contacto con el agua caliente y debe cumplir con los códigos de plomería nacionales y locales.

¡IMPORTANTE! Al instalar el kit de control, deje suficiente cable de control para un lazo de goteo. El lazo de goteo ayudará a impedir que la humedad siga el cable de control al generador de vapor.

¡IMPORTANTE! El generador de vapor funcionará mejor si se instala lo más cerca posible del cabezal de vapor. La unidad debe instalarse dentro de una distancia de 25' (7,62 m) del cabezal de vapor.

¡IMPORTANTE! Para un óptimo desempeño, instale el generador de vapor a un nivel más abajo que el cabezal de vapor.

NOTA: Las secciones "Opciones recomendadas de disposición" tienen información específica sobre los productos de Kohler para bañeras y duchas. Consulte esas secciones para mayor información sobre la disposición de los componentes.

- Determine el lugar de instalación del generador de vapor. Deje un espacio de 12" (30,5 cm) en todos los lados del generador. Deje espacio para la bandeja de goteo.
- La bandeja de goteo no se provee. Elija una bandeja que sea apta para su instalación.
- Conecte una T en la línea de agua fría existente.

Instale el tendido de tuberías (cont.)

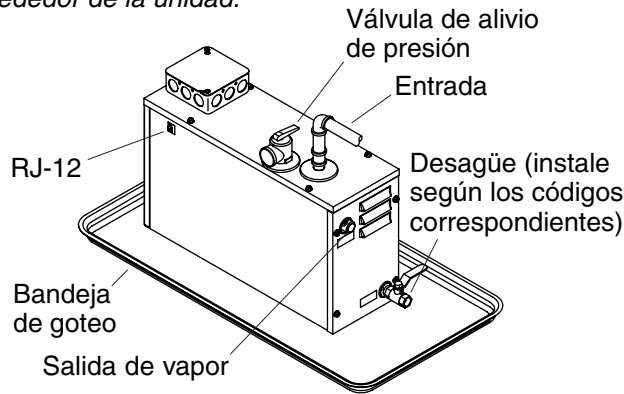
¡IMPORTANTE! Se debe instalar un filtro de agua en línea (recomendado) entre la llave de paso y la entrada del generador de vapor.

- Si corresponde, instale el filtro de agua en línea recomendado a la llave de paso.
- Instale una llave de paso en la línea de entrada de agua, en un lugar accesible, antes del filtro en línea recomendado.
- Instale tubería de cobre desde el filtro de agua en línea (si corresponde) a la entrada en el generador o generadores de vapor.
- Conecte la válvula de alivio de presión a la línea de desagüe. La línea de desagüe debe cumplir con todos los códigos correspondientes.
- Antes de conectar la línea de entrada de agua, haga correr agua en las líneas hacia una cubeta grande para eliminar los residuos minerales u otros desechos que pueda haber en la línea.
- Haga la conexión final del suministro de agua al generador de vapor. Verifique que no haya fugas.

NOTA: Todos los generadores de vapor Kohler están equipados con un sistema automático de llenado de agua. El agua dejará de fluir una vez que la unidad esté llena.

- Abra el agua para llenar la unidad.
- Si el tendido de la tubería de la salida del vapor excede 10' (3 m) o queda expuesta a zonas frías, aisle la tubería con aislamiento de calidad para vapor.

Mantenga un espacio libre de 12" (30,5 cm) alrededor de la unidad.



2. Instale la unidad principal



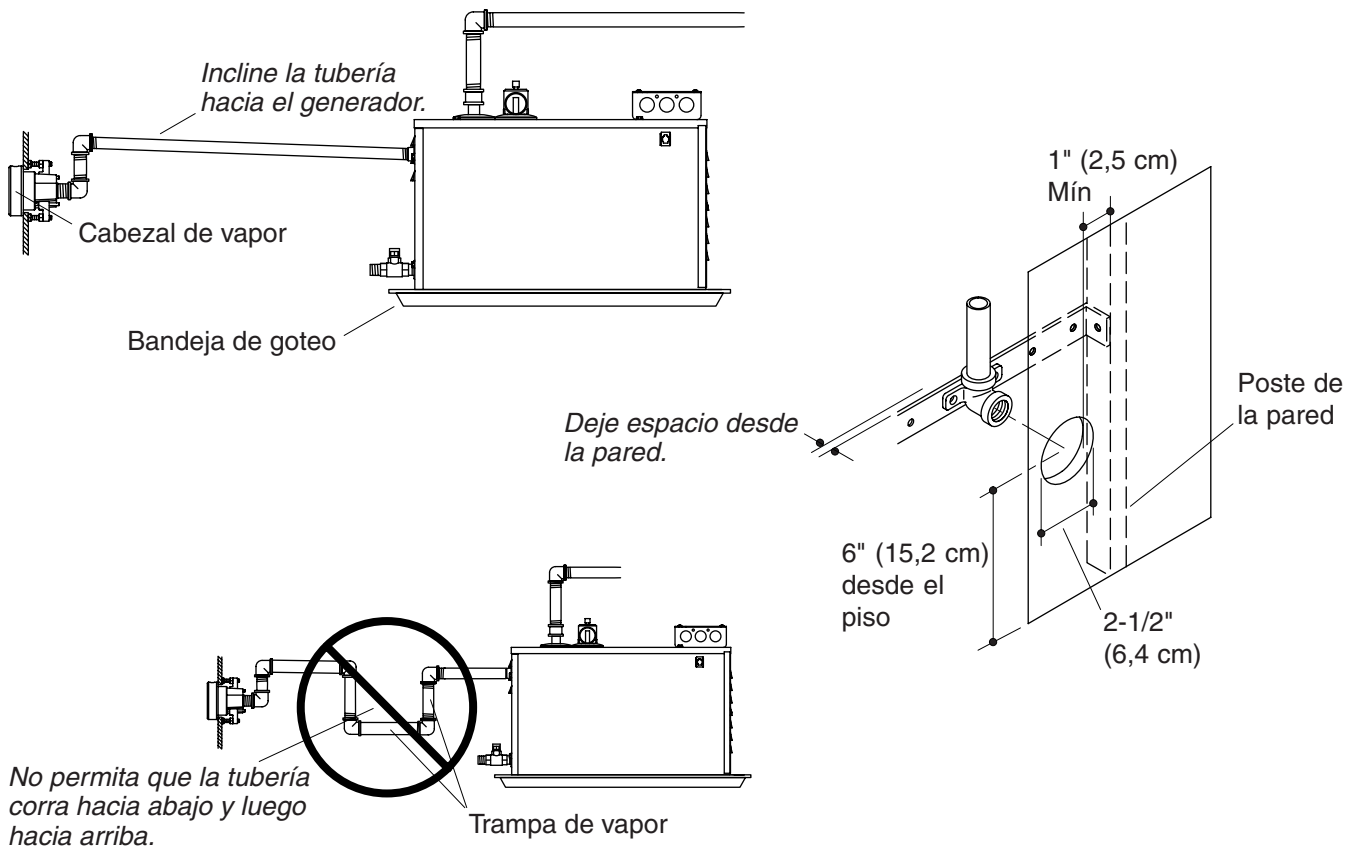
ADVERTENCIA: Riesgo de daños a la propiedad. Siempre debe haber un espacio libre mínimo de 12" (30,5 cm) alrededor del generador de vapor. Esta área permitirá la disipación del calor generado por la unidad.



ADVERTENCIA: Riesgo de lesiones personales. No instale una trampa ni una válvula de alivio de presión en la línea de vapor. La instalación de una válvula de alivio de presión en la línea de vapor puede ser peligrosa si la salida de vapor se tapa.

¡IMPORTANTE! Para un óptimo desempeño, instale el generador de vapor a un nivel más abajo que el cabezal de vapor y lo más cerca posible al cabezal de vapor. La unidad debe instalarse dentro de una distancia de 25 pies (7,62 m) del cabezal de vapor, en un lugar seco y bien ventilado.

- Instale la bandeja de goteo debajo de la unidad.
- Se recomienda que conecte la válvula de alivio de presión a la línea de desagüe. La línea de desagüe debe cumplir con todos los códigos correspondientes.
- Conecte la línea de suministro de agua a la entrada de agua.



3. Instale las tuberías



ADVERTENCIA: Riesgo de quemaduras. No instale una trampa, llave de paso ni válvula de alivio de presión en la línea de vapor. La instalación de una válvula de alivio de presión en la tubería de vapor puede presentar un peligro en caso de que se tape la salida de vapor.



ADVERTENCIA: Riesgo de quemaduras. No instale el cabezal de vapor cerca de un asiento o banca, pues pueden ocurrir quemaduras por contacto con el cabezal de vapor.

NOTA: Siga las instrucciones incluidas con su cabezal de vapor y control de interface del usuario.

¡IMPORTANTE! Los cabezales de vapor se deben instalar a 6" (15,2 cm) desde el piso en la cabina de vapor/ducha en un área donde no sea probable el contacto con los ocupantes.

¡IMPORTANTE! Deje espacio entre la pared posterior y los codos. Los codos no debe tocar la pared posterior.

NOTA: El filo de cada orificio debe estar a por lo menos 1" (2,5 cm) de todos los postes de la pared.

- Taladre un orificio de 2-1/2" (6,4 cm) de diámetro en la pared en los lugares donde desee colocar los cabezales de vapor.

NOTA: Utilice cinta selladora de roscas en todas las conexiones y no las apriete demasiado.

- Conecte un tubo de cobre de 1/2" NPT, o bien tubería de cobre corriente y una unión de cobre de 1/2" en la salida de vapor del generador de vapor.

¡IMPORTANTE! Nunca instale líneas de vapor que corra hacia abajo y luego hacia arriba. Si las líneas de vapor corren hacia abajo y luego hacia arriba, el vapor se condensará y obstruirá el flujo de vapor. Cada línea de vapor debe correr hacia arriba hasta el cabezal de vapor desde el generador, con una inclinación de 3/8" (1 cm) a 1/2" (1,3 cm) por cada 12" (30,5 cm) de tubo.

Instale las tuberías (cont.)

¡IMPORTANTE! Nunca instale líneas de vapor que corran perfectamente horizontal. Cada línea debe tener una inclinación de 3/8" (1 cm) a 1/2" (1,3 cm) por cada 12" (30,5 cm) de tubo, que corra hacia arriba desde el generador de vapor al cabezal de vapor.

- Instale un tubo de cobre de 1/2" desde cada unión hasta a los lugares de instalación de los cárteres de los cabezales de vapor.
- Instale un codo de conexión de 1/2" NPT en el extremo de cada cárter del cabezal de vapor.
- Fije las conexiones a la estructura de soporte, siempre que sea posible.

NOTA: El generador o generadores de vapor no funcionarán sin agua y sin estar conectados a un control de interface del usuario.

4. Instale el cabezal de vapor

NOTA: Siga las instrucciones incluidas con su kit de cabezal de vapor.

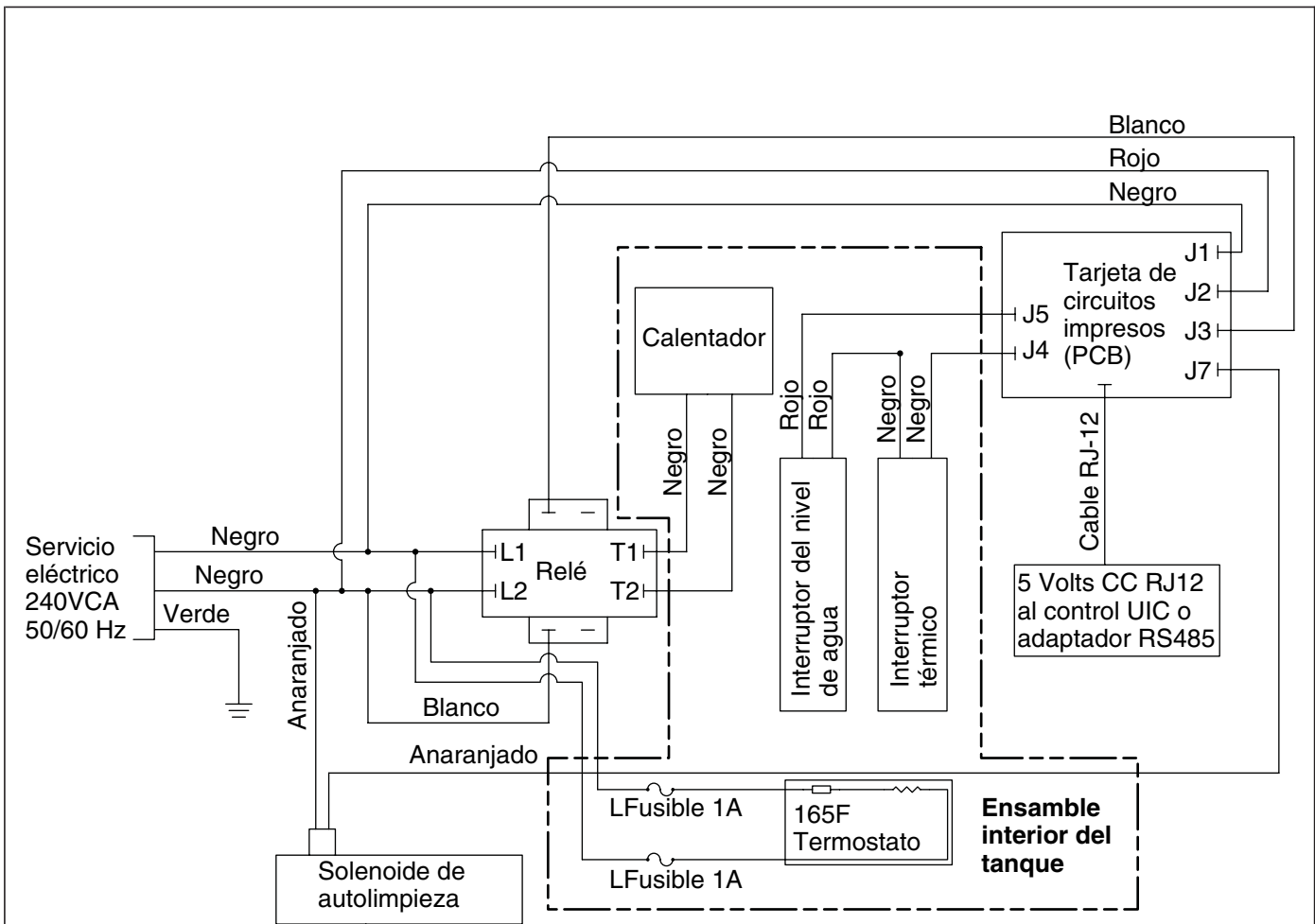


Diagrama del cableado

5. Realice las conexiones eléctricas



PELIGRO: Riesgo de electrocución. Desconecte toda la energía eléctrica antes de seguir estos pasos de instalación.

¡**IMPORTANTE!** Todas las conexiones eléctricas deben ser realizadas por un electricista calificado.

¡**IMPORTANTE!** No instale un interruptor de circuito con pérdida a tierra (GFCI) en esta unidad. Esto evitará el corte repetido y molesto de la energía eléctrica.

¡**IMPORTANTE!** Todo el cableado eléctrico debe realizarse de conformidad con los códigos locales.

- Corte toda la corriente eléctrica al área de trabajo desde el panel principal de interruptores.
- Conecte líneas eléctricas de 240 VCA a los cables identificados "1" y "2" provenientes del generador de vapor.

Realice las conexiones eléctricas (cont.)

¡IMPORTANTE! El generador de vapor debe tener un interruptor de circuito dedicado.

6. Instale el control de la interface del usuario de vapor

NOTA: Siga las instrucciones incluidas con su control de interface del usuario.

Funcionamiento del control de la interface del usuario de vapor

NOTA: Siga las instrucciones incluidas con su control de interface del usuario.

Guía para resolver problemas

NOTA: Consulte la información provista con su cabezal de vapor y control de interface del usuario para obtener ayuda para resolver problemas del sistema.

La guía para resolver problemas está diseñada únicamente como ayuda general. Para preguntas de servicio e instalación, llame al 1-800-585-STEAM (7832).

USA: 1-800-4-KOHLER
Canada: 1-800-964-5590
México: 001-877-680-1310

kohler.com

THE BOLD LOOK
OF **KOHLER**®

©2007 Kohler Co.

1060226-2-D