

### Features

- Cast iron with Safeguard® finish
- ADA compliant when installed with seat at head end
- Left or right drain
- 66" (167.6 cm) x 32" (81.3 cm) x 16-1/4" (41.3 cm)

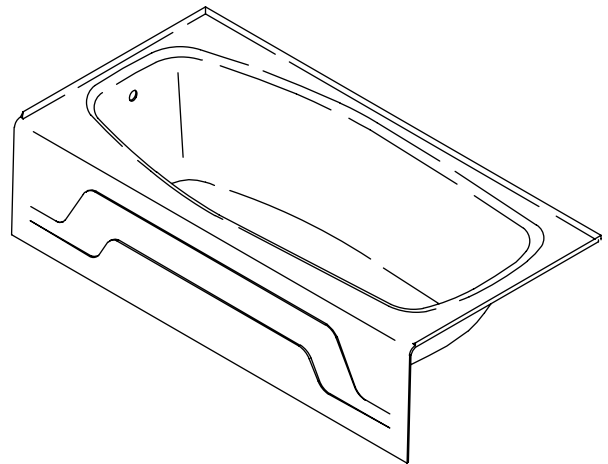
5.5 BATH  
**K-515**  
 ALSO K-516

ADA

### Codes/Standards Applicable

Specified model meets or exceeds the following:

- ADA
- ASME A112.19.1
- ICC/ANSI A117.1
- IAPMO/UPC
- CSA International



### Colors/Finishes

- 0: White
- Other: Refer to Price Book for additional colors/finishes

### Accessories

- 0: White
- CP: Polished Chrome
- PB: Vibrant® Polished Brass
- Other: Refer to Price Book for additional colors/finishes

### Specified Model

Model	Description	Colors/Finishes	
K-515	Bath with drain at left	<input type="checkbox"/> 0	<input type="checkbox"/> Other _____
K-516	Bath with drain at right	<input type="checkbox"/> 0	<input type="checkbox"/> Other _____
<b>Recommended Accessories</b>			
K-7160-TF	Clearflo pop-up drain	<input type="checkbox"/> CP	<input type="checkbox"/> PB <input type="checkbox"/> Other _____
<b>Optional Accessories</b>			
K-1491	Pillow	<input type="checkbox"/> 0	<input type="checkbox"/> Other _____
K-1601	Footstop	<input type="checkbox"/> 0	<input type="checkbox"/> Other _____

### Product Specification

The bath shall be 66" (167.6 cm) in length, 32" (81.3 cm) in width, and 16-1/4" (41.3 cm) in height. The bath shall be made of cast iron with a Safeguard finish. The bath shall have a left or right drain. The bath shall be ADA compliant when installed with a seat at head end. The bath shall be Kohler Model K-\_\_\_\_\_-\_\_\_\_\_.

# DYNAMETRIC®

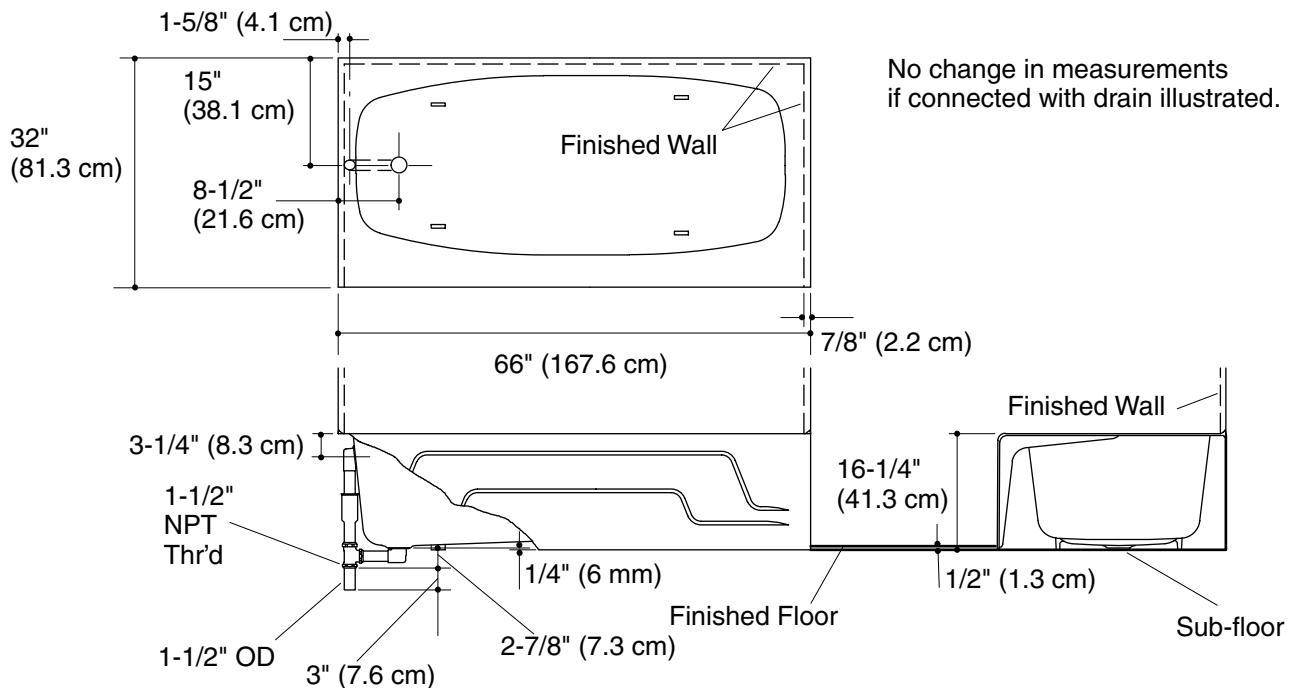
## Technical Information

Fixture*:	
Basin area:	
Bathing well	47" (119.4 cm) x 22" (55.9 cm)
Top area	60" (152.4 cm) x 25" (63.5 cm)
To overflow:	
Water depth	10-7/8" (27.6 cm)
Capacity	47 gal (177.9 L)
Weight	376 lbs (170.6 kg)
* Approximate measurements for comparison only.	

## Installation Notes

Install this product according to the installation guide.

Floor support under bath must provide for a minimum of 54 lbs/square foot (264 kg/square meter) loading.



## Product Diagram