

### Product Information

Applicable product:	
Bath	K-1510-X
Bath is ADA compliant when installed per the requirements of the Accessibility Guidelines. <b>ADA</b>	
Recommended accessories:	
Pop-up drain	K-7161-AF
Fixture*:	
Basin area:	
Bathing well	42" (106.7 cm) x 17" (43.2 cm)
Top area	55" (139.7 cm) x 25" (63.5 cm)
To overflow:	
Water depth	12-1/8" (30.8 cm)
Capacity	50 gal (27.2 L)
Weight	60 lbs (27.2 kg)
Drop-in cutout	58-1/2" (148.6 cm) x 28-1/2" (72.4 cm)
* Approximate measurements for comparison only.	

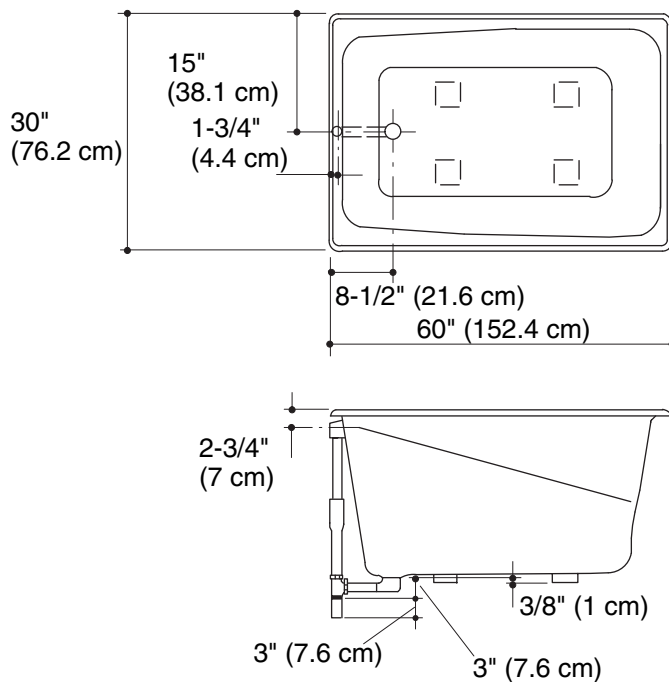
### Installation Notes

Install this product according to the installation guide.

The apron must be installed before the finished floor and wall materials are installed.

Floor support under bath must provide for a minimum of 47 lbs/square foot (229 kg/square meter) loading.

Fixture conforms to ANSI Standard Z124.1.2. All dimensions are nominal.



No change in measurements if connected with drain illustrated.

