

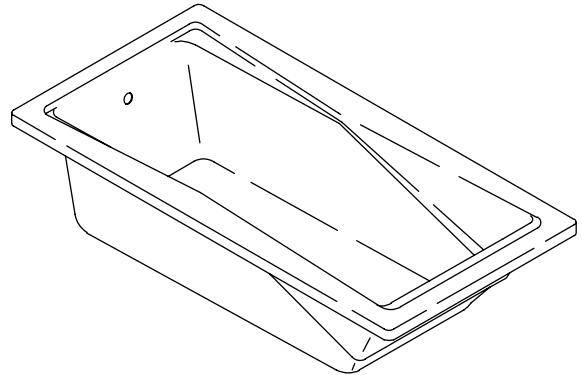
Features

- Acrylic
- Optional K-1279 front apron
- 60" (152.4 cm) x 30" (76.2 cm) x 17" (43.2 cm)

Codes/Standards Applicable

Specified model meets or exceeds the following:

- ADA
- ANSI Z124.1.2
- IAPMO/UPC
- CSA International



Colors/Finishes

- 0: White
- Other: Refer to Price Book for additional colors/finishes

Accessories

- 0: White
- CP: Polished Chrome
- PB: Vibrant® Polished Brass
- NA: None applicable
- Other: Refer to Price Book for additional colors/finishes

Specified Model

Model	Description	Colors/Finishes	
K-1510-X	Bath	<input type="checkbox"/> 0	<input type="checkbox"/> Other_____
Recommended Accessories			
K-7161-AF	Pop-up drain	<input type="checkbox"/> CP	<input type="checkbox"/> PB <input type="checkbox"/> Other_____
Optional Accessories			
K-1177	Vinyl tiling-in bead (use when wall material contacts any top surface of bath)		<input type="checkbox"/> NA
K-1279	Apron (removable)	<input type="checkbox"/> 0	<input type="checkbox"/> Other_____
K-1491	Pillow	<input type="checkbox"/> 0	<input type="checkbox"/> Other_____
K-1601	Footstop	<input type="checkbox"/> 0	<input type="checkbox"/> Other_____

Product Specification

The acrylic bath shall be 60" (152.4 cm) in length, 30" (76.2 cm) in width, and 17" (43.2 cm) in height. The bath shall have an optional K-1279 front apron. The bath shall be Kohler Model K-1510-X-_____.

HOURGLASS™

Technical Information

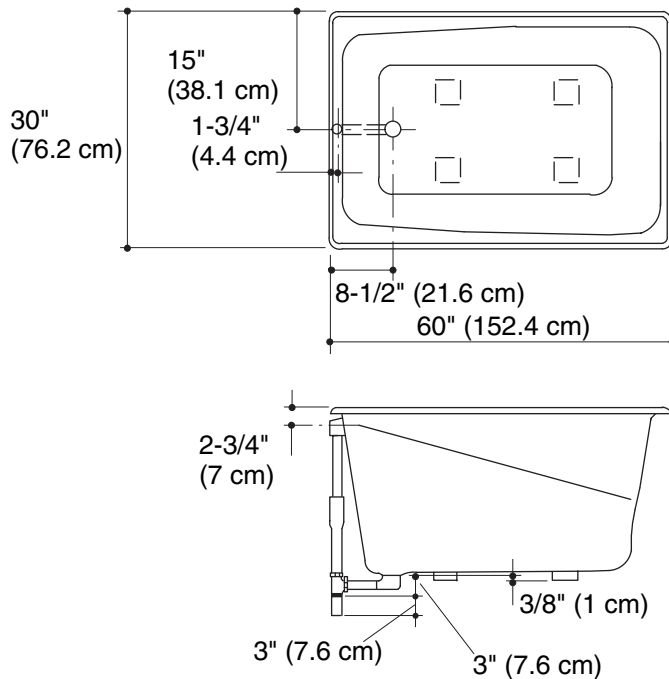
Fixture*:	
Basin area:	
Bathing well	42" (106.7 cm) x 17" (43.2 cm)
Top area	55" (139.7 cm) x 25" (63.5 cm)
To overflow:	
Water depth	12-1/8" (30.8 cm)
Capacity	50 gal (27.2 L)
Weight	60 lbs (27.2 kg)
Drop-in cutout	58-1/2" (148.6 cm) x 28-1/2" (72.4 cm)
* Approximate measurements for comparison only.	

Installation Notes

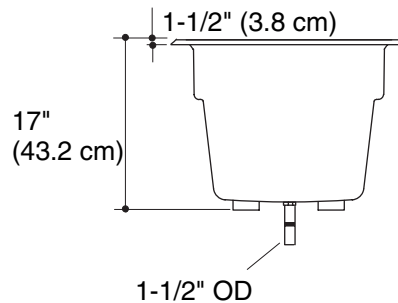
Install this product according to the installation guide.

The apron must be installed before the finished floor and wall materials are installed.

Floor support under bath must provide for a minimum of 47 lbs/square foot (229 kg/square meter) loading.



No change in measurements if connected with drain illustrated.



Product Diagram