

### Ordering Information

Applicable product:		
Left outlet, integral apron	K-1219-LA	shown
Right outlet, integral apron	K-1219-RA	not shown
Accessories/hardware:		
Drain	K-7161-AF	recommended

### Product Information

Fixture*:	basin area	top area	weight
Bathing well	47" x 20"	53" x 23"	80 lbs.
	water depth	capacity	
To overflow	14-1/2"	64 gal.	

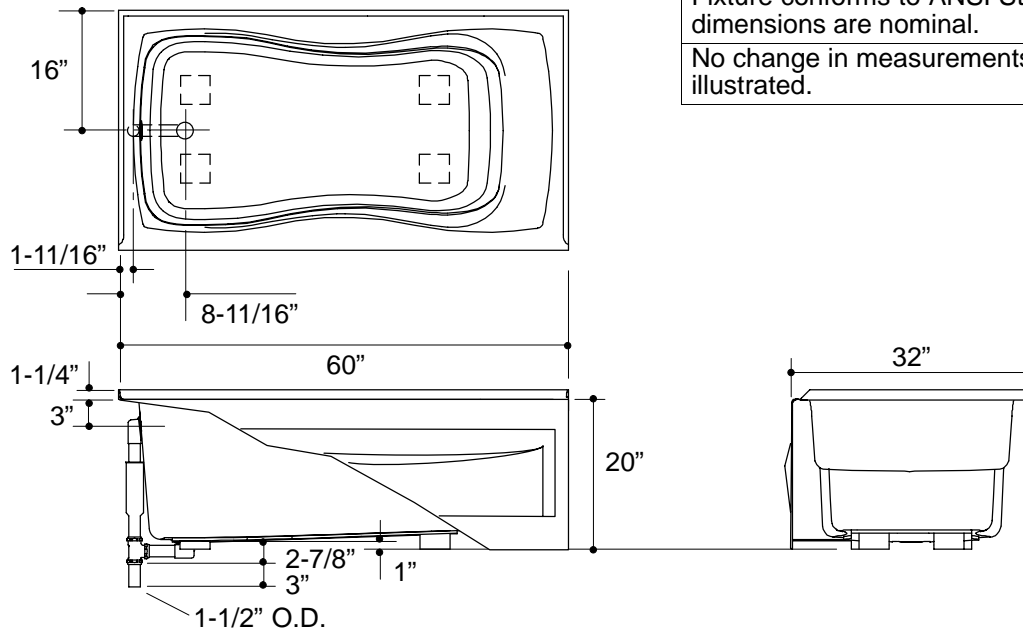
\* Approximate measurements for comparison only.

### Installation Notes

Refer to installation instructions included with fixture before beginning installation.

**NOTICE:** Unless otherwise specified, floor support under bath must provide for a minimum of 80 lbs./square foot loading.

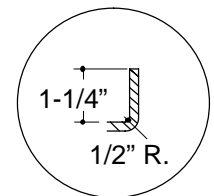
If installing a rim-mount faucet, make sure any plumbing does not interfere with drain overflow and circulating system before drilling any holes. Consult local and national codes for minimum air gap requirements if installing a spout on the faucet deck.



### Roughing-In Notes

Fixture conforms to ANSI Standard Z124.1. All dimensions are nominal.

No change in measurements if connected with drain illustrated.



**INTEGRAL  
FLANGE  
DETAIL**

1.25>132