

Ordering Information

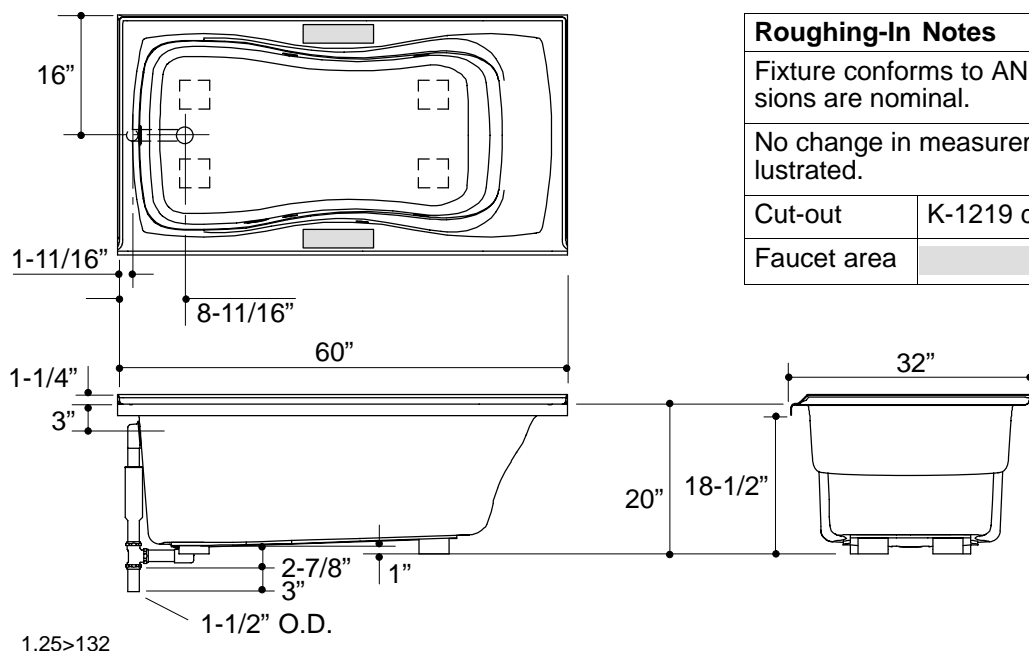
Applicable product:		
Left outlet, integral flange	K-1219-L	shown
Right outlet, integral flange	K-1219-R	not shown
Drop-in rim style	K-1219	not shown
Accessories/hardware:		
Drain	K-7161-AF	recommended
Apron	K-1278	optional

Product Information

Fixture*:	basin area	top area	weight
Bathing well	47" x 20"	53" x 23"	80 lbs.
	water depth	capacity	
To overflow	14-1/2"	64 gal.	
* Approximate measurements for comparison only.			

Installation Notes

Refer to installation instructions included with fixture before beginning installation.



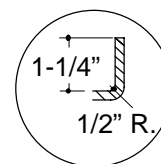
Roughing-In Notes

Fixture conforms to ANSI Standard Z124.1. All dimensions are nominal.

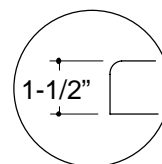
No change in measurements if connected with drain illustrated.

Cut-out K-1219 drop-in rim style, 58" x 30"

Faucet area recommended



**INTEGRAL
FLANGE
DETAIL**



**DROP-IN
RIM
DETAIL**