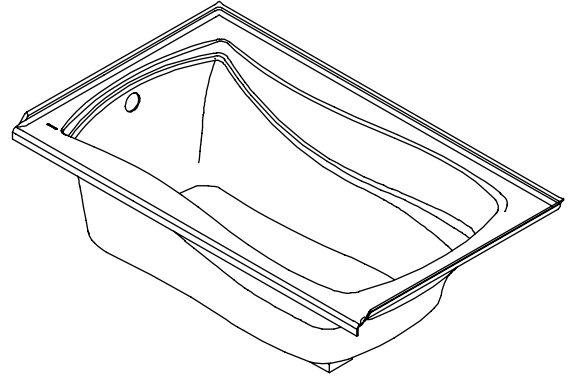


Features

- Acrylic
- Drop-in or three-wall alcove
- Left or right drain
- Optional K-1491 removable bath pillow
- Optional K-1278 removable apron
- Textured bottom surface
- 60" (152.4 cm) x 36" (91.4 cm) x 20" (50.8 cm)



Codes/Standards Applicable

Specified model meets or exceeds the following:

- ANSI Z124.1.2
- IAPMO/UPC
- CSA International
- State of Massachusetts

Colors/Finishes

- 0: White
- Other: Refer to Price Book for additional colors/finishes

Accessories

- CP: Polished Chrome
- PB: Vibrant® Polished Brass
- Other: Refer to Price Book for additional colors/finishes

Specified Model

Model	Description	Colors/Finishes	
K-1242	Bath – drop-in rim style	<input type="checkbox"/> 0	<input type="checkbox"/> Other_____
K-1242-L	Bath with left drain – three-wall alcove	<input type="checkbox"/> 0	<input type="checkbox"/> Other_____
K-1242-R	Bath with right drain – three-wall alcove	<input type="checkbox"/> 0	<input type="checkbox"/> Other_____
Recommended Accessories			
K-7161-AF	Drain	<input type="checkbox"/> CP	<input type="checkbox"/> PB <input type="checkbox"/> Other_____
Optional Accessories			
K-1278	Removable apron	<input type="checkbox"/> 0	<input type="checkbox"/> Other_____
K-1491	Removable pillow	<input type="checkbox"/> 0	<input type="checkbox"/> Other_____

Product Specification

The acrylic bath shall be 60" (152.4 cm) in length, 36" (91.4 cm) in width, and 20" (50.8 cm) in height. Bath shall be for drop-in [K-1242] or three-wall alcove installation [K-1242-L, K01242-R]. Product shall have left or right drain outlet. Product shall feature a textured bottom surface. Product shall be available with an optional K-1278 removable apron and optional K-1491 removable pillow. Bath shall be Kohler Model K-1242-____ or K-1242-____-____.

MARIPOSA®

Technical Information

Fixture*:	
Basin area:	
Basin area, top	46" (116.8 cm) x 24" (61 cm)
Basin area, bottom	54" (137.2 cm) x 27" (68.6 cm)
Weight	62 lbs (28.1 kg)
To overflow:	
Water depth	14" (35.6 cm)
Capacity	63 gal (238.5 L)
* Approximate measurements for comparison only.	
Drop-in cutout:	58" (147.3 cm) x 34" (86.4 cm)

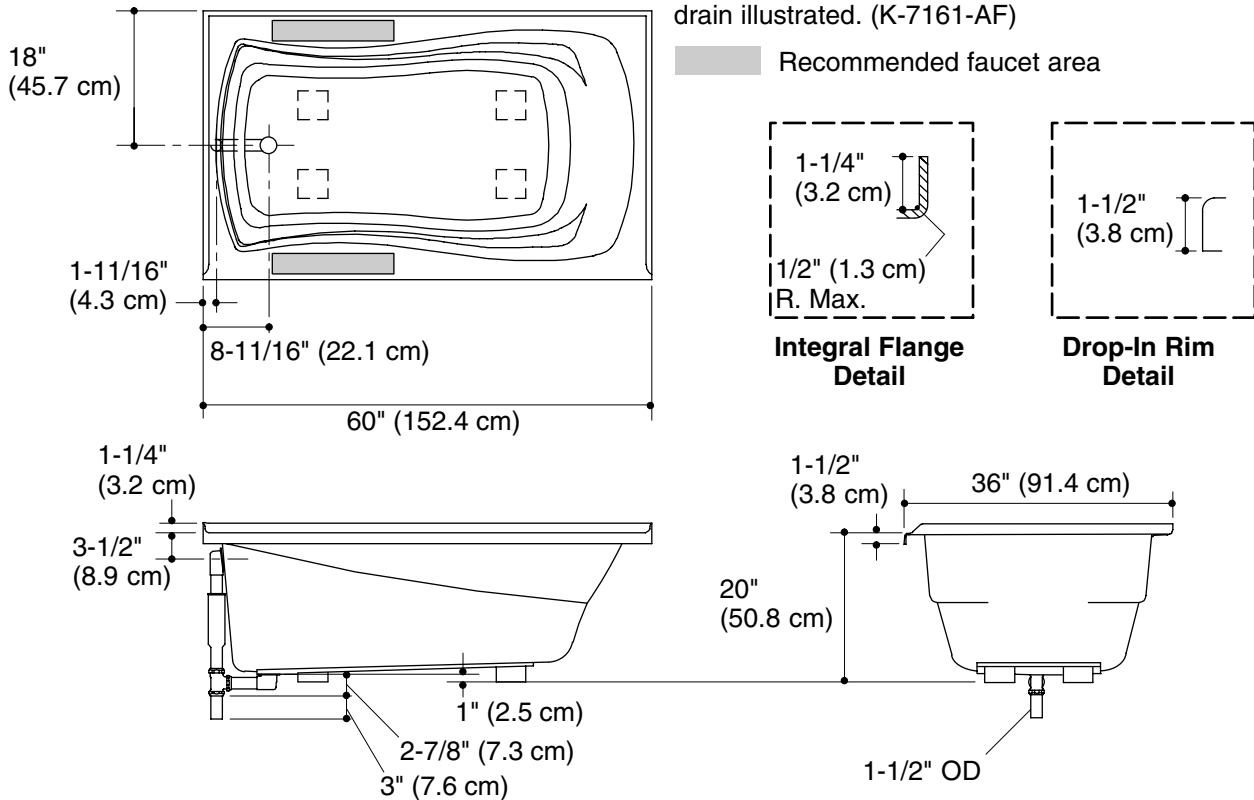
Installation Notes

Install this product according to the installation guide.

Floor support under bath must provide for minimum of 41 lbs/square foot (200 kg/square meter) loading.

If installing a rim-mount faucet, make sure there is no interference with the drain overflow before drilling any holes. Consult local and national codes for minimum air gap requirements if installing a spout on the faucet deck.

The apron must be installed before the finished floor and wall materials are installed.



Product Diagram