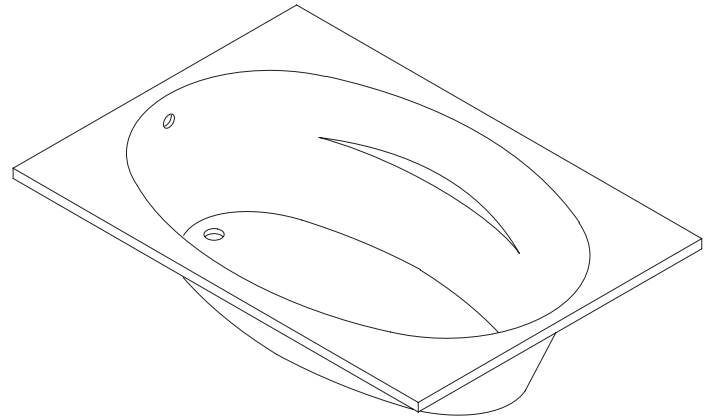


FEATURES

- 60" (152.4cm) x 36" (91.4cm) x 18-1/8" (46cm)
- Acrylic
- Drop-in or 3-wall alcove
- Molded lumbar supports and armrests
- Optional K-1284 separate apron
- Optional K-1491 removable pillow

K-1142, K-1142-L/-R



CODES/STANDARDS APPLICABLE

Specified model meets or exceeds the following:

- ANSI Z124.1
- IAPMO/UPC
- State of Massachusetts

COLORS/FINISHES

- 0 White
- Other Refer to Fixtures Price Book for additional colors

Accessories:

- CP Polished Chrome
- PB Polished Brass

SPECIFIED MODEL:

Model	Description	Colors/Finishes	
K-1142	Bath, drop-in (shown)	<input type="checkbox"/> 0 White	<input type="checkbox"/> Other _____
K-1142-L	Bath, left drain, tile flange	<input type="checkbox"/> 0 White	<input type="checkbox"/> Other _____
K-1142-R	Bath, right drain, tile flange	<input type="checkbox"/> 0 White	<input type="checkbox"/> Other _____

Recommended Accessories			
K-11677	Drain	<input type="checkbox"/> CP	<input type="checkbox"/> PB

Optional Accessories			
K-1284	Separate apron with removable panel for front access	<input type="checkbox"/> 0 White	<input type="checkbox"/> Other _____
K-1491	Pillow	<input type="checkbox"/> 0 White	<input type="checkbox"/> Other _____

PRODUCT SPECIFICATION:

The bath shall be 60" (152.4cm) in length, 36" (91.4cm) in width, and 18-1/8" (46cm) in height. Bath shall be made of acrylic, drop-in or three wall alcove installation. Bath shall have molded lumbar supports and armrests. Bath shall have optional K-1284 separate apron. Bath shall be Kohler Model K-1142-_____-_____.

PROFLEX™ 6036

PRODUCT INFORMATION

Fixture*:	basin area	top area	weight
Bathing well	46" (116.8cm) x 15" (38.1cm)	55" (139.7cm) x 25" (63.5cm)	43 lbs. (19.5kg)
	water depth	capacity	
To overflow	14" (35.6cm)	57 gal. (215.8L)	

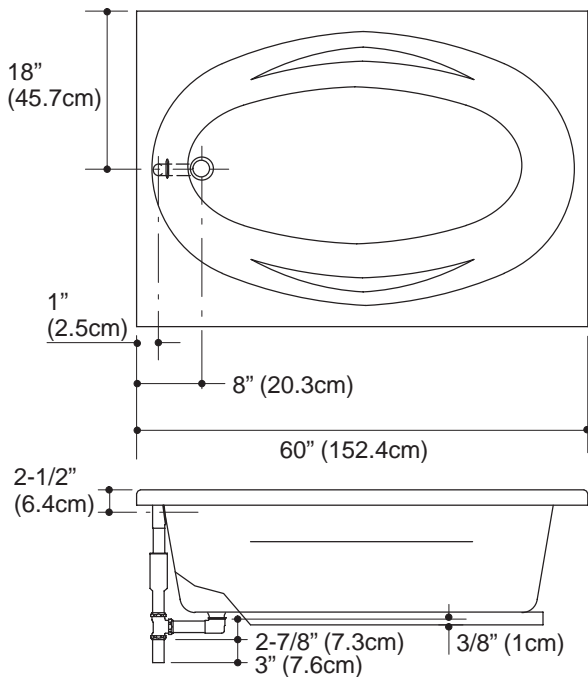
* Approximate measurements for comparison only.

INSTALLATION NOTES

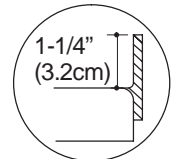
Install this product according to the installation guide.

Floor support under bath must provide for a minimum of 80 lbs./square foot (390 Kg./square meter) loading.

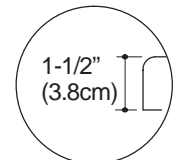
The apron must be installed before the finish floor and wall materials are installed.



No change in measurements if connected with drain illustrated. (K-11677 or K-11677M)	
Drop-in cut-out	58-1/2" (148.6cm) x 34-1/2" (87.6cm)



TILE FLANGE DETAIL



DROP-IN RIM DETAIL

PRODUCT DIAGRAM