

Ordering Information

Accessories/hardware:		
Drain	K-7161-AF	recommended
Apron	K-1278	optional

Product Information

Fixture*:	basin area	top area	weight
Bathing well	37" x 26"	54" x 37"	57 lbs.
	water depth	capacity	
To overflow	14-1/4"	69 gals.	

* Approximate measurements for comparison only.

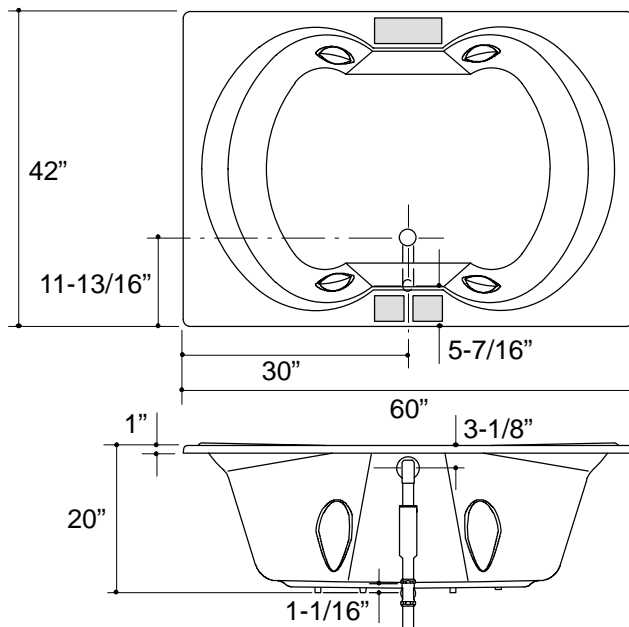
Installation Notes

Refer to installation instructions included with fixture before beginning installation.

If installing a rim-mount faucet, make sure there is no interference with drain overflow before drilling any holes. Consult local and national codes for minimum air gap requirements if installing a spout on the faucet deck.

The apron must be installed before the finish floor and wall materials are installed.

NOTICE: The Overture bath is designed for bathing only. It is not designed to be used in a three wall alcove with an overhead shower.

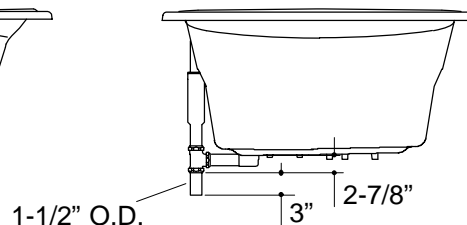


Roughing-In Notes

Fixture conforms to ANSI Standard Z124.1. All dimensions are nominal.

No change in measurements if connected with drain illustrated.

Cut-out	58-1/2" x 40-1/2"
Faucet area	recommended



1.25>132

K-1227 Overture Bath
111512-1-DA (-)

KOHLER®