

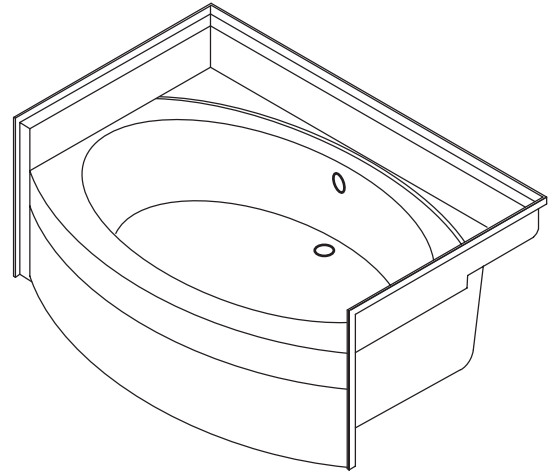
#### Features

- *Fiberglass (FRP)*
- *Integral flange*
- *Molded-in floor pattern*
- *Oval shape*
- *Stylish round apron front*

#### Codes/Standards Applicable

Specified model meets or exceeds the following:

- *ANSI Z124.1*
- *IAPMO/UPC*
- *CSA International*



#### Colors/Finishes

- 0: White
- Other: Refer to Price Book for additional colors/finishes

#### Accessories:

- CP: Polished Chrome
- PB: Polished Brass
- Other: Refer to Price Book for additional colors/finishes

#### Specified Model

Model	Description	Colors/Finishes		
K-1670	Oval bath with round apron front and integral flange	<input type="checkbox"/> 0	<input type="checkbox"/> Other_____	
Recommended Accessory				
K-7161-AF	Drain	<input type="checkbox"/> CP	<input type="checkbox"/> PB	<input type="checkbox"/> Other_____

#### Product Specification:

The oval shape bath shall be 59-3/4" (151.8 cm) in length, 42-1/2" (108 cm) in width, and 17-1/2" (44.5 cm) in height. Bath shall be made of fiberglass (FRP). Bath shall have stylish round apron front and integral flange. Bath shall have molded-in floor pattern. Bath shall be Kohler Model K-1670-\_\_\_\_\_.

# LAKWOOD™

## Technical Information

Fixture:*	basin area	top area	weight
Bathing well	43" (109.2 cm) x 28" (71.1 cm)	52" (132.1 cm) x 32" (81.3 cm)	91 lbs. (41.3 kg)
	water depth	capacity	
To overflow	13" (33 cm)	55 gal. (208.2 L)	

\* Approximate measurements for comparison only.

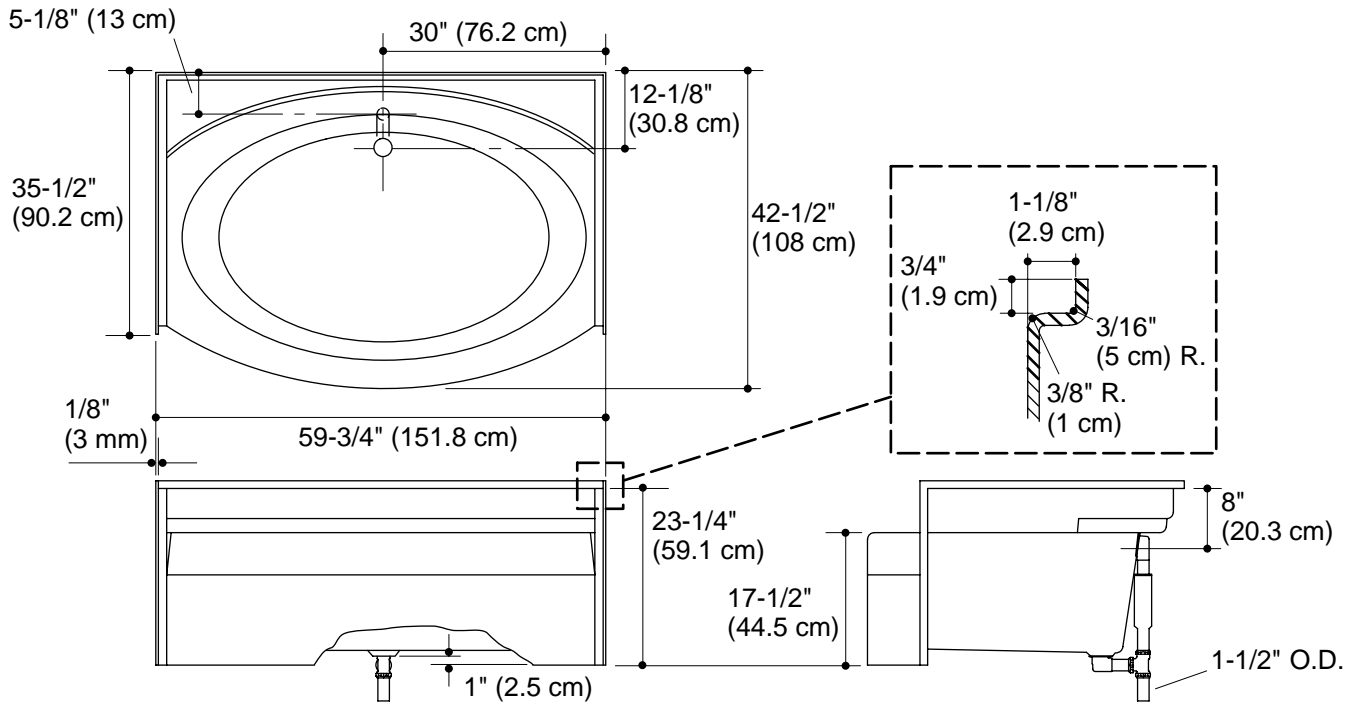
No change in measurements if connected with drain illustrated. (K-7161-AF or K-7161M-AF)

## Installation Notes

Install this product according to the installation guide.

If installing a rim-mount faucet, make sure there is no interference with the drain overflow before drilling any holes. Consult local and national codes for minimum air gap requirements if installing a spout on the faucet deck.

**NOTICE:** Unless otherwise specified, floor support under bath must provide for a minimum of 80 lbs./square foot (390 Kg) loading.



## Product Diagram