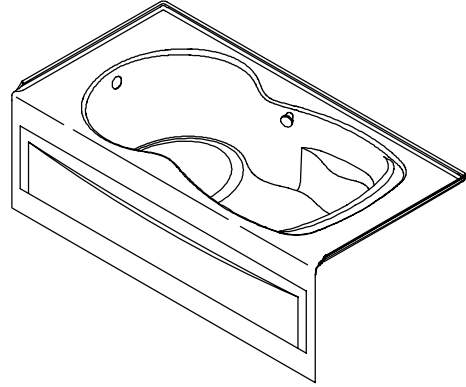


5' BATH WITH INTEGRAL APRON

K-1193, K-1197

FEATURES

- 60" x 42" x 20"
- Acrylic
- With (K-1197) or without (K-1193) Softgrip grip handles
- Integral apron
- Integral tile flange
- Left or right outlet



CODES/STANDARDS APPLICABLE

Specified model meets or exceeds the following:

- ANSI Z124.1
- IAPMO/UPC
- CSA International B45

COLORS/FINISHES

- 0 White
- Other Refer to Fixtures Price Book for additional colors

Accessories:

- CP Polished Chrome
- PB Polished Brass
- Other Refer to Faucets Price Book for additional finishes

SPECIFIED MODEL:

Model	Description	Colors/Finishes	
K-1193-LA	Bath, left outlet, without Softgrip grip handles	<input type="checkbox"/> 0 White	<input type="checkbox"/> Other_____
K-1193-RA	Bath, right outlet, without Softgrip grip handles	<input type="checkbox"/> 0 White	<input type="checkbox"/> Other_____
K-1197-LA	Bath, left outlet, with Softgrip grip handles	<input type="checkbox"/> 0 White	<input type="checkbox"/> Other_____
K-1197-RA	Bath, right outlet, with Softgrip grip handles	<input type="checkbox"/> 0 White	<input type="checkbox"/> Other_____

Recommended Accessories

K-7161-AF	Drain	<input type="checkbox"/> CP	<input type="checkbox"/> PB	<input type="checkbox"/> Other_____
-----------	-------	-----------------------------	-----------------------------	-------------------------------------

PRODUCT SPECIFICATION:

The bath shall be 60" in length, 42" in width, and 20" in height. Bath shall be made of acrylic. Bath shall be with (K-1197) or without (K-1193) Softgrip grip handles. Bath shall have integral apron. Bath shall have integral tile flange. Bath shall have left or right outlet. Bath shall be Kohler Model K-_____-_____-_____.

SYNCHRONY™

PRODUCT INFORMATION

Fixture*:	basin area	top area	weight
Bathing well	42" x 25"	52" x 34"	75 lbs.
	water depth	capacity	
To overflow	14"	63 gal.	
* Approximate measurements for comparison only.			

INSTALLATION NOTES

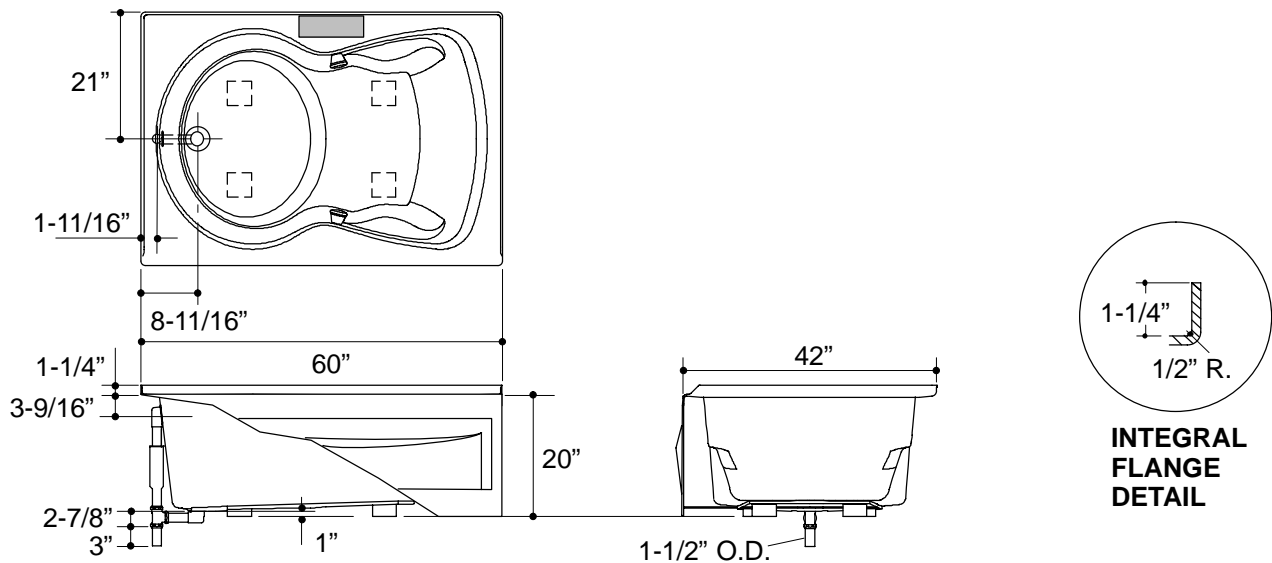
NOTICE: Unless otherwise specified, floor support under bath must provide for a minimum of 80 lbs./square foot loading.

If installing a rim-mount faucet, make sure there is no interference with drain overflow before drilling any holes. Consult local and national codes for minimum air gap requirements if installing a spout on the faucet deck.

Roughing-In Notes

No change in measurements if connected with drain illustrated.

Faucet area		recommended
-------------	--	-------------



1.25>132

PRODUCT DIAGRAM