

Product Information

Applicable product:	
Bath, drop-in	K-1159
Bath, left drain, tile flange	K-1159-L
Bath, right drain, tile flange	K-1159-R
Recommended accessories:	
Cable drain with PVC tubing OR	K-7213
Cable drain without PVC tubing OR	K-7214
Trip lever drain	K-11677
Fixture*:	
Basin area:	
Bathing well	55" (139.7 cm) x 21" (53.3 cm)
Top area	65" (165.1 cm) x 26" (66 cm)
To overflow:	
Water depth	15" (38.1 cm)
Capacity	72 gal (272.5 L)
Weight	52 lbs (23.6 kg)
Drop-in cut-out	70-1/2" (179.1 cm) x 34-1/2" (87.6 cm)
* Approximate measurements for comparison only.	

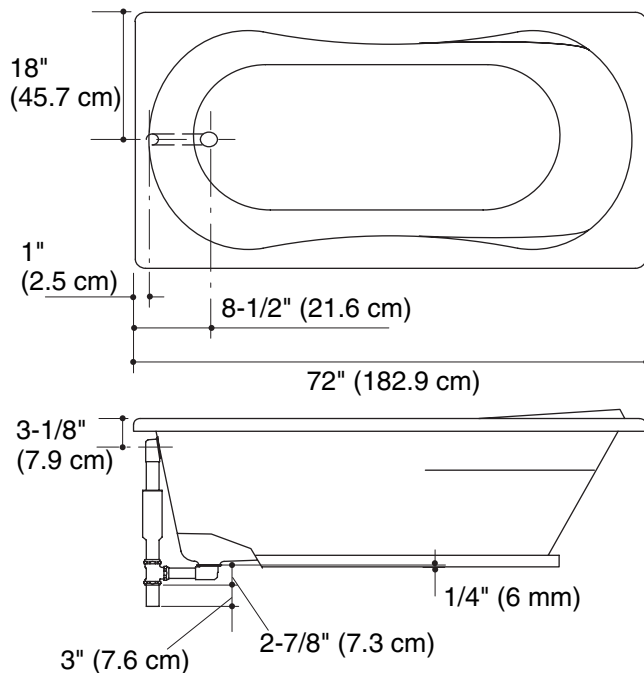
Installation Notes

Install this product according to the installation guide.

Floor support under bath must provide for a minimum of 38 lbs/square foot (184 kg/square meter) loading.

The apron must be installed before the finished floor and wall materials are installed.

Fixture conforms to ANSI Standard Z124.1.2. All dimensions are nominal.



No change in measurements if connected with drain illustrated. (K-11677 or K-11677M)

