

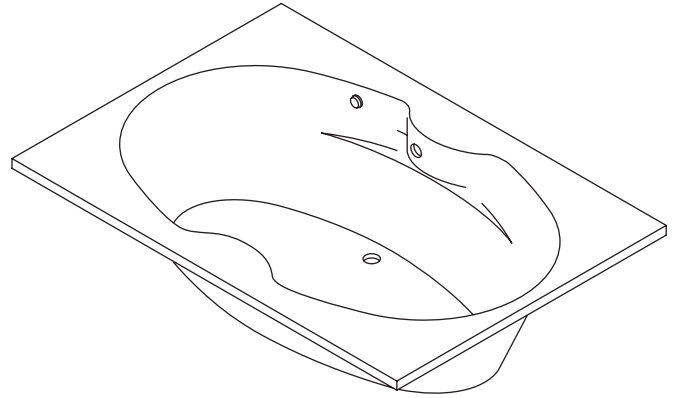
Features

- Acrylic
- Drop-in or three-wall alcove
- Molded lumbar supports and armrests
- Optional K-1283 removable apron
- Optional K-1491 removable bath pillow
- 72" (182.9 cm) x 42" (106.7 cm) x 20-1/8" (51.1 cm)

Codes/Standards Applicable

Specified model meets or exceeds the following:

- ANSI Z124.1.2
- IAPMO/UPC



Colors/Finishes

- 0: White
- Other: Refer to Price Book for additional colors/finishes

Accessories

- 0: White
- CP: Polished Chrome
- PB: Vibrant® Polished Brass
- Other: Refer to Price Book for additional colors/finishes

Specified Model

Model	Description	Colors/Finishes	
K-1132	Bath, drop-in (shown)	<input type="checkbox"/> 0	<input type="checkbox"/> Other _____
K-1132-F	Bath, tile flange	<input type="checkbox"/> 0	<input type="checkbox"/> Other _____

Recommended Accessories

K-11677	Trip lever drain	<input type="checkbox"/> CP	<input type="checkbox"/> PB
---------	------------------	-----------------------------	-----------------------------

Optional Accessories

K-1283	Separate apron with removable panel for front access	<input type="checkbox"/> 0	<input type="checkbox"/> Other _____
K-1491	Pillow	<input type="checkbox"/> 0	<input type="checkbox"/> Other _____

Product Specification

The bath shall be 72" (182.9 cm) in length, 42" (106.7 cm) in width, and 20-1/8" (51.1 cm) in height. Bath shall be made of acrylic, drop-in or three-wall alcove installation. Bath shall have molded lumbar supports and armrests. Bath shall have an optional K-1283 separate apron, and an optional K-1491 removable bath pillow. Bath shall be Kohler Model K-1132-_____-_____.

PROFLEX® 7242

Technical Information

Fixture*:	
Basin area:	
Bathing well	53" (134.6 cm) x 26" (66 cm)
Top area	65" (165.1 cm) x 34" (86.4 cm)
To overflow:	
Water depth	15" (38.1 cm)
Capacity	78 gal (295.3 L)
Weight	51 lbs (23.1 kg)
Drop-in cut-out	70-1/2" (179.1 cm) x 40-1/2" (102.9 cm)
* Approximate measurements for comparison only.	

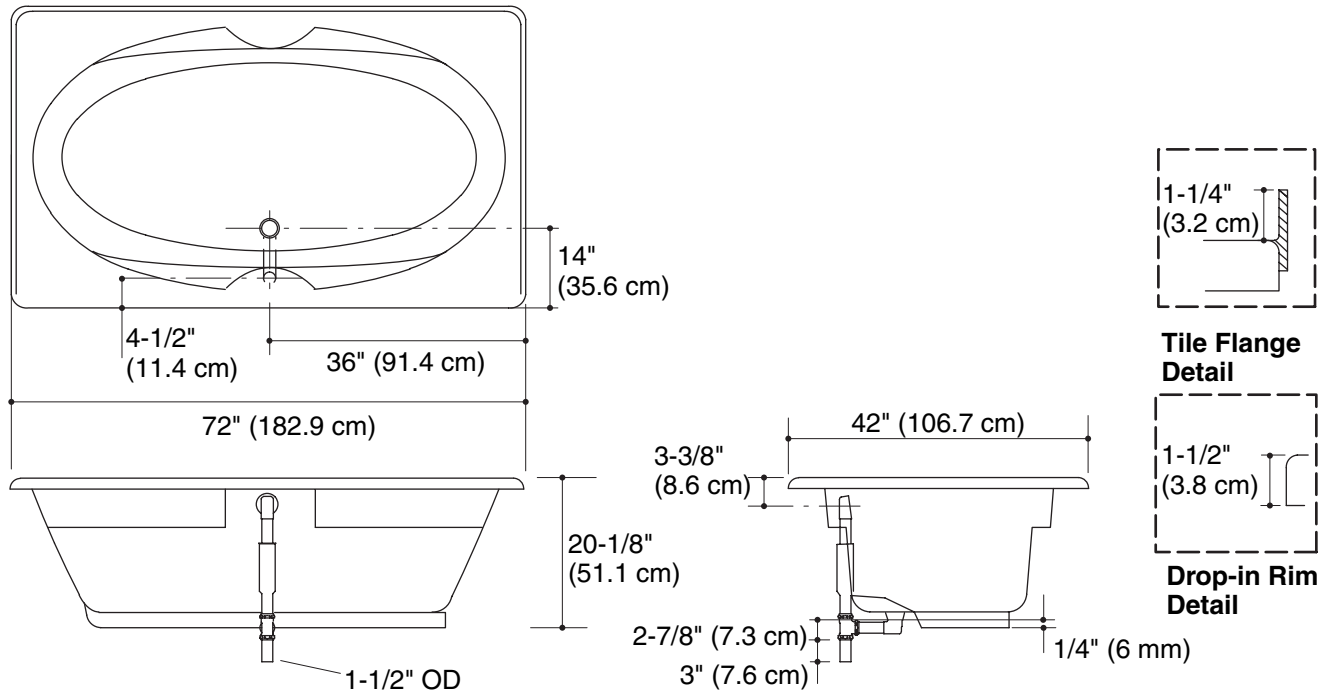
Installation Notes

Install this product according to the installation guide.

Floor support under bath must provide for a minimum of 35 lbs/square foot (169 kg/square meter) loading.

The apron must be installed before the finished floor and wall materials are installed.

No change in measurements if connected with drain illustrated. (K-11677 or K-11677M)



Product Diagram