

Ordering Information

Applicable product:		
Left outlet, integral flange	K-1259-L	shown
Right outlet, integral flange	K-1259-R	not shown
Drop-in rim style	K-1259	not shown
Accessories/hardware:		
Drain	K-7166-AF	recommended
Apron	K-1283	optional

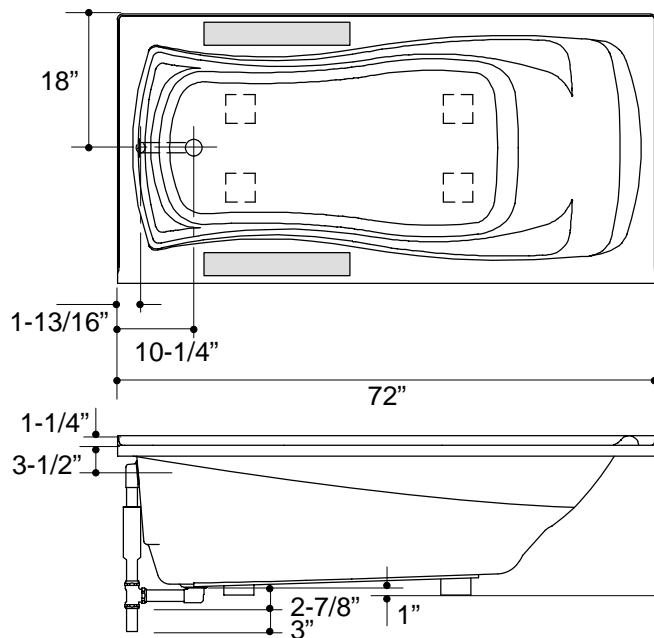
Product Information

Fixture*:	basin area	top area	weight
Bathing well	50" x 24"	65" x 27"	77 lbs.
	water depth	capacity	
To overflow	14"	72 gal.	
* Approximate measurements for comparison only.			

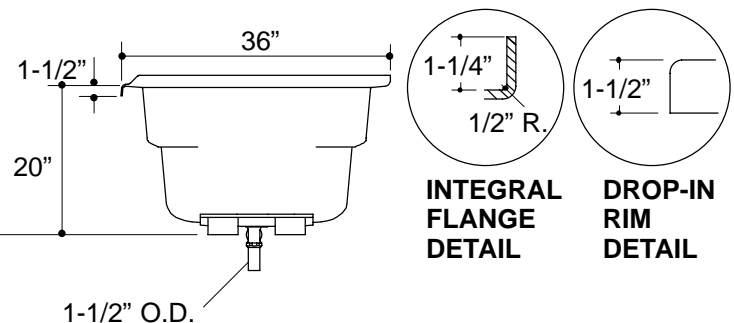
Installation Notes

Refer to installation instructions included with fixture before beginning installation.

The apron must be installed before the finish floor and wall materials are installed.



Roughing-In Notes	
Fixture conforms to ANSI Standard Z124.1. All dimensions are nominal.	
No change in measurements if connected with drain illustrated.	
Cut-out	K-1259 drop-in rim style, 70" x 34"
Faucet area	recommended



1.25>132