

Product Information

Applicable product:			
Integral apron, left drain	K-1115-LA	shown	
Integral apron, right drain	K-1115-RA	not shown	
Fixture*:	basin area	top area	weight
Bathing well	55-1/4" (140.3 cm) x 23-1/2" (59.7 cm)	64-1/2" (163.8 cm) x 32" (81.3 cm)	100 lbs (45 kg)
	water depth	capacity	
To overflow	15" (38.1 cm)	78.5 gal (297 L)	
* Approximate measurements for comparison only.			

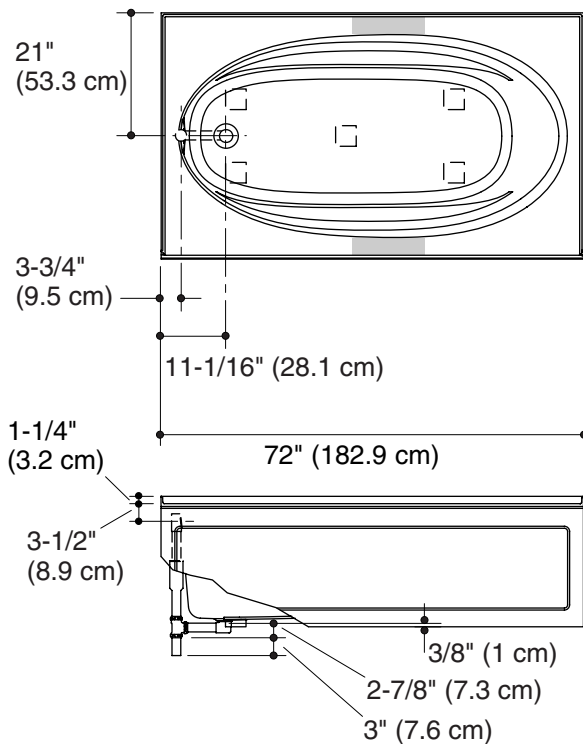
Installation Notes

Install this product according to the installation guide.

Floor support under the bath must provide for a minimum of 1300 lbs (590 kg) loading.

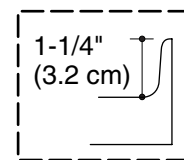
If installing a rim-mount faucet, make sure there is no interference with the drain overflow before drilling any holes. Consult local and national codes for minimum air gap requirements if installing a spout on the faucet deck.

Fixtures conforms to ANSI Standard Z124.1. All dimensions are nominal.



No change in measurements if connected with drain illustrated. (K-11677 or K-11677M)

Recommended faucet area



Tile Flange Detail

