

Features

- Acrylic
- Rectangular shape
- Molded lumbar supports and armrests
- Drop-in, 3-side integral flange

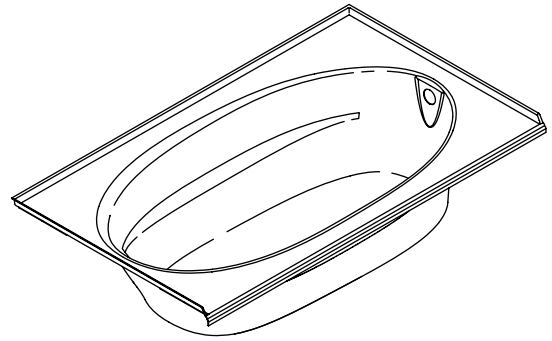
BATH WITH INTEGRAL FLANGE

K-1115-L
ALSO K-1115-R

Codes/Standards Applicable

Specified model meets or exceeds the following:

- ANSI Z124.1
- IAPMO/UPC



Colors/Finishes

- 0: White
- Other: Refer to Price Book for additional colors/finishes

Accessories:

- CP: Polished Chrome

Specified Model

Model	Description	Colors/Finishes	
K-1115-L	Drop-in, 3-side integral flange, left drain (not shown)	<input type="checkbox"/> 0	<input type="checkbox"/> Other _____
K-1115-R	Drop-in, 3-side integral flange, right drain (shown)	<input type="checkbox"/> 0	<input type="checkbox"/> Other _____
Recommended Accessory			
K-11677	Drain OR	<input type="checkbox"/> CP	<input type="checkbox"/> Other _____
K-7166	Drain	<input type="checkbox"/> CP	<input type="checkbox"/> Other _____

Product Specification:

The rectangular shaped drop-in bath shall be 72" (182.9 cm) in length, 42" (106.7 cm) in width, and 21" (53.3 cm) in height. Bath shall be made of acrylic. Bath shall have a 3-side integral flange. Bath shall have molded lumbar supports and armrests. Bath shall be Kohler Model K-1115-____-____.

WINDWARD™

Technical Information

Fixture*:	basin area	top area	weight
Bathing well	55" (139.7 cm) x 23-1/4" (59.1 cm)	64" (162.6 cm) x 32" (81.3 cm)	100 lbs (45 kg)
	water depth	capacity	
To overflow	15" (38.1 cm)	78.5 gal (297 L)	

* Approximate measurements for comparison only.

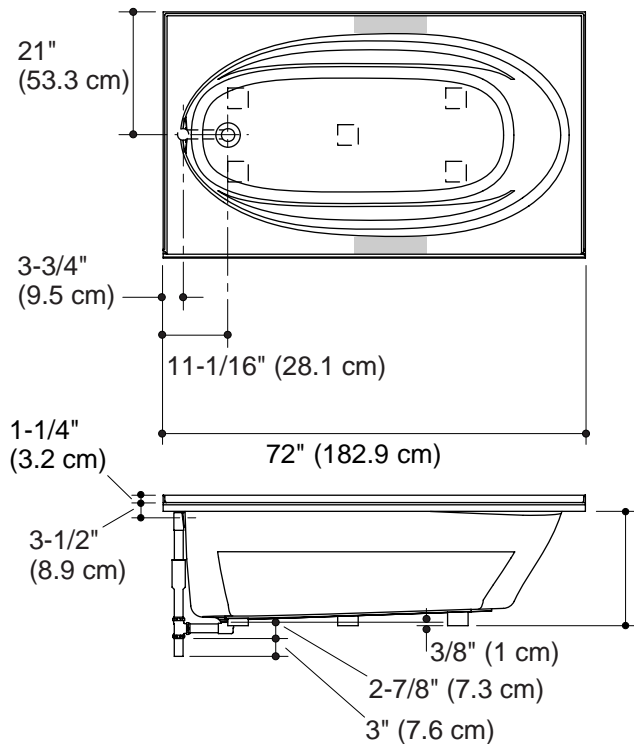
Drop-in cut-out dimensions:
70-1/2" (179.1 cm) x 40-1/2" (102.9 cm)

Installation Notes

Install this product according to the installation guide.

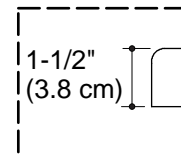
Floor support under the bath must provide for a minimum of 80 lbs/square foot (390 kg/square meter) loading.

If installing a rim-mount faucet, make sure there is no interference with the drain overflow before drilling any holes. Consult local and national codes for minimum air gap requirements if installing a spout on the faucet deck.

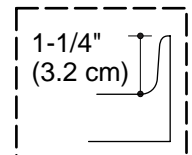


No change in measurements if connected with drain illustrated. (K-11677 or K-11677M)

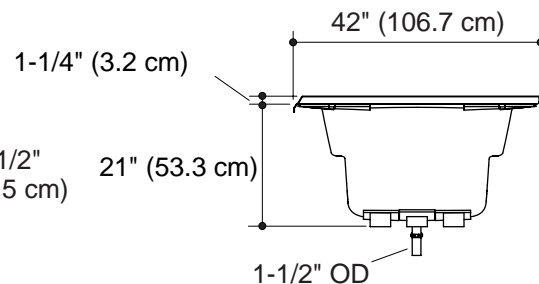
■ Recommended faucet area



Drop-In Rim Detail



Tile Flange Detail



Product Diagram