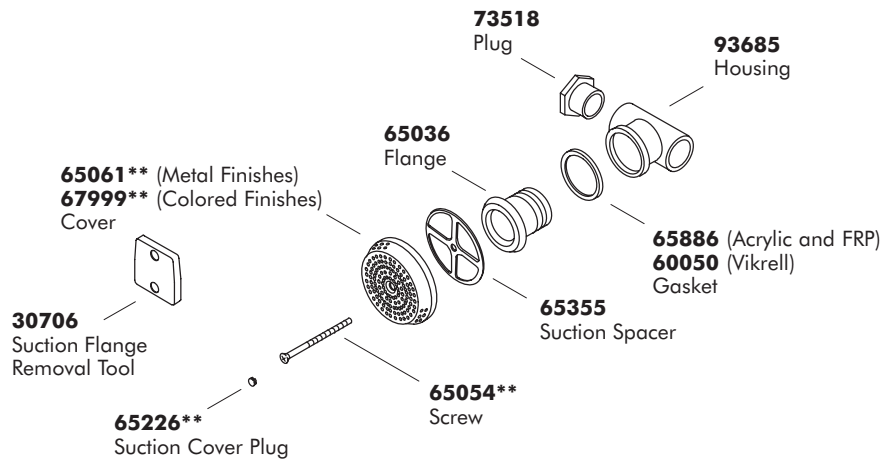
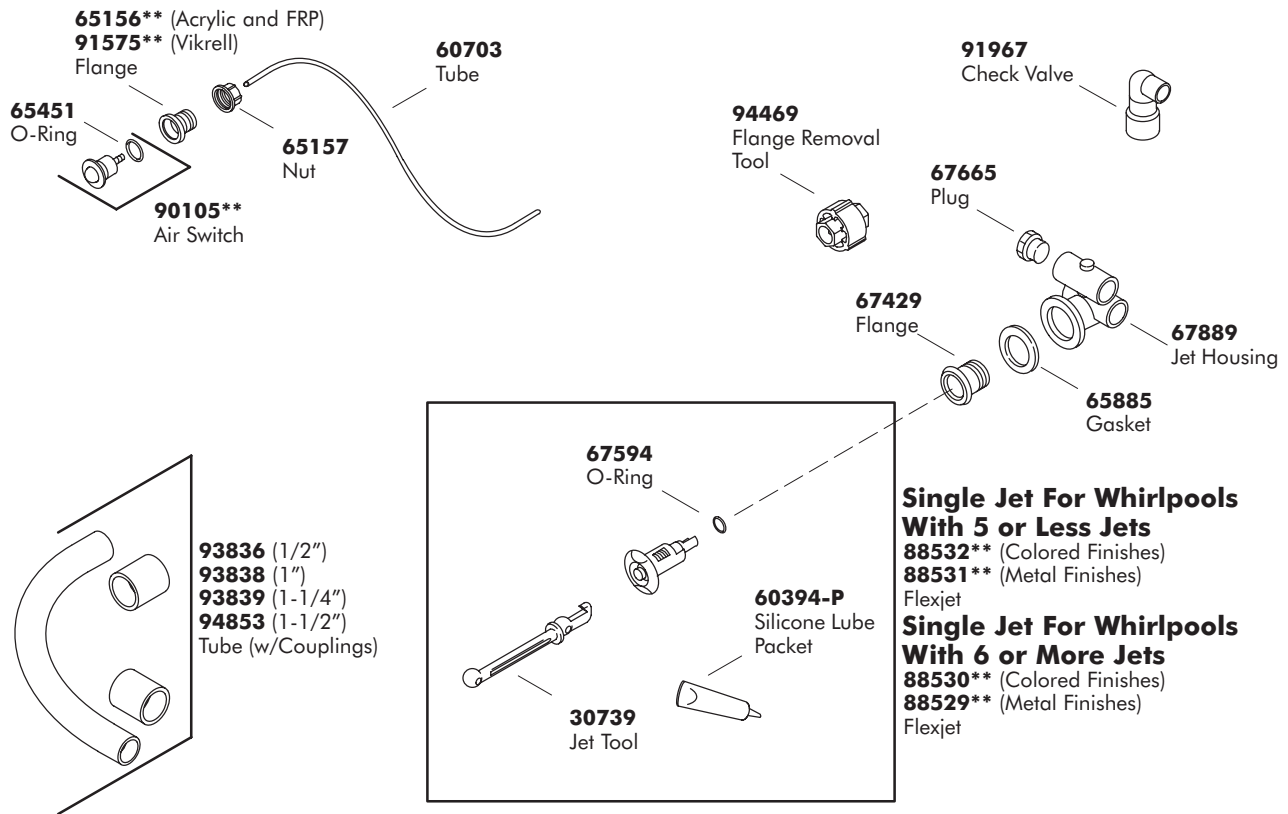


SERVICE PARTS

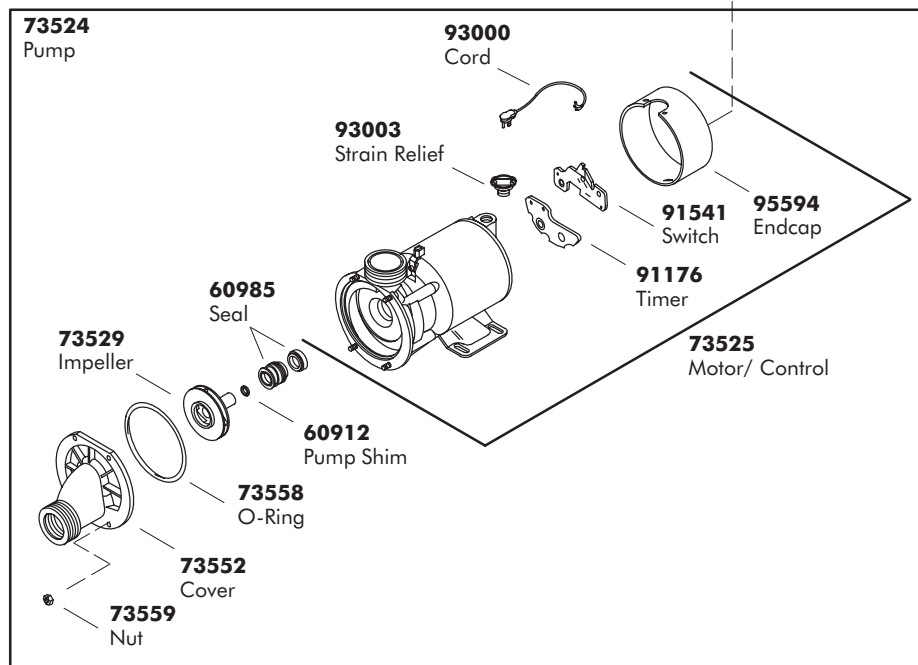
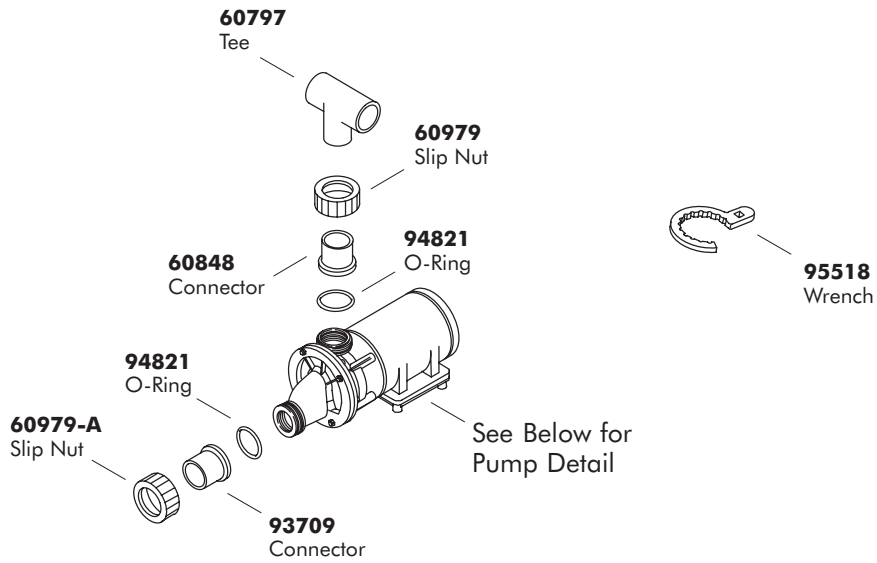
G U I D E

SYSTEM I BATH
WHIRLPOOL

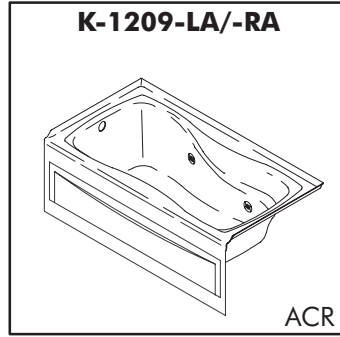
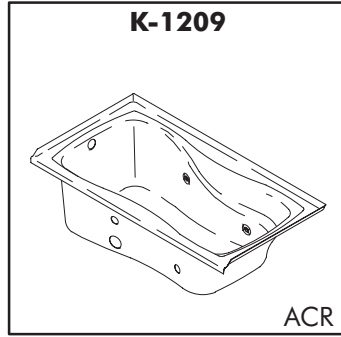
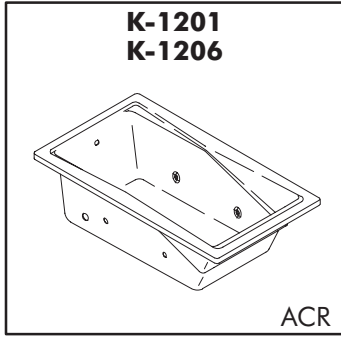
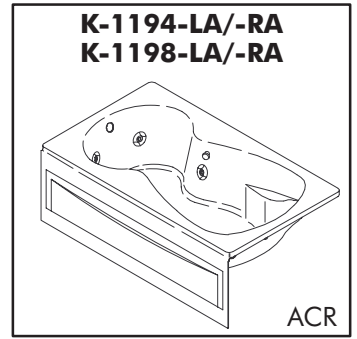
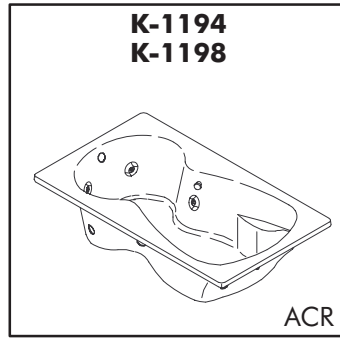
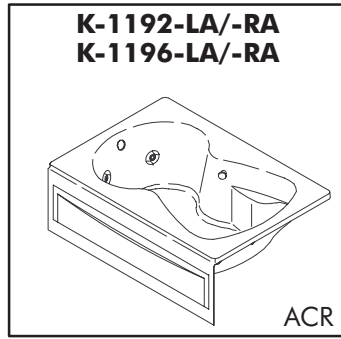
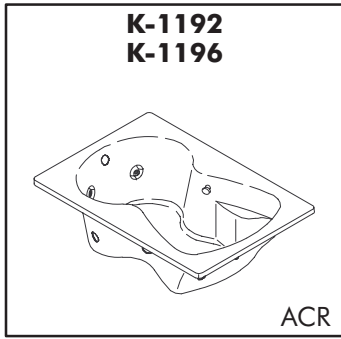
THE BOLD LOOK
OF **KOHLER**®



****Finish/color code must be specified when ordering.**



****Finish/color code must be specified when ordering.**

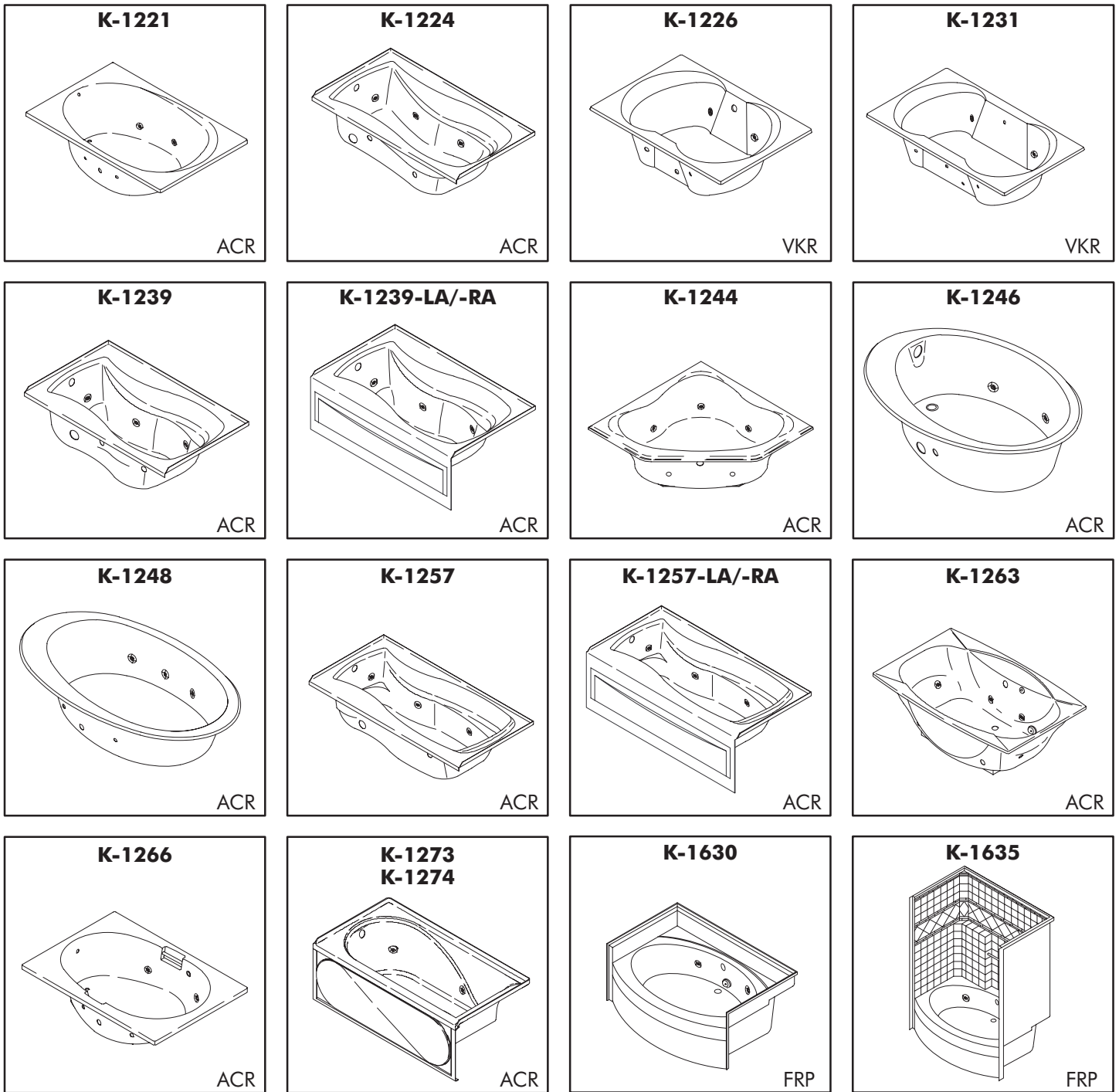


ACR=ACRYLIC

FRP=FRP/FIBERGLASS

VKR=VIKRELL

Note: This document contains service parts for other modified bathing systems which may not be listed in this literature.



ACR=ACRYLIC

FRP=FRP/FIBERGLASS

VKR=VIKRELL

Note: This document contains service parts for other modified bathing systems which may not be listed in this literature.

CALL US FOR HELP

Questions? Problems? For additional assistance, call our Customer Service Department for direct help. You may also contact us at our web site listed below.

In the U.S.A., call 1-800-4-KOHLER

In Mexico, call 001-877-680-1310

In Canada, call 1-800-964-5590

THE BOLD LOOK
OF **KOHLER**

www.kohlerco.com