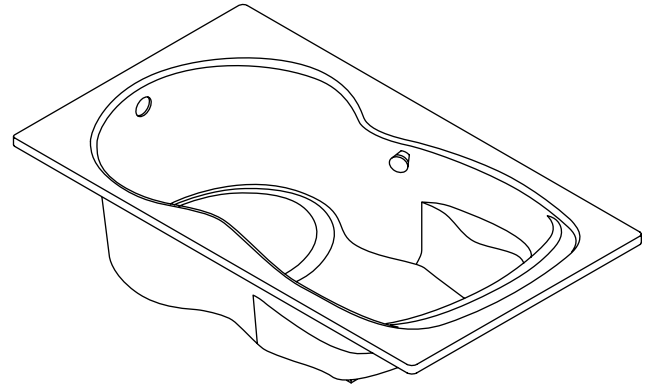


6' BATH

K-1195, K-1195-L/-R
ALSO K-1199, K-1199-L/-R

Features

- Acrylic
- Drop-in or three-wall alcove
- Optional K-1491 removable bath pillow
- Optional K-1283 separate apron
- With (K-1199, -L/-R) or without (K-1195, -L/-R) Softgrip grip handles
- 72" (182.9 cm) x 42" (106.7 cm) x 20" (50.8 cm)



Codes/Standards Applicable

Specified model meets or exceeds the following:

- ANSI Z124.1.2
- IAPMO/UPC

Colors/Finishes

- 0: White
- Other: Refer to Price Book for additional colors/finishes

Accessories:

- 0: White
- CP: Polished Chrome
- PB: Polished Brass
- Other: Refer to Price Book for additional colors/finishes

Specified Model

Model	Description	Colors/Finishes	
K-1195	Bath less Softgrip grip handles, drop-in	<input type="checkbox"/> 0	<input type="checkbox"/> Other_____
K-1195-L	Bath less Softgrip grip handles, left drain, integral flange	<input type="checkbox"/> 0	<input type="checkbox"/> Other_____
K-1195-R	Bath less Softgrip grip handles, right drain, integral flange	<input type="checkbox"/> 0	<input type="checkbox"/> Other_____
K-1199	Bath with Softgrip grip handles, drop-in (shown)	<input type="checkbox"/> 0	<input type="checkbox"/> Other_____
K-1199-L	Bath with Softgrip grip handles, left drain, integral flange	<input type="checkbox"/> 0	<input type="checkbox"/> Other_____
K-1199-R	Bath with Softgrip grip handles, right drain, integral flange	<input type="checkbox"/> 0	<input type="checkbox"/> Other_____

Recommended Accessories			
K-7161-AF	Drain	<input type="checkbox"/> CP	<input type="checkbox"/> PB <input type="checkbox"/> Other_____

Optional Accessories table is on page 2.

Product Specification

The acrylic bath shall be 72" (182.9 cm) in length, 42" (106.7 cm) in width, and 20" (50.8 cm) in height. The bath shall be drop-in or 3-wall alcove installation. The bath shall be with (K-1199, -L/-R) or without (K-1195, -L/-R) Softgrip grip handles. The bath shall have an optional K-1283 separate apron, and an optional K-1491 removable bath pillow. The bath shall be Kohler Model K-_____-_____.

SYNCHRONY®

Optional Accessories

K-1283	Separate apron with removable panel for front access	<input type="checkbox"/> 0	<input type="checkbox"/> Other_____
K-1491	Pillow	<input type="checkbox"/> 0	<input type="checkbox"/> Other_____

Technical Information

Fixture*:	
Basin area:	
Bathing well	49" (124.5 cm) x 25" (63.5 cm)
Top area	61" (154.9 cm) x 34" (86.4 cm)
To overflow:	
Water depth	14" (35.6 cm)
Capacity	72 gal (272.5 L)
Weight	80 lbs (36.3 kg)
Drop-in cut-out	70" (177.8 cm) x 40" (101.6 cm)
* Approximate measurements for comparison only.	

Installation Notes


Install this product according to the installation guide.

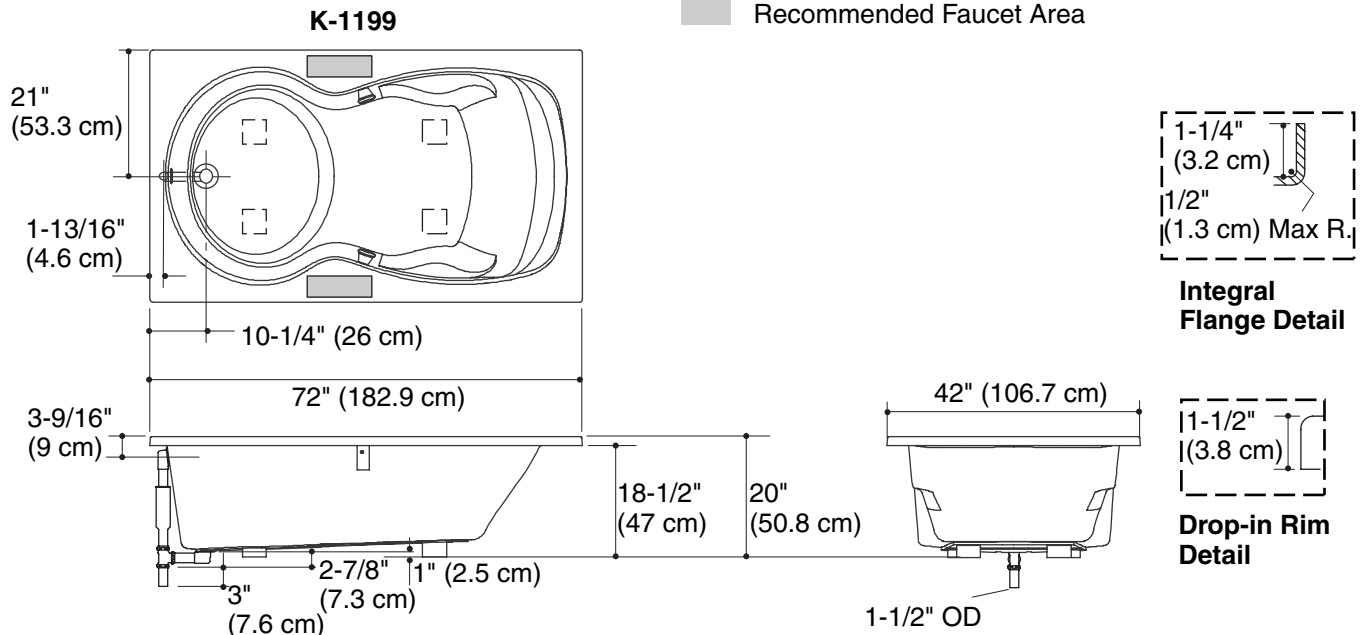
Floor support under bath must provide for a minimum of 34 lbs/square foot (164 kg/square meter) loading.

If installing a rim-mount faucet, make sure there is no interference with the drain overflow before drilling any holes. Consult local and national codes for minimum air gap requirements if installing a spout on the faucet deck.

The apron must be installed before the finished floor and wall materials are installed.

No change in measurements if connected with drain illustrated. (K-7161-AF or K-7161M-AF)

 Recommended Faucet Area



Product Diagram