

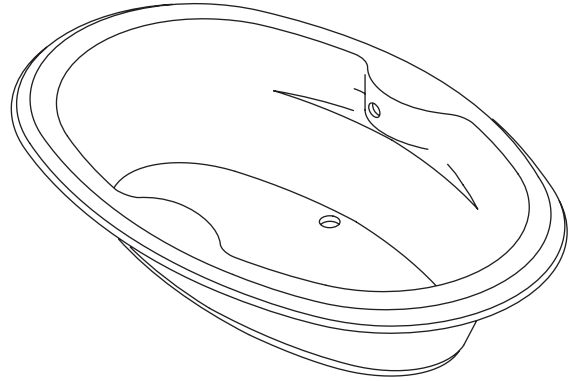
Features

- Acrylic
- Oval shape
- Molded lumbar supports and armrests
- 72" (182.9 cm) x 42-1/8" (107 cm) x 19-3/4" (50.2 cm)

Codes/Standards Applicable

Specified model meets or exceeds the following:

- ANSI Z124.1.2
- IAPMO/UPC



Colors/Finishes

- 0: White
- Other: Refer to Price Book for additional colors/finishes

Accessories:

- CP: Polished Chrome
- PB: Polished Brass

Specified Model

Model	Description	Colors/Finishes
K-1149	72" (182.9 cm) Proflex oval bath	<input type="checkbox"/> 0 <input type="checkbox"/> Other_____
Recommended Accessories		
K-11677	Drain	<input type="checkbox"/> CP <input type="checkbox"/> PB

Product Specification

The oval shaped bath shall be 72" (182.9 cm) in length, 42-1/8" (107 cm) in width, and 19-3/4" (50.2 cm) in height. The bath shall be made of acrylic, and shall have molded lumbar supports and armrests. The bath shall be Kohler Model K-1149-_____.

PROFLEX® 7242 OVAL

Technical Information

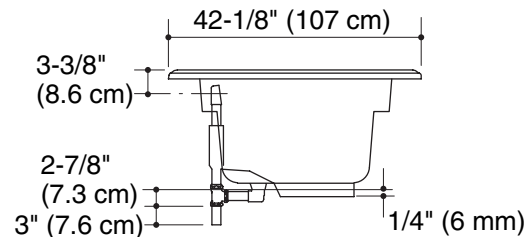
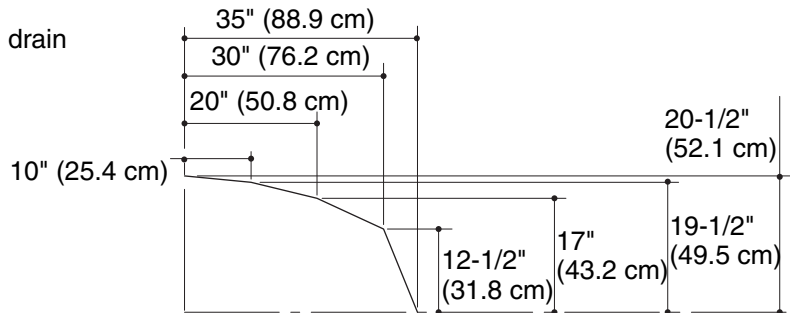
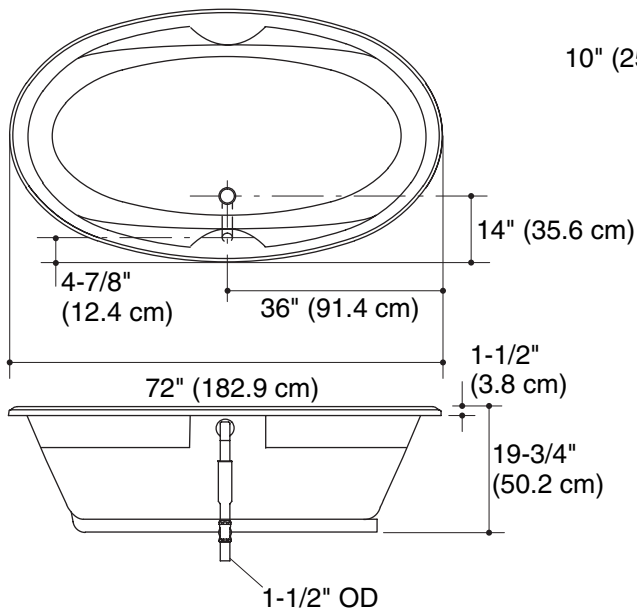
Fixture*:	
Basin area:	
Bathing well	53" (134.6 cm) x 26" (66 cm)
Top area	65" (165.1 cm) x 34" (86.4 cm)
To overflow:	
Water depth	15" (38.1 cm)
Capacity	78 gal (295.3 L)
Weight	60-1/2 lbs (27.4 kg)
* Approximate measurements for comparison only.	
Included components:	
Cutout template	114861-7

Installation Notes

Install this product according to the installation guide.

Floor support under bath must provide for a minimum of 35 lbs/square foot (171 kg/square meter) loading.

No change in measurements if connected with drain illustrated.



Product Diagram