

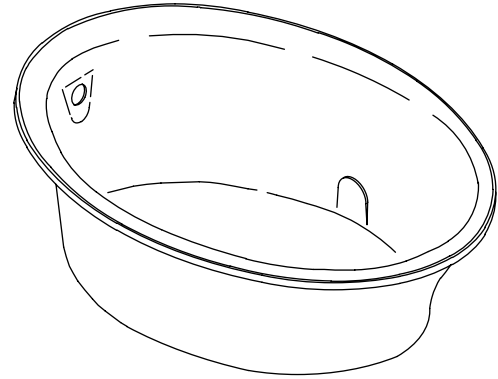
Features

- Acrylic
- 72" (182.9 cm) x 42" (106.7 cm) x 21" (53.3 cm)

Codes/Standards Applicable

Specified model meets or exceeds the following:

- ANSI Z124.1.2
- IAPMO/UPC
- CSA International



Colors/Finishes

- 0: White
- Other: Refer to Price Book for additional colors/finishes

Accessories

- CP: Polished Chrome
- PB: Vibrant® Polished Brass
- Other: Refer to Price Book for additional colors/finishes

Specified Model

Model	Description	Colors/Finishes	
K-1249	6' (182.9 cm) bath	<input type="checkbox"/> 0	<input type="checkbox"/> Other _____

Recommended Accessories			
K-7161-AF	Pop-up drain OR	<input type="checkbox"/> CP	<input type="checkbox"/> PB <input type="checkbox"/> Other _____
K-7213	Cable drain with PVC tubing OR	<input type="checkbox"/> CP	<input type="checkbox"/> Other _____
K-7214	Cable drain without PVC tubing	<input type="checkbox"/> CP	<input type="checkbox"/> Other _____

Product Specification

The oval bath shall be 72" (182.9 cm) in length, 42" (106.7 cm) in width, and 21" (53.3 cm) in height. Bath shall be made of acrylic. Bath shall be Kohler Model K-1249-_____.

SEASIDE™

Technical Information

Fixture*:	
Basin area:	
Bathing well	50" (127 cm) x 31" (78.7 cm)
Top area	61" (154.9 cm) x 34" (86.4 cm)
To overflow:	
Water depth	14-1/2" (36.8 cm)
Capacity	86 gal (325.5 L)
Weight	85 lbs (36.8 kg)
* Approximate measurements for comparison only.	
Included components:	
Cut-out template	113927-7

Installation Notes

Install this product according to the installation guide.

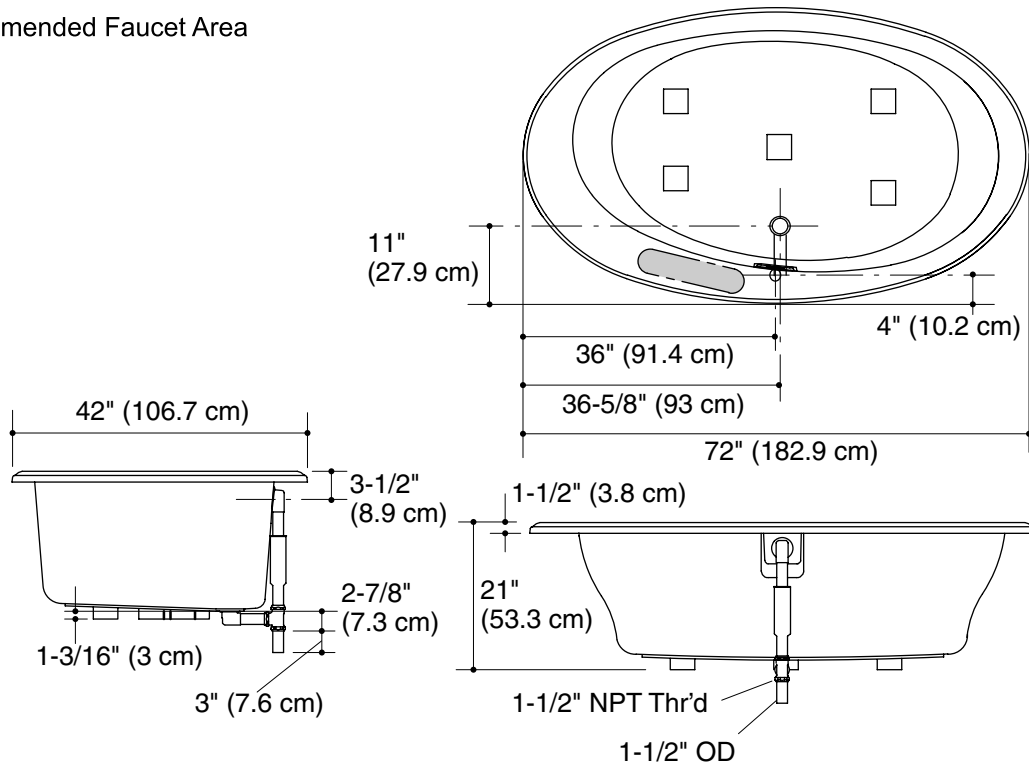
Refer to installation instructions included with fixture before beginning installation.

If installing a rim-mount faucet, make sure there is no interference with drain overflow and circulating system before drilling any holes. Consult local and national codes for minimum air gap requirements if installing a spout on the faucet deck.

Unless otherwise specified, floor support under bath must provide for a minimum of 80 lbs/square foot (390 kg/square meter) loading.

No change in measurements if connected with drain illustrated. (K-7161-AF)

■ Recommended Faucet Area



Product Diagram