

PROFLEX® 5454 CORNER

Features

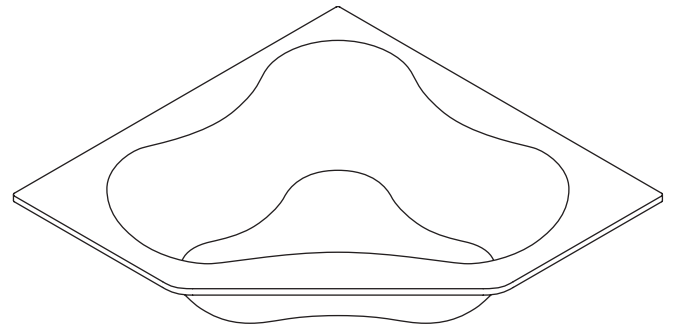
- Acrylic
- Drop-in or corner alcove
- Molded lumbar supports and armrests
- Optional K-1491 removable bath pillow
- 54" (137.2 cm) x 54" (137.2 cm) x 20-1/2" (52.1 cm)

ACRYLIC BATH
K-1155
 ALSO K-1155-F

Codes/Standards Applicable

Specified model meets or exceeds the following:

- ANSI Z124.1.2
- ICC/ANSI A117.1
- IAPMO/UPC



Colors/Finishes

- 0: White
- Other: Refer to Price Book for additional colors/finishes

Accessories

- 0: White
- CP: Polished Chrome
- PB: Vibrant® Polished Brass
- Other: Refer to Price Book for additional colors/finishes

Specified Model

Model	Description	Colors/Finishes	
K-1155	Bath, drop-in (shown)	<input type="checkbox"/> 0	<input type="checkbox"/> Other _____
K-1155-F	Bath, tile flange	<input type="checkbox"/> 0	<input type="checkbox"/> Other _____

Recommended Accessories

K-7213	Cable drain with PVC tubing	<input type="checkbox"/> CP	<input type="checkbox"/> PB
K-7214	Cable drain without PVC tubing	<input type="checkbox"/> CP	<input type="checkbox"/> PB
K-11677	Trip lever drain	<input type="checkbox"/> CP	<input type="checkbox"/> PB

Optional Accessories

K-1491	Pillow	<input type="checkbox"/> 0	<input type="checkbox"/> Other _____
K-1601	Footstop	<input type="checkbox"/> 0	<input type="checkbox"/> Other _____

Product Specification

The bath shall be 54" (137.2 cm) in length, 54" (137.2 cm) in width, and 20-1/2" (52.1 cm) in height. Bath shall be made of acrylic, drop-in or corner alcove installation. Bath shall have molded lumbar supports and armrests. Bath shall have an optional K-1491 removable pillow, and an optional K-1601 footstop. Bath shall be Kohler Model K-1155-_____-_____

PROFLEX® 5454 CORNER

Technical Information

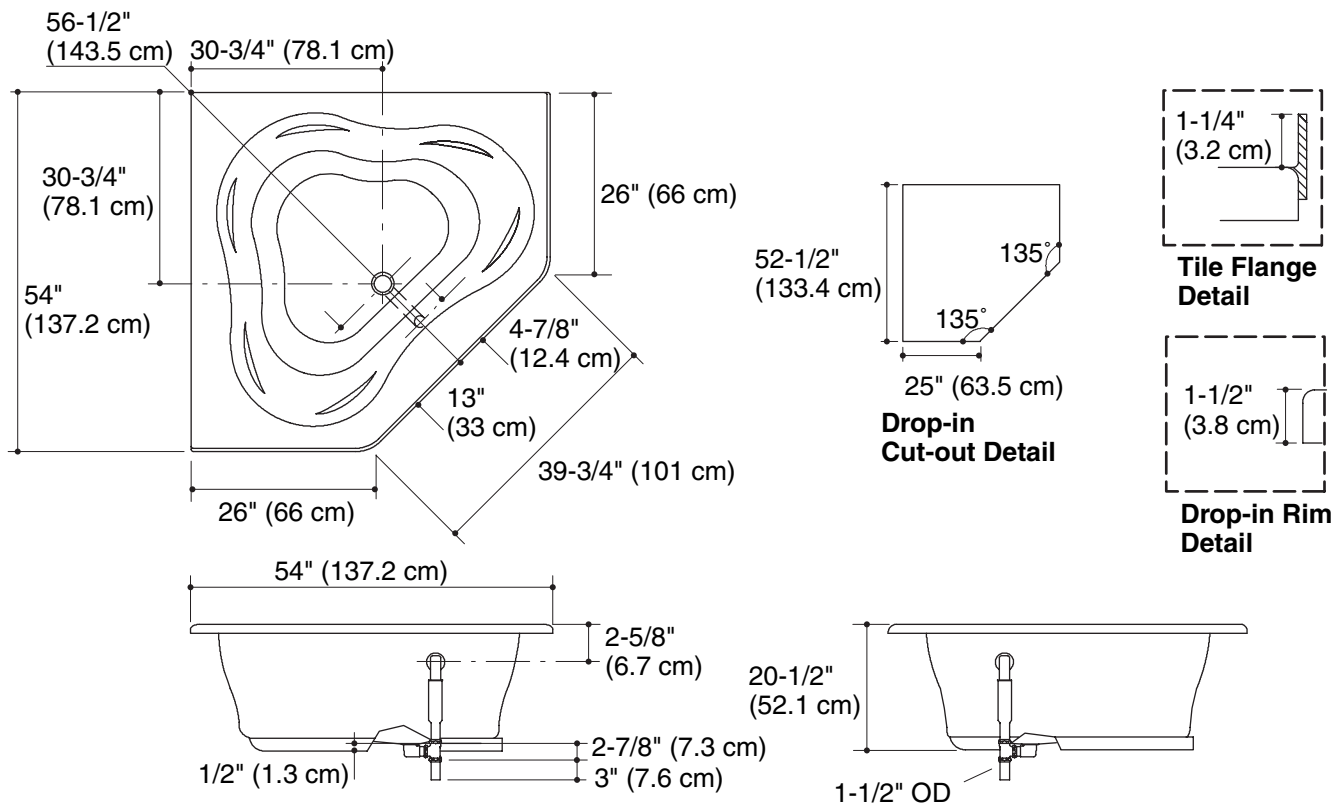
Fixture*:	
Basin area:	
Bathing well	44" (111.8 cm) x 36" (91.4 cm)
Top area	56" (142.2 cm) x 43" (109.2 cm)
To overflow:	
Water depth	15" (38.1 cm)
Capacity	76 gal (288 L)
Weight	51 lbs (23.1 kg)
* Approximate measurements for comparison only.	

Installation Notes

Install this product according to the installation guide.

Floor support under bath must provide for a minimum of 35 lbs/square foot (171 kg/square meter) loading.

No change in measurements if connected with drain illustrated. (K-11677)



Product Diagram