

Ordering Information

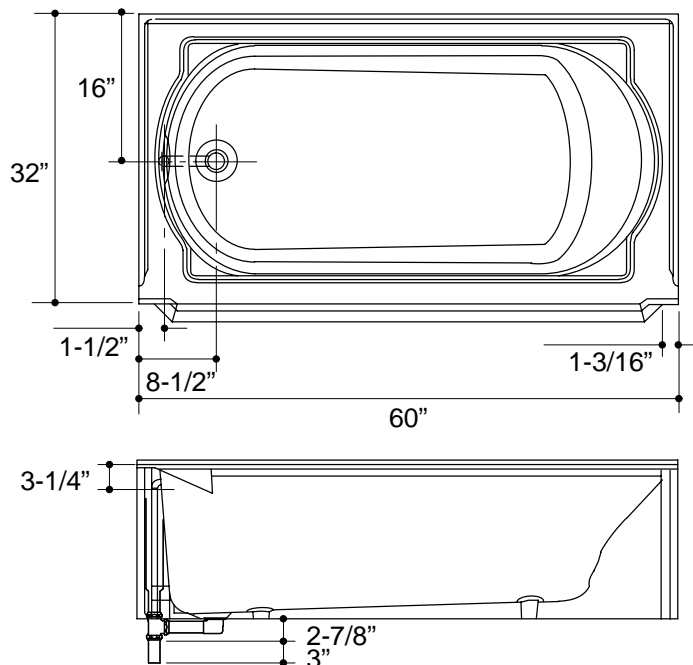
Applicable product:		
Left outlet	K-721	shown
Right outlet	K-722	not shown
Accessories/hardware:		
Drain	K-7161-AF	recommended

Product Information

ADA compliant.			
Fixture*:	basin area	top area	weight
Bathing well	45" x 23"	54" x 25"	350 lbs.
	water depth	capacity	
To overflow	11-5/8"	52 gal.	
* Approximate measurements for comparison only.			

Installation Notes

Refer to installation instructions included with fixture before beginning installation.



Roughing-In Notes

Fixture dimensions are nominal and conform to tolerances in ANSI/ASME Standard A112.19.1.

No change in measurements if connected with drain illustrated.

