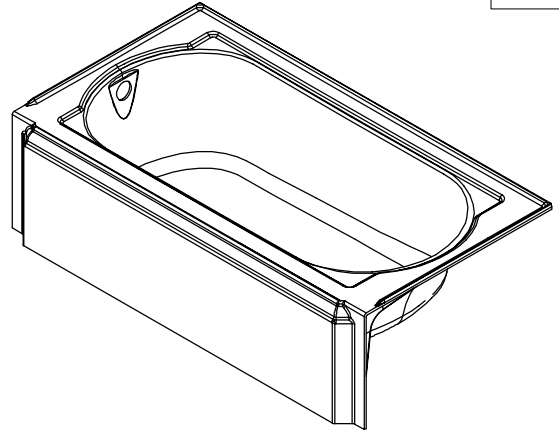


#### FEATURES

- 60" x 33-3/4" x 17-7/16"
- Cast iron with Safeguard® finish
- Left or right outlet
- ADA compliant when installed with seat at head end

## K-721, K-722

ADA



#### CODES/STANDARDS APPLICABLE

Specified model meets or exceeds the following:

- ADA
- ASME/ANSI A112.19.1M
- CABO/ANSI A117.1
- IAPMO/UPC
- Canadian Standards Association (CSA)
- State of Massachusetts

#### COLORS/FINISHES

- 0 White
- Other Refer to Fixtures Price Book for additional colors

#### Accessories:

- CP Polished Chrome
- PB Polished Brass
- Other Refer to Faucets Price Book for additional finishes

#### SPECIFIED MODEL:

Model	Description	Colors/Finishes	
K-721	Bath with outlet at left	<input type="checkbox"/> 0 White	<input type="checkbox"/> Other_____
K-722	Bath with outlet at right	<input type="checkbox"/> 0 White	<input type="checkbox"/> Other_____

Recommended Accessories			
K-7161-AF	Drain	<input type="checkbox"/> CP	<input type="checkbox"/> PB <input type="checkbox"/> Other_____

#### PRODUCT SPECIFICATION:

The bath shall be 60" in length, 33-3/4" in width, and 17-7/16" in height. Bath shall be made of enameled cast iron with Safeguard® finish. Bath shall have left or right outlet. Bath shall be ADA compliant when installed with seat at head end. Bath shall be Kohler Model K-\_\_\_\_\_-\_\_\_\_\_.

# MEMOIRS™

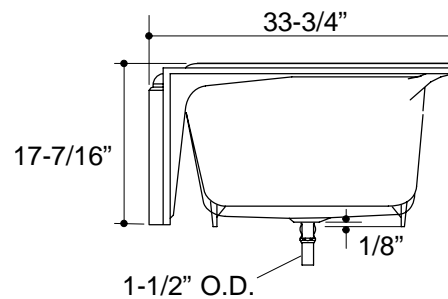
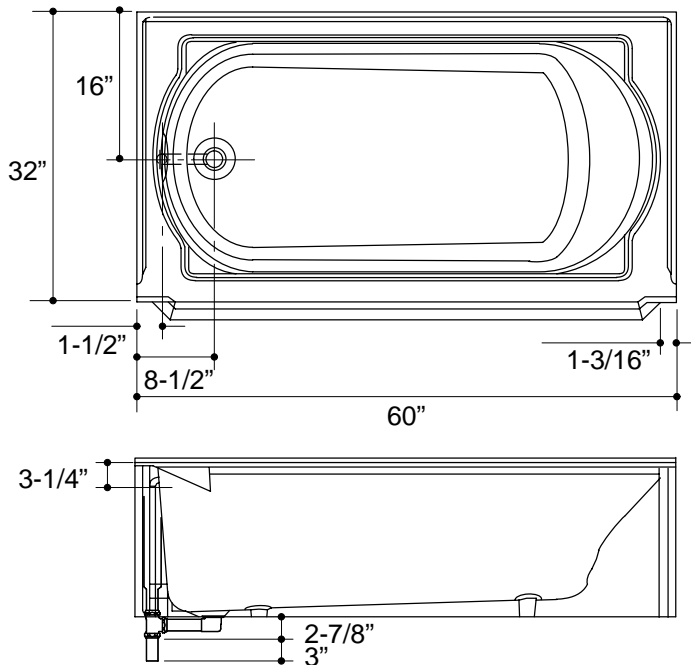
## PRODUCT INFORMATION

Fixture*:	basin area	top area	weight
Bathing well	45" x 23"	54" x 25"	350 lbs.
	water depth	capacity	
To overflow	11-5/8"	52 gal.	

\* Approximate measurements for comparison only.

### Roughing-In Notes

No change in measurements if connected with drain illustrated.



316

## PRODUCT DIAGRAM