

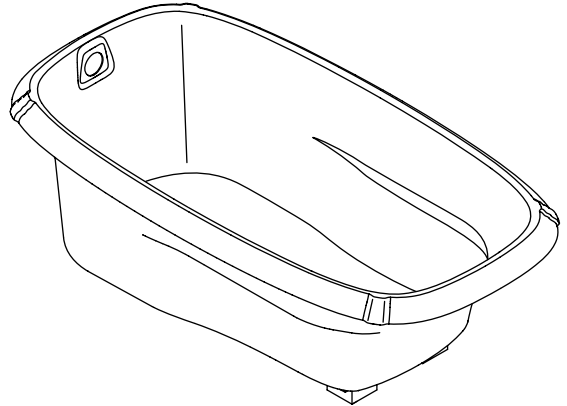
Features

- Acrylic
- Molded lumbar supports and armrests
- 60" (152.4 cm) x 32" (81.3 cm) x 20" (50.8 cm)
- 60 gallon (227.1 L) capacity

Codes/Standards Applicable

Specified model meets or exceeds the following:

- ANSI Z124.1
- IAPMO/UPC



Colors/Finishes

- 0: White
- Other: Refer to Price Book for additional colors/finishes

Specified Model

For complete faucet, both faucet trim and Rite-Temp valve must be specified.

Model	Description	Colors/Finishes		
K-1013	Bath, drop-in	<input type="checkbox"/> 0 White	<input type="checkbox"/> Other_____	
Recommended Accessories				
K-7161-AF	Drain	<input type="checkbox"/> CP	<input type="checkbox"/> PB	<input type="checkbox"/> Other_____

Product Specification:

The bath shall be 60" (152.4 cm) in length, 32" (81.3 cm) in width, and 20" (50.8 cm) in height. Bath shall be made of acrylic. Bath shall have a capacity of 60 gallons (227.1 L). Bath shall have arm rests and lumbar support to cradle the body. Bath shall be Kohler Model K-1013-_____.

PORTRAIT 5'

Technical Information

Fixture:*	basin area	top area	weight
Bathing well	42" (106.7 cm) x 20" (50.8 cm)	51" (129.5 cm) x 24" (61 cm)	70 lbs. (32 kg)
To overflow	14" (35.6 cm)	60 gal. (227.1 L)	

* Approximate measurements for comparison only.

No change in measurements if connected with drain illustrated. (K-7161-AF or K-7161M-AF)

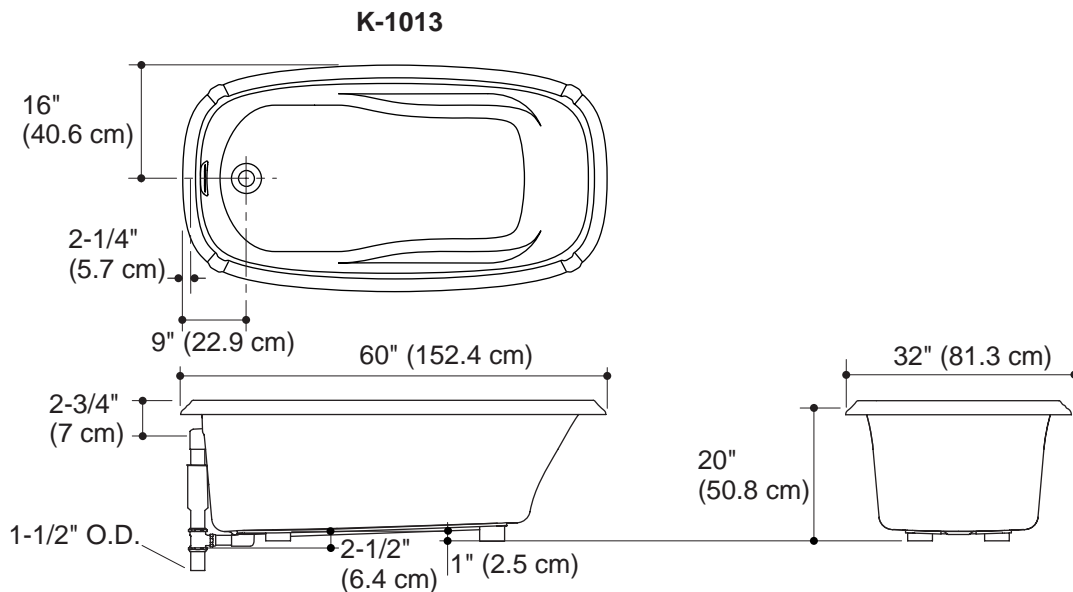
Included Components:

Cut-out template 1022451-7

Installation Notes

Install this product according to the installation guide.

Unless otherwise specified, floor support under bath must provide for a minimum of 80 lbs./square foot (390 Kg./square meter) loading.



Product Diagram