

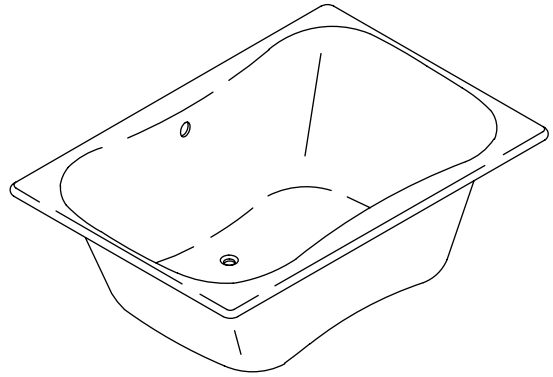
### Features

- Acrylic
- Optional K-1491 removable bath pillow
- 59-1/2" (151.1 cm) x 41-5/8" (105.7 cm) x 21" (53.3 cm)

### Codes/Standards Applicable

Specified model meets or exceeds the following:

- ANSI Z124.1.2



### Colors/Finishes

- 0: White
- Other: Refer to Price Book for additional colors/finishes

### Accessories

- 0: White
- CP: Polished Chrome
- PB: Vibrant® Polished Brass
- NA: None applicable
- Other: Refer to Price Book for additional colors/finishes

### Specified Model

Model	Description	Colors/Finishes
K-1449	Bath	<input type="checkbox"/> 0 <input type="checkbox"/> Other_____
<b>Recommended Accessories</b>		
K-7161-AF	Pop-up drain	<input type="checkbox"/> CP <input type="checkbox"/> PB <input type="checkbox"/> Other_____
<b>Optional Accessories</b>		
K-1179	Vinyl tiling-in bead (use when wall material contacts any top surface of bath)	<input type="checkbox"/> NA
K-1491	Removable pillow	<input type="checkbox"/> 0 <input type="checkbox"/> Other_____

### Product Specification

The acrylic bath shall be 59-1/2" (151.1 cm) in length, 41-5/8" (105.7 cm) in width, and 21" (53.3 cm) in height. The bath shall have an optional K-1491 removable bath pillow. The bath shall be Kohler Model K-1449-\_\_\_\_\_.

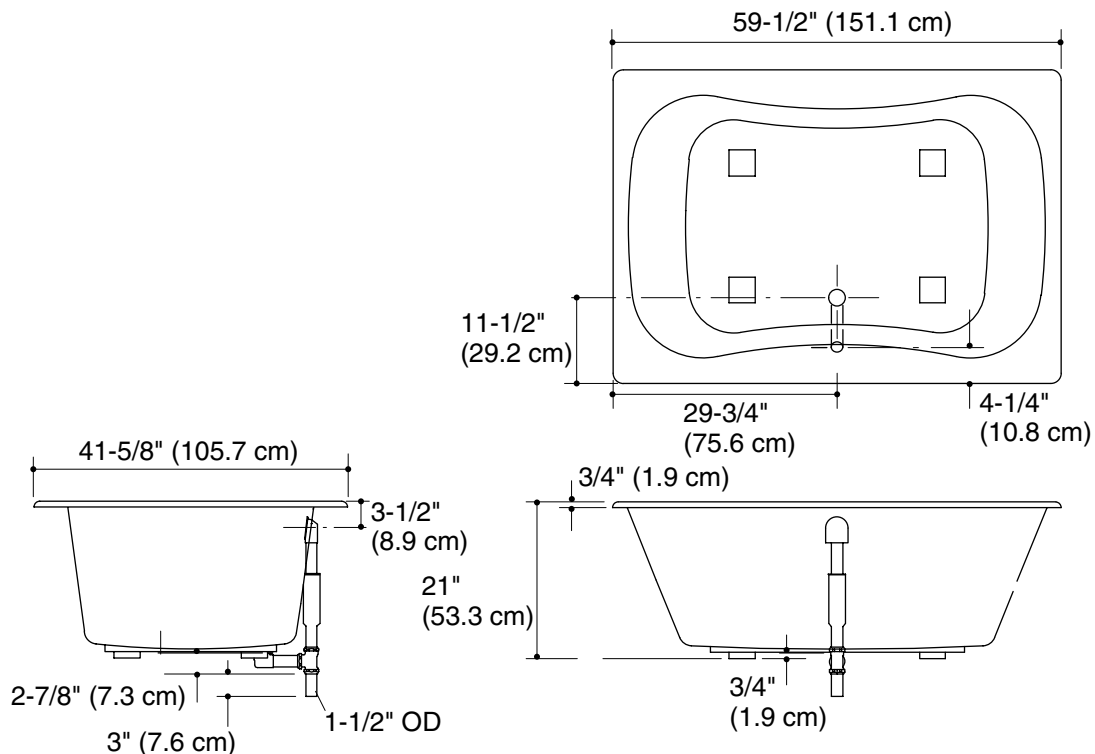
# INFINITY ∞ BATH™

## Technical Information

Fixture*:	
Basin area:	
Bathing well	41" (104.1 cm) x 29" (73.7 cm)
Top area	56" (142.2 cm) x 36" (91.4 cm)
To overflow:	
Water depth	15" (38.1 cm)
Capacity	85 gal (321.8 L)
Weight	100 lbs (45.4 kg)
Drop-in cut-out	58" (147.3 cm) x 40" (101.6 cm)
* Approximate measurements for comparison only.	

## Installation Notes

Install this product according to the installation guide.  
 Floor support under bath must provide a minimum of 49 lbs/square foot (237 kg/square meter).



## Product Diagram