

Ordering Information

Accessories/hardware:		
Drain	K-7161-AF	recommended
Undermount installation kit	K-583	optional
Vinyl tiling-in bead*	K-1179	optional

*Use K-1179 vinyl bead when wall material contacts any top surface of bath.

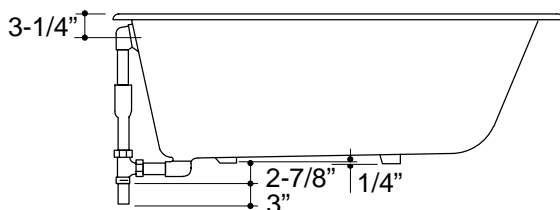
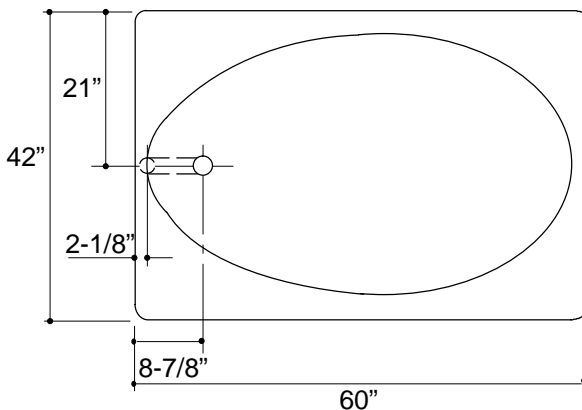
Product Information

Fixture*:	basin area	top area	weight
Bathing well	42" x 26"	54" x 32"	418 lbs.
	water depth	capacity	
To overflow	15"	70 gal.	

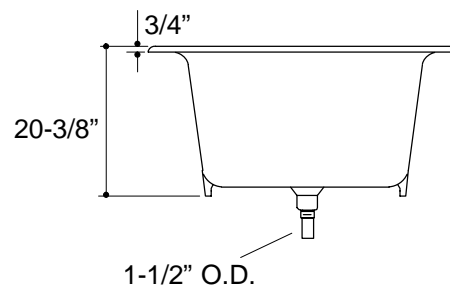
* Approximate measurements for comparison only.

Installation Notes

Refer to installation instructions included with fixture before beginning installation.



Roughing-In Notes	
Fixture dimensions are nominal and conform to tolerances in ANSI Standard A112.19.1.	
No change in measurements if connected with drain illustrated.	
Cut-out for drop-in	58-1/2" x 40-1/2"
Cut-out for undermount	K-583 template required



1.25>132