

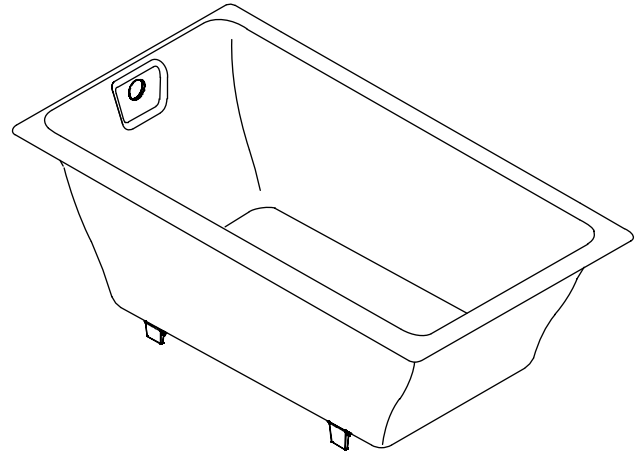
Features

- Cast iron with Safeguard® finish
- 66" (167.6 cm) x 36" (91.4 cm) x 24" (61 cm)

Codes/Standards Applicable

Specified model meets or exceeds the following:

- IAPMO/UPC
- ASME A112.19.1M
- ASME A112.19.7M
- ICC/ANSI A117.1



Colors/Finishes

- 0: White
- Other: Refer to Price Book for additional colors/finishes

Accessories:

- CP: Polished Chrome
- PB: Polished Brass
- Other: Refer to Price Book for additional colors/finishes
- NA: None applicable

Specified Model

Model	Description	Colors/Finishes		
K-855	Bath, drop-in rim style	<input type="checkbox"/> 0	<input type="checkbox"/> Other _____	
K-855-L	Bath, left drain, integral flange	<input type="checkbox"/> 0	<input type="checkbox"/> Other _____	
K-855-R	Bath, right drain, integral flange	<input type="checkbox"/> 0	<input type="checkbox"/> Other _____	
Required Accessory				
K-7147-AF	Drain	<input type="checkbox"/> CP	<input type="checkbox"/> PB	<input type="checkbox"/> Other _____
Recommended Accessory				
K-587	Undermount installation kit	<input type="checkbox"/> NA		

Product Specification

The bath shall be 66" (167.6 cm) in length, 36" (91.4 cm) in width, and 24" (61 cm) in height. Bath shall be made of cast iron with Safeguard® finish. Bath shall be Kohler Model K-855-_____.

TEA-FOR-TWO™

Technical Information

Fixture*:	
Weight	440 lbs (199.6 kg)
Bathing Well:	
Basin area	45" (114.3 cm) x 25" (63.5 cm)
Top area	58" (147.3 cm) x 29" (73.7 cm)
To Overflow:	
Water depth	19-1/2" (49.5 cm)
Capacity	105 gal (397.4 L)
* Approximate measurements for comparison only.	

Installation Notes

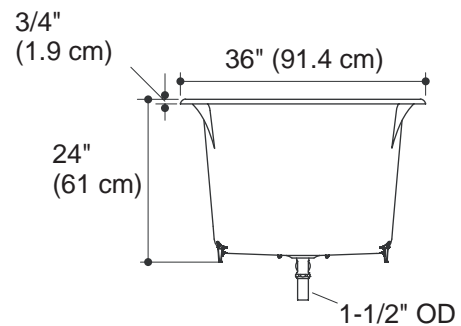
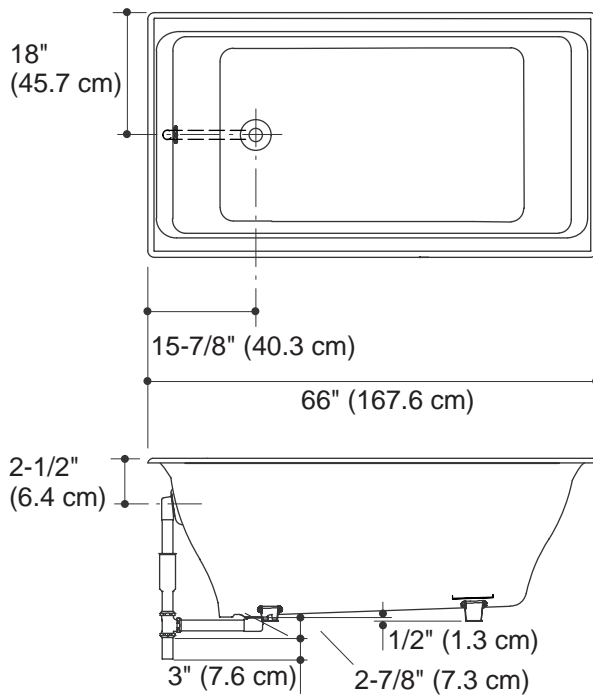
Install this product according to the installation guide.

Floor support under the whirlpool must provide for a minimum of 2000 lbs (907.2 kg) loading.

For a drop-in installation, the cut-out dimension is 64-1/2" (163.8 cm) x 34-1/2" (87.6 cm).

For an undermount installation, the K-587 template is required.

No change in measurements if connected with drain illustrated.



Product Diagram