

## Ordering Information

Accessories/hardware:		
Drain	K-7161-AF	recommended
Undermount installation kit	K-581	optional
Grip rails (pair)	K-9616	required
Vinyl tiling-in bead*	K-1179	optional

\*Use K-1179 vinyl bead when wall material contacts any top surface of bath.

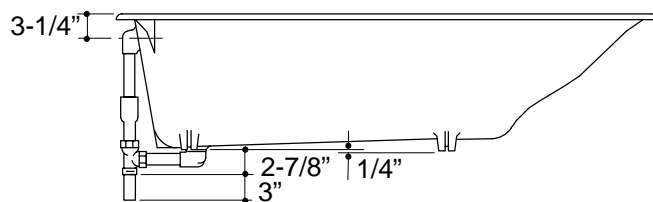
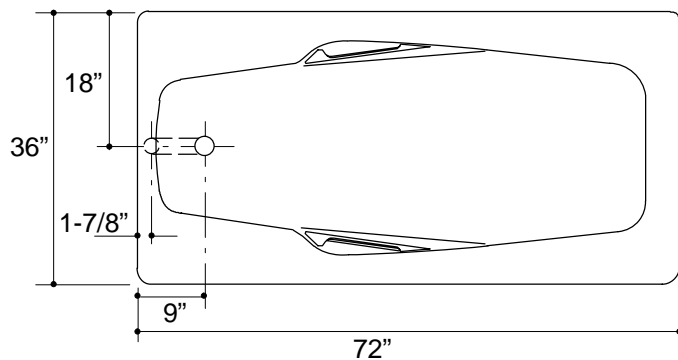
## Product Information

Fixture*:	basin area	top area	weight
Bathing well	47" x 24"	67" x 29"	380 lbs.
	water depth	capacity	
To overflow	12-7/8"	52 gal.	

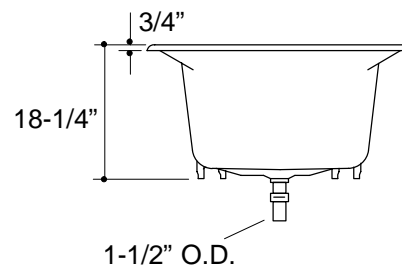
\* Approximate measurements for comparison only.

## Installation Notes

Refer to installation instructions included with fixture before beginning installation.



Roughing-In Notes	
Fixture dimensions are nominal and conform to tolerances in ANSI Standard A112.19.1.	
No change in measurements if connected with drain illustrated.	
Cut-out for drop-in	70-1/2" x 34-1/2"
Cut-out for undermount	K-581 template required



1.25>132

**K-810 Caribbean™ Bath**  
106124-1-AA (-)

**KOHLER®**