

### Product Information

Applicable product:			
Acrylic bath	K-1417	shown	
Accessories/hardware:			
Drain	K-7161-AF	recommended	
Fixture*:	Basin area	Top area	Weight
Bathing well	48" (121.9 cm) x 27" (68.6 cm)	60" (152.4 cm) x 30" (76.2 cm)	86 lbs (39 kg)
Water depth (to overflow)		Capacity (to overflow)	
16" (40.6 cm)		94 gal (355.8 L)	
Cutout dimensions		70-1/2" (179.1 cm) x 40-1/2" (102.9 cm)	

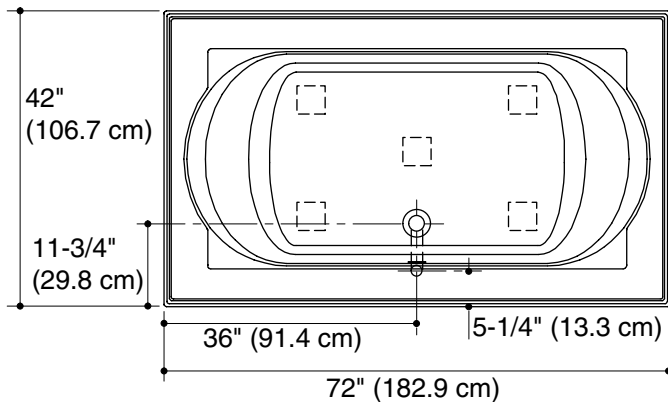
### Installation Notes

Install this product according to the installation guide.

If installing a rim-mount faucet, make sure that there is no interference with drain overflow before drilling any holes. Consult local and national codes for minimum air gap requirements if installing a spout on the faucet deck.

This bath is designed for drop-in installation only. It is not suited for use in a three wall alcove with an overhead shower.

Fixture dimensions are nominal and conform to tolerances in ANSI Standard Z124.1.



No change in measurements if connected with drain illustrated. (K-7161-AF)

