

### Product Information

Applicable product:			
6' (1.8 m) drop-in bath		K-1125	
Fixture*:	basin area	top area	weight
Bathing well	51-3/8" (130.4 cm) x 21" (53.3 cm)	64-1/2" (163.8 cm) x 30-1/2" (77.5 cm)	70 lbs (31.7 kg)
To overflow	water depth	capacity	
	15" (38.1 cm)	72 gal (273 L)	
* Approximate measurements for comparison only.			

### Installation Notes

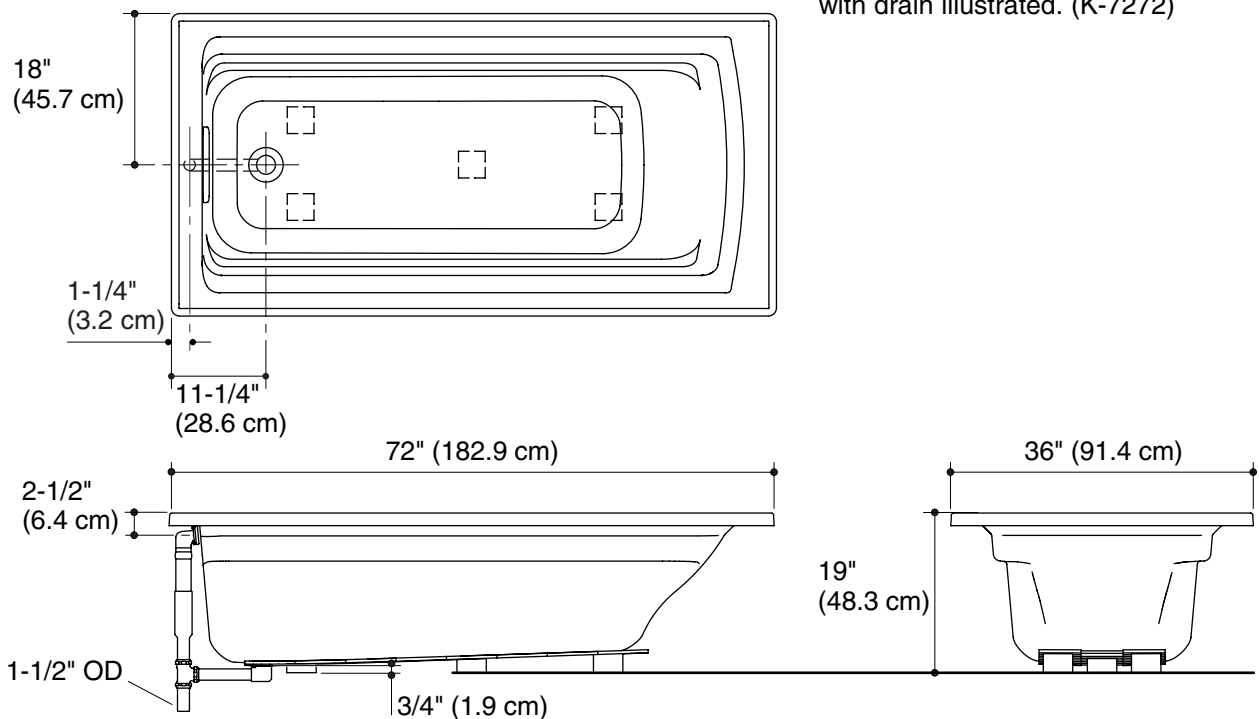
Install this product according to the installation guide.

Floor support under this product must provide for a minimum of 40 lbs/square foot (195 kg/square meter) loading.

The hot water supply should be 70% of the capacity of the bath or greater. Installations will vary.

This bath is designed for drop-in installation only. It is not suited for use in a three wall alcove with an overhead shower.

Fixture conforms to ANSI Standard Z124.1.2. All dimensions are nominal.



No change in measurements if connected with drain illustrated. (K-7272)