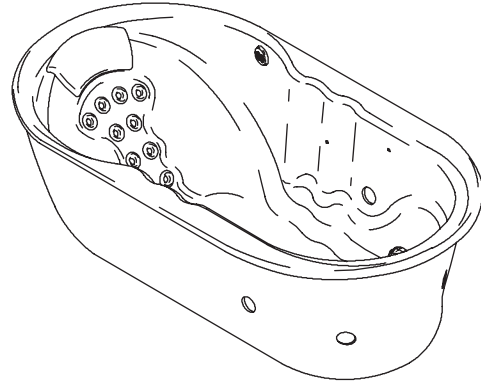


### BATH WHIRLPOOL K-1338-H2

#### Features

- Acrylic
- Ten color-matched sequencing Bodyssage™ backjets
- 4 Flexjet™ jets
- Less all trim
- Drilled for required grip rails
- 2 hp variable-speed pump with 1.5 kW heater, back-lit user control, remote control, and pulsating neckjets with pillow
- 66" (167.6 cm) x 35-3/4" (90.8 cm) x 22" (55.9 cm)



#### Codes/Standards Applicable

Specified model meets or exceeds the following:

- ASME A112.19.7M
- ANSI Z124.1.2
- IAPMO/UPC
- Underwriters Laboratories (UL)

#### Colors/Finishes

- 0: White
- Other: Refer to Price Book for additional colors/finishes

#### Accessories

- 0: White
- CP: Polished Chrome
- PB: Vibrant® Polished Brass
- Other: Refer to Price Book for additional colors/finishes

#### Specified Model

Model	Description	Colors/Finishes		
K-1338-H2	Bath whirlpool	<input type="checkbox"/> 0	<input type="checkbox"/> Other_____	
<b>Required Accessories</b>				
K-9653	Grip rails (pair)	<input type="checkbox"/> CP	<input type="checkbox"/> PB	<input type="checkbox"/> Other_____
K-9694	Jet trim kit	<input type="checkbox"/> CP	<input type="checkbox"/> PB	<input type="checkbox"/> Other_____
<b>Recommended Accessories</b>				
K-7161-AF	Pop-up drain	<input type="checkbox"/> CP	<input type="checkbox"/> PB	<input type="checkbox"/> Other_____
<b>Optional Accessories</b>				
K-1601	Footstop	<input type="checkbox"/> 0	<input type="checkbox"/> Other_____	

#### Product Specification

The acrylic bath whirlpool shall be 66" (167.6 cm) in length, 35-3/4" (90.8 cm) in width, and 22" (55.9 cm) in height. The bath whirlpool shall have 4 Flexjets, a 2 hp variable-speed pump, a 1.5 kW heater, back-lit user control, remote control, and pulsating neckjets with a pillow. The bath whirlpool shall have ten color-matched sequencing Bodyssage™ backjets. The bath whirlpool shall be less all trim. The bath whirlpool shall be drilled for required grip rails. The bath shall be Kohler Model K-1338-H2-\_\_\_\_\_.

# WATERSCAPE®

## Technical Information

Fixture*:					
Basin area:					
Bathing well	42" (106.7 cm) x 24" (61 cm)				
Top area	58" (147.3 cm) x 27" (68.6 cm)				
To overflow:					
Water depth	16" (40.6 cm)				
Capacity	78 gal (295.3 L)				
Weight	130 lbs (59 kg)				
* Approximate measurements for comparison only.					
Drop-in cut-out		65" (165.1 cm) x 34-3/4" (88.3 cm)			
Cut-out template		115741-7			
Pump:	Hp	kW	V	Hz	A
Variable-speed	2	1.5	240	50/60	15

## Required Electrical Service

Dedicated circuit required, protected with Class A Ground-Fault Circuit-Interrupter (GFCI) or Earth-Leakage Circuit-Breaker (ELCB):

Pump/control 220/240 V, 20 A, 50/60 Hz

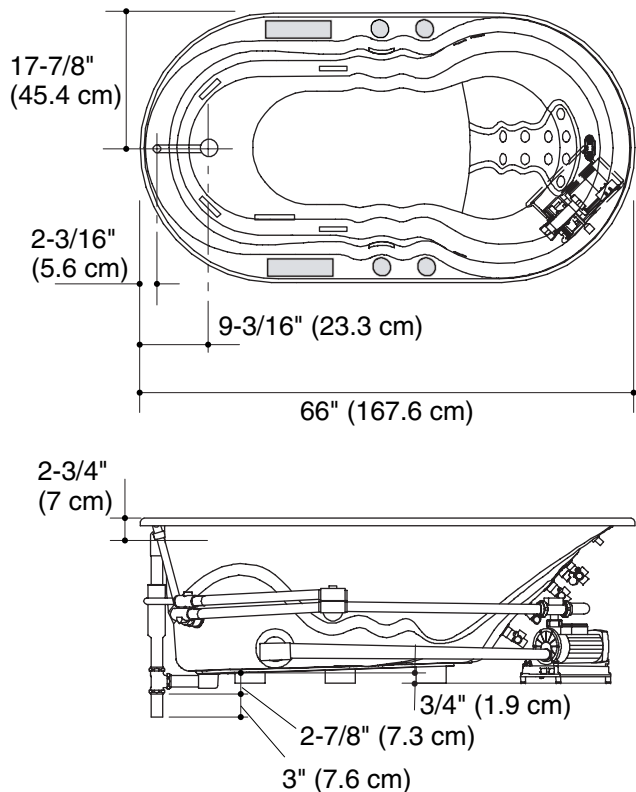
## Installation Notes

Install this product according to the installation guide.

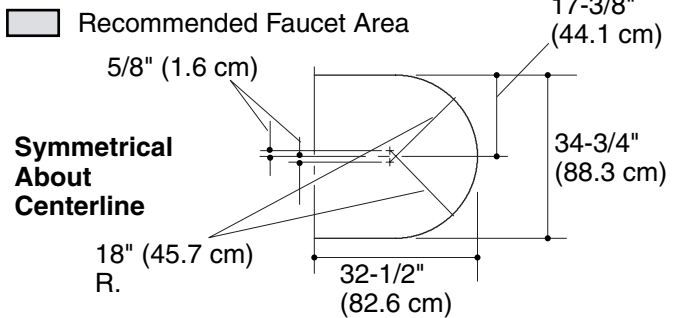
Floor support under whirlpool must provide for a minimum of 49 lbs (240 kg).

Hot water supply should be 70% of capacity or greater. Installations will vary.

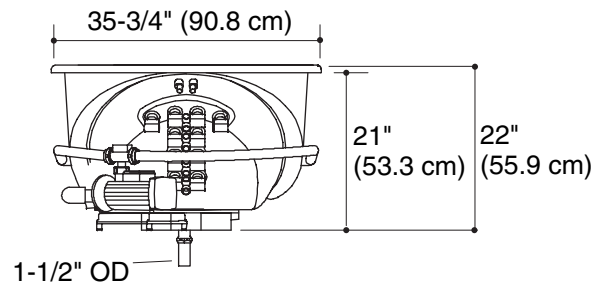
If installing a rim-mount faucet, make sure there is no interference with drain overflow and circulating system before drilling any holes. Consult local and national codes for minimum air gap requirements if installing a spout on the faucet deck.



No change in measurements if connected with drain illustrated. (K-7161-AF or K-7161M-AF)



Pump/Control Access  
34" (86.4 cm) W x  
15" (38.1 cm) H



## Product Diagram