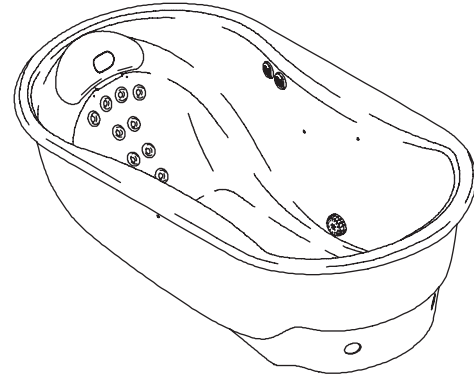


BATH WHIRLPOOL K-1339-H2

Features

- Acrylic
- Ten color-matched sequencing Bodyssage™ backjets
- 4 Flexjet™ jets
- Less all trim
- Drilled for required grip rails
- 2 hp variable-speed pump with 1.5 kW heater, back-lit user control, remote control, and pulsating neckjets with pillow
- 72" (182.9 cm) x 42" (106.7 cm) x 24-1/2" (62.2 cm)



Codes/Standards Applicable

Specified model meets or exceeds the following:

- ASME A112.19.7M
- ANSI Z124.1.2
- IAPMO/UPC
- Underwriters Laboratories (UL)

Colors/Finishes

- 0: White
- Other: Refer to Price Book for additional colors/finishes

Accessories

- 0: White
- CP: Polished Chrome
- PB: Vibrant® Polished Brass
- Other: Refer to Price Book for additional colors/finishes

Specified Model

Model	Description	Colors/Finishes		
K-1339-H2	Bath whirlpool	<input type="checkbox"/> 0	<input type="checkbox"/> Other_____	
Required Accessories				
K-9653	Grip rails (pair)	<input type="checkbox"/> CP	<input type="checkbox"/> PB	<input type="checkbox"/> Other_____
K-9694	Jet trim kit	<input type="checkbox"/> CP	<input type="checkbox"/> PB	<input type="checkbox"/> Other_____
Recommended Accessories				
K-7161	Pop-up drain	<input type="checkbox"/> CP	<input type="checkbox"/> PB	<input type="checkbox"/> Other_____
Optional Accessories				
K-1601	Footstop	<input type="checkbox"/> 0	<input type="checkbox"/> Other_____	

Product Specification

The acrylic bath whirlpool shall be 72" (182.9 cm) in length, 42" (106.7 cm) in width, and 24-1/2" (62.2 cm) in height. The bath whirlpool shall have 4 Flexjets, a 2 hp variable-speed pump, a 1.5 kW heater, back-lit user control, remote control, and pulsating neckjets with a pillow. The bath whirlpool shall have ten color-matched sequencing Bodyssage™ backjets. The bath whirlpool shall be less all trim. The bath whirlpool shall be drilled for required grip rails. The bath shall be Kohler Model K-1339-H2-_____.

VIGORA®

Technical Information

Fixture*:					
Basin area:					
Bathing well	47" (119.4 cm) x 27" (68.6 cm)				
Top area	64" (162.6 cm) x 29" (73.7 cm)				
To overflow:					
Water depth	19-1/2" (49.5 cm)				
Capacity	125 gal (473.2 L)				
Weight	140 lbs (63.5 kg)				
* Approximate measurements for comparison only.					
Drop-in cut-out		71" (180.3 cm) x 39-15/16" (101.4 cm)			
Cut-out template		89045-7			
Pump:	Hp	kW	V	Hz	A
Variable-speed	2	1.5	240	50/60	15

Required Electrical Service

Dedicated circuit required, protected with Class A Ground-Fault Circuit-Interrupter (GFCI) or Earth-Leakage Circuit-Breaker (ELCB):

Pump/control 220/240 V, 20 A, 50/60 Hz

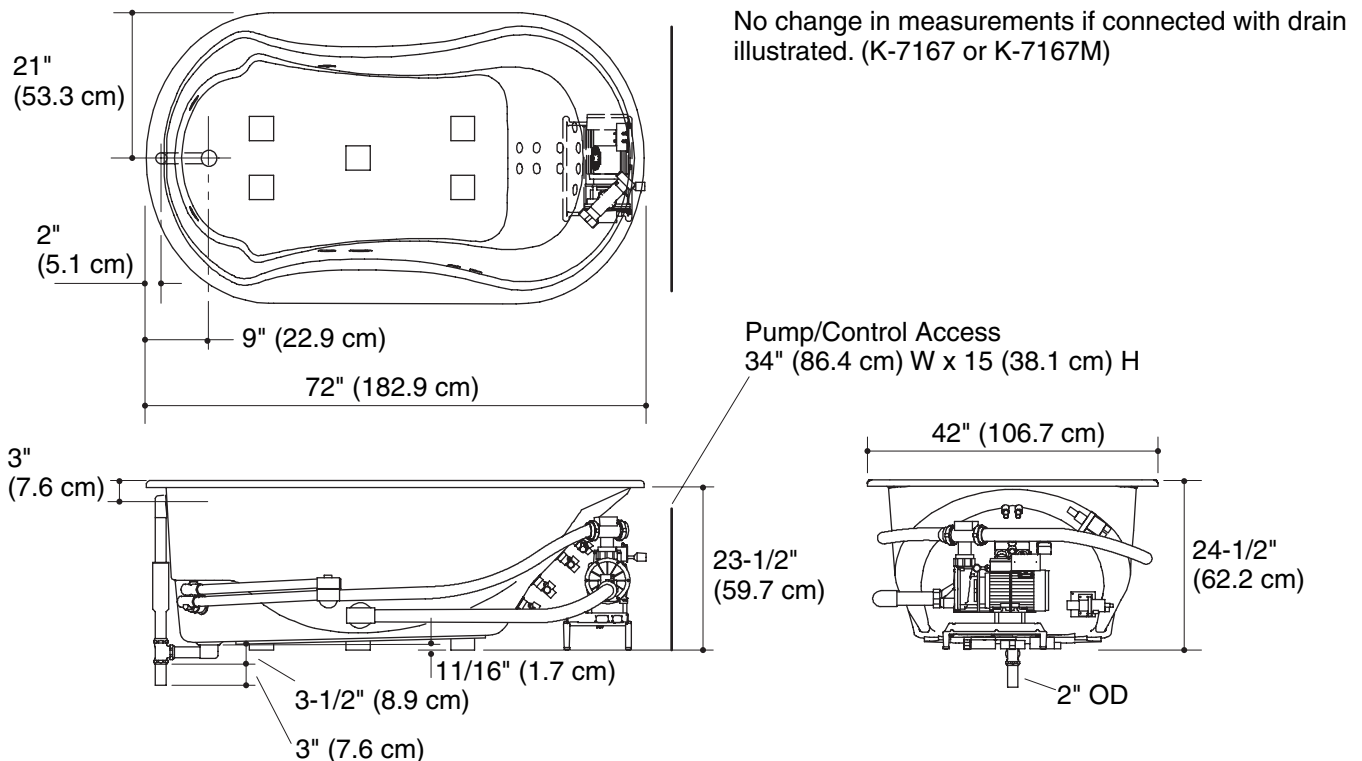
Installation Notes

Install this product according to the installation guide.

Floor support under whirlpool must provide for a minimum of 58 lbs (281 kg).

Hot water supply should be 70% of capacity or greater. Installations will vary.

If installing a rim-mount faucet, make sure there is no interference with drain overflow and circulating system before drilling any holes. Consult local and national codes for minimum air gap requirements if installing a spout on the faucet deck.



Product Diagram