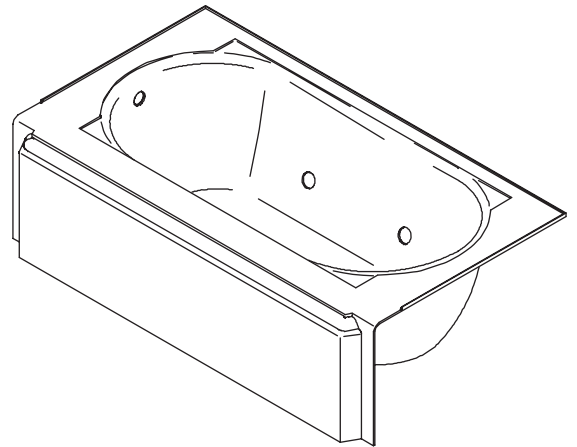


Features

- Cast iron with Safeguard® finish
- Left or right drain
- 1.5 hp variable speed pump with 1.5 kW heater, back-lit user keypad, and remote control
- 6 Flexjets™
- UL listed
- ADA compliant when installed with seat at head end
- Less all trim
- 60" (152.4 cm) x 33-3/4" (85.7 cm) x 17-7/16" (44.3 cm)

5' BATH WHIRLPOOL K-723-H2 ALSO K-724-H2



Codes/Standards Applicable

Specified model meets or exceeds the following:

- IAPMO/UPC
- Underwriter's Laboratories (UL)
- ADA
- ASME A112.19.1M
- ASME A112.19.7M

Colors/Finishes

- 0: White
- Other: Refer to Price Book for additional colors/finishes

Accessories:

- CP: Polished Chrome
- PB: Polished Brass
- Other: Refer to Price Book for additional colors/finishes
- NA: None applicable

Specified Model

Model	Description	Colors/Finishes		
K-723-H2	Bath whirlpool, left drain	<input type="checkbox"/> 0	<input type="checkbox"/> Other_____	
K-724-H2	Bath whirlpool, right drain	<input type="checkbox"/> 0	<input type="checkbox"/> Other_____	
Required Accessory				
K-9696	Jet trim kit	<input type="checkbox"/> CP	<input type="checkbox"/> PB	<input type="checkbox"/> Other_____
Recommended Accessory				
K-7161-AF	Drain	<input type="checkbox"/> CP	<input type="checkbox"/> PB	<input type="checkbox"/> Other_____
Optional Accessories				
K-1491	Pillow	<input type="checkbox"/> 0	<input type="checkbox"/> Other_____	
K-1601	Footstop	<input type="checkbox"/> 0	<input type="checkbox"/> Other_____	

Product Specification

The bath whirlpool shall be 60" (152.4 cm) in length, 33-3/4" (85.7 cm) in width, and 17-7/16" (44.3 cm) in height. Bath whirlpool shall be made of cast iron with Safeguard finish. Bath whirlpool shall have 6 Flexjets, 1.5 hp variable speed pump, 1.5 kW heater, and back-lit user control. Bath whirlpool shall be UL listed. Bath whirlpool shall be ADA compliant when installed with seat at head end. Bath whirlpool shall be less all trim. Bath whirlpool shall be Kohler Model K-_____-_____-_____.

MEMOIRS™

Technical Information

Fixture*:	Basin area	Top area	Weight
Bathing well	45" (114.323" x 58.4 cm) cm	54" (137.2 cm) x 25" (63.5 cm)	390 lbs (176.9 kg)
Water depth (to overflow)		Capacity (to overflow)	
11-5/8" (29.5 cm)		52 gal (196.8 L)	
* Approximate measurements for comparison only.			

Pump	Heater	V	A*
1.5 hp	1.5 kW	240	11
* Approximate measurements for comparison only.			

Minimum access panel (required):	
Pump/control	30" (76.2 cm) W x 15" (38.1 cm) H

Required Electrical Service

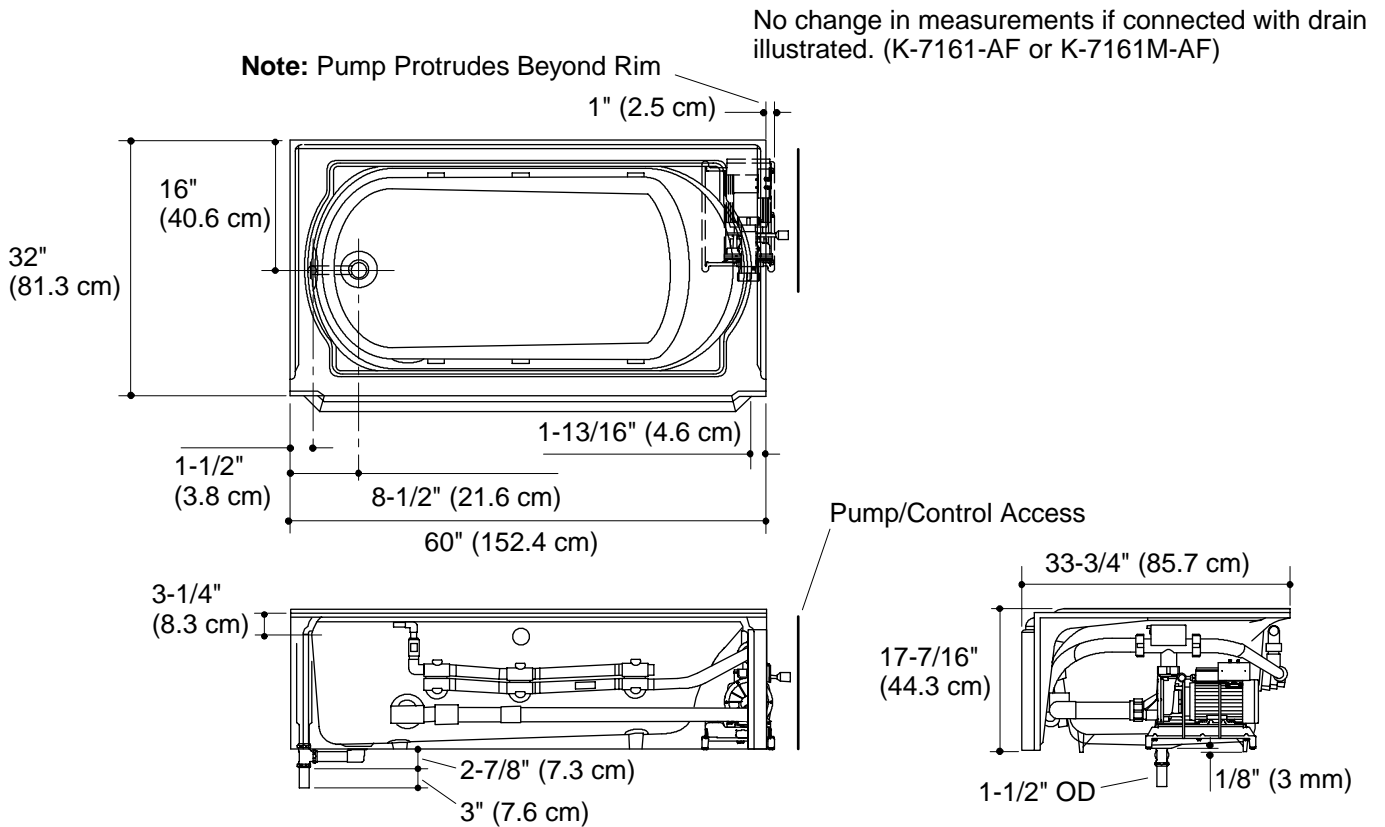
Dedicated circuit required, protected with Class A Ground-Fault Circuit-Interrupter (GFCI) or Earth-Leakage Circuit-Breaker (ELCB):	
Pump/control	208-240 V, 20 A, 50/60 Hz

Installation Notes

NOTE: Pump protrusion beyond rim.

Install this product according to the installation guide.

Floor support under whirlpool must provide for a minimum of 1500 lbs (680.4 kg).



Product Diagram