

Features

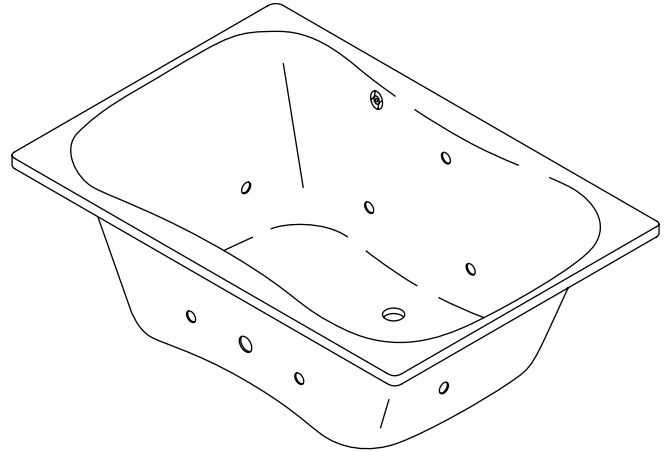
- Acrylic
- 1.5 hp variable-speed pump with 1.5 kW heater and back-lit user keypad
- 6 Flexjets™
- Custom pump locations
- Less all trim
- 59-1/2" (151.1 cm) x 41-5/8" (105.7 cm) x 21-1/2" (54.6 cm)

Codes/Standards Applicable

Specified model meets or exceeds the following:

- ASME A112.19.7M
- ANSI Z124.1.2
- IAPMO/UPC
- Underwriters Laboratories (UL)

5' x 21" CUSTOM BATH WHIRLPOOL K-1487-HF/-HH ALSO K-1487-HM/-HN



Colors/Finishes

- 0: White
- Other: Refer to Price Book for additional colors/finishes

Accessories

- 0: White
- CP: Polished Chrome
- PB: Vibrant® Polished Brass
- NA: None applicable
- Other: Refer to Price Book for additional colors/finishes

Specified Model

Model	Description	Colors/Finishes	
K-1487-HF	Bath whirlpool, custom pump (shown)	<input type="checkbox"/> 0	<input type="checkbox"/> Other_____
K-1487-HH	Bath whirlpool, custom pump (top view shown)	<input type="checkbox"/> 0	<input type="checkbox"/> Other_____
K-1487-HM	Bath whirlpool, custom pump (top view shown)	<input type="checkbox"/> 0	<input type="checkbox"/> Other_____
K-1487-HN	Bath whirlpool, custom pump (top view shown)	<input type="checkbox"/> 0	<input type="checkbox"/> Other_____

Required Accessories

K-9696	Jet trim kit	<input type="checkbox"/> CP	<input type="checkbox"/> PB	<input type="checkbox"/> Other_____
--------	--------------	-----------------------------	-----------------------------	-------------------------------------

Recommended Accessories

K-7161-AF	Pop-up drain	<input type="checkbox"/> CP	<input type="checkbox"/> PB	<input type="checkbox"/> Other_____
-----------	--------------	-----------------------------	-----------------------------	-------------------------------------

Optional Accessories table is on page 2.

Product Specification

The acrylic bath whirlpool shall be 59-1/2" (151.1 cm) in length, 41-5/8" (105.7 cm) in width, and 21-1/2" (54.6 cm) in height. The bath whirlpool shall have six Flexjets, a 1.5 hp variable-speed pump, a 1.5 kW heater, and back-lit user keypad. The bath whirlpool shall be less all trim and shall include custom pump locations. The bath whirlpool shall be Kohler Model K-1487-_____-_____.

INFINITY ∞ BATH™

Optional Accessories

K-1179	Vinyl tiling-in bead (use when wall material contacts any top surface of bath)	<input type="checkbox"/> NA
K-1491	Pillow	<input type="checkbox"/> 0 <input type="checkbox"/> Other _____
K-1601	Footstop	<input type="checkbox"/> 0 <input type="checkbox"/> Other _____
K-1703	Remote control	<input type="checkbox"/> NA

Technical Information

Fixture*:	
Bathing well:	
Basin area	41" (104.1 cm) x 29" (73.7 cm)
Top area	56" (142.2 cm) x 36" (91.4 cm)
To overflow:	
Water depth	15" (38.1 cm)
Capacity	85 gal (321.8 L)
Weight	140 lbs (63.5 kg)
Drop-in cutout	58" (147.3 cm) x 40" (101.6 cm)
* Approximate measurements for comparison only.	

Pump:	Hp	kW	V	Hz	A
Variable-speed	1.5	1.5	240	50/60	11

Required Electrical Service

Dedicated circuit required, protected with a Class A Ground-Fault Circuit-Interrupter (GFCI) or Earth-Leakage Circuit-Breaker (ELCB):

Pump/control	220/240 V, 20 A, 50/60 Hz
--------------	---------------------------

Installation Notes

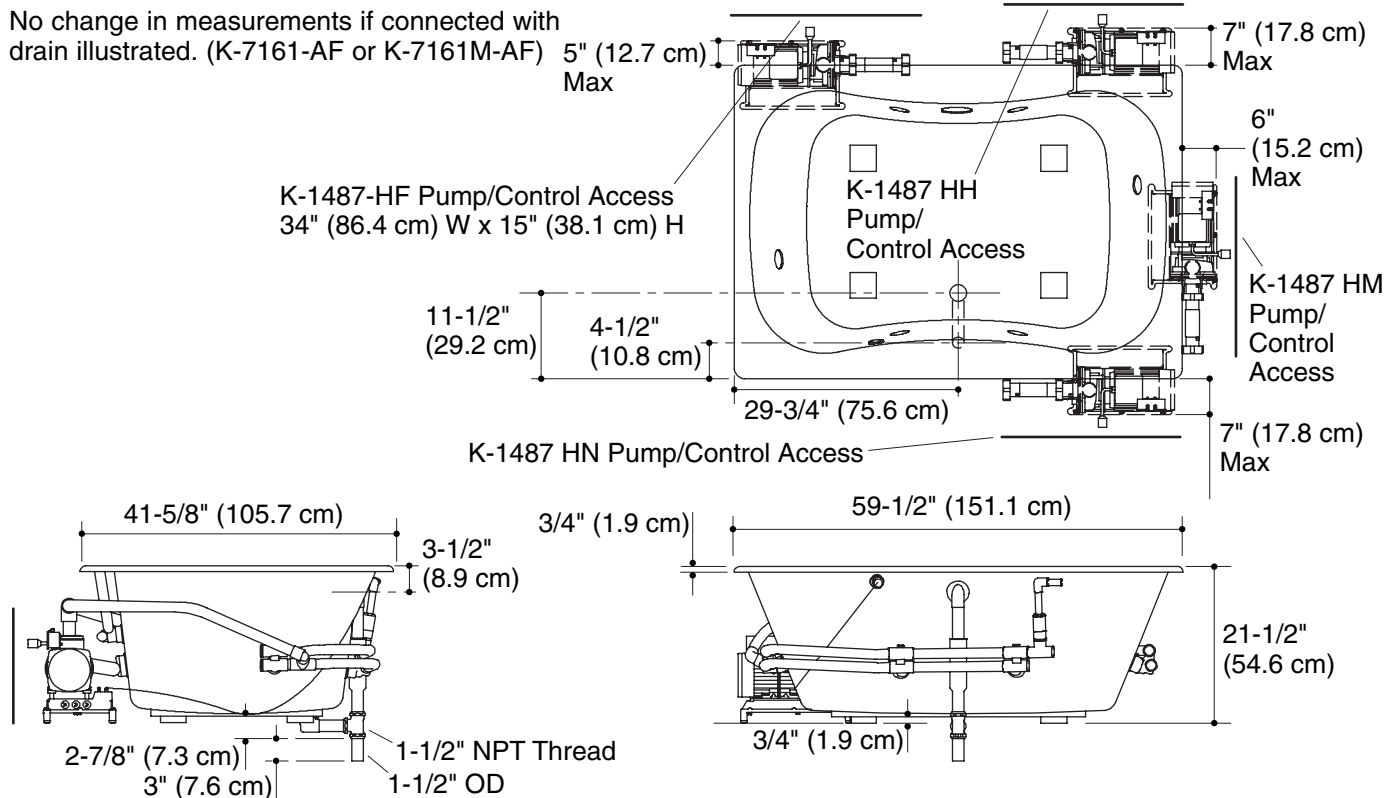
Install this product according to the installation guide.

Floor support under whirlpool must provide for a minimum of 51 lbs (248 kg) loading.

Hot water supply should be 70% of capacity or greater. Installations will vary.

Pump must be relocated to custom position at the time of installation. Provide adequate clearance.

No change in measurements if connected with drain illustrated. (K-7161-AF or K-7161M-AF)



Product Diagram

INFINITY ∞ BATH™ 5' x 21" CUSTOM BATH WHIRLPOOL

Page 2 of 2
1022363-4-B

THE BOLD LOOK
OF **KOHLER**®