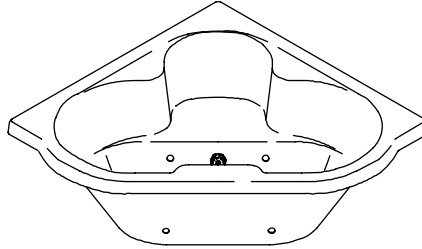


Homeowners Guide

Bath Whirlpool

K-1433



M product numbers are for Mexico (i.e. K-12345**M**)
Los números de productos seguidos de **M** corresponden a México
(Ej. K-12345**M**)
Français, page "Français-1"
Español, página "Español-1"

THE BOLD LOOK
OF **KOHLER**®

Important Information

INSTRUCTIONS PERTAINING TO A RISK OF FIRE, ELECTRICAL SHOCK, OR INJURY TO PERSONS

READ AND FOLLOW ALL INSTRUCTIONS

SAVE THESE INSTRUCTIONS



WARNING: When using electrical products, basic precautions should always be followed, including the following:



DANGER: Risk of personal injury. To reduce the risk of injury, do not permit children to use this unit unless they are closely supervised at all times.



WARNING: Risk of personal injury. To avoid injury, exercise care when entering or exiting the whirlpool.



WARNING: Risk of electric shock. Do not permit electric appliances (such as a hair dryer, lamp, telephone, radio, or television) within 5' (1.5 m) of this whirlpool.



WARNING: Risk of hyperthermia. People using medications and/or having an adverse medical history should consult a physician before using a whirlpool equipped with a heater.

Use this whirlpool only for its intended purpose as described in this manual. Do not use attachments not recommended by the manufacturer.

Never drop or insert any object into any opening.

Do not operate this unit without the guard (cover) over the suction fitting.

The whirlpool must be connected only to a supply circuit that is protected by a Ground-Fault Circuit-Interrupter (GFCI) or Residual Current Device (RCD). Such a GFCI or RCD should be provided by the installer and should be tested on a routine basis. To test the GFCI or RCD, press the test button. The GFCI or RCD should interrupt power. Press the reset button. Power should be restored. If the GFCI or RCD fails to operate in this manner, the GFCI or RCD is defective. If the GFCI or RCD interrupts power to the bath without the test button being pressed, a ground current is flowing, indicating the possibility of an electric shock. Do not use this whirlpool bath. Disconnect the whirlpool and have the problem corrected by a qualified service representative before using.



WARNING: The use of alcohol, drugs, or medication can greatly increase the risk of fatal hyperthermia. Prolonged immersion in hot water may induce hyperthermia. Hyperthermia occurs when the internal temperature of the body reaches a level several degrees above the normal body temperature of 98.6°F (37°C). The symptoms of hyperthermia include an increase in the internal temperature of the body, dizziness, lethargy, drowsiness, and fainting. The effects of hyperthermia include: (a) failure to perceive heat, (b) failure to recognize the need to exit the bath, (c) unawareness of impending hazard, (d) fetal damage in pregnant women, (e) physical inability to exit the bath, and (f) unconsciousness resulting in the danger of drowning.

IMPORTANT! Flush your whirlpool system twice a month or more depending upon usage, as described in the "Flushing Your Whirlpool System" section of this manual.

Do not allow the water temperature in the whirlpool to exceed 104°F (40°C).

Keep small objects such as bath toys and bathing accessories out of the whirlpool while the unit is running.

Repeated use of personal care products containing oils can damage plastic whirlpool components. Do not use heavy, vegetable-based shampoos or bath oils.

Whirlpool hydro-massage action can cause even a small amount of bubble bath, bath soap, shampoo, or bath oil to foam excessively. For this reason, please don't use these products during whirlpool operation.

Table of Contents

Important Information	2
Thank You For Choosing Kohler Company	3
Your Kohler Whirlpool	3
User Keypad and Whirlpool Modes/Features	4
Optional Remote Control	4
Operating Your Whirlpool	4
Care and Cleaning	5
Flushing Your Whirlpool System	5
One-Year Limited Warranty	5
One-Year Warranty	6
Troubleshooting Procedures	7
Service Parts	10

Thank You For Choosing Kohler Company

Thank you for choosing Kohler Company. Your Kohler Company product reflects the true passion for design, craftsmanship, artistry, and innovation Kohler Company stands for. We are confident its dependability and beauty will surpass your highest expectations, satisfying you for years to come.

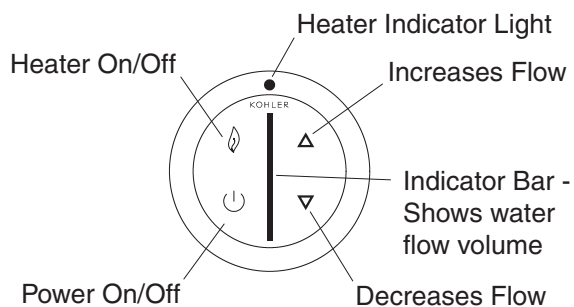
All information in this guide is based upon the latest product information available at the time of publication. At Kohler Company, we strive to fulfill our mission of improving the level of gracious living for each person who is touched by our products and services. We reserve the right to make changes in product characteristics, packaging, or availability at any time without notice.

Please take a few minutes to review this guide. Pay special attention to the care and cleaning instructions.

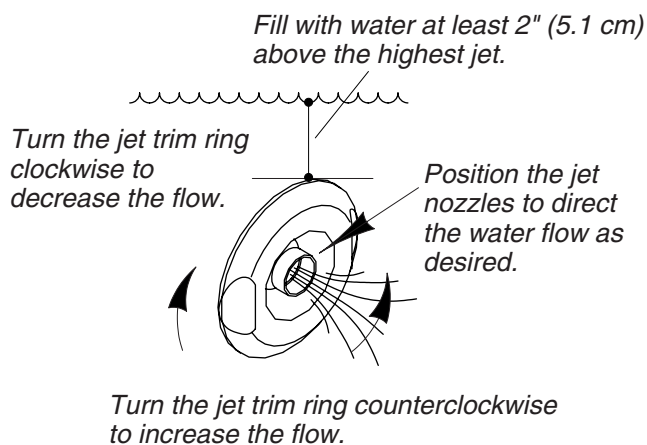
Your Kohler Whirlpool

Your new whirlpool is designed to stimulate, invigorate, and energize your body with comforting hydro-massage therapy. The whirlpool consists of the following components:

- **Bath** - Acts as a reservoir for water, and provides a location for the hydro-massage action.
- **User Keypad** - Located within easy reach, the keypad allows you to turn the whirlpool and heater on and off and regulate the water flow through the jets.
- **Pump Motor** - Provides quiet, variable speed power to circulate the water and create the soothing hydro-massage action.
- **Adjustable Jets** - Positioned to optimize their hydro-massage effect, the jets allow you to adjust the air and water flow and control the flow direction as you desire.
- **Heater** - Designed to automatically help maintain the temperature of the water up to 104°F (40°C) to enhance your hydro-massage experience. The heater turns on automatically when the whirlpool is operating, and turns off when the pump motor is turned off. The heater may be turned off, through the keypad, at any time while the pump is operating.



Lighted User Keypad



User Keypad and Whirlpool Modes/Features

- **Power** - Turns the whirlpool pump on and off.
- **Up Arrow** - Increases the water flow.
- **Down Arrow** - Decreases the water flow.
- **Heater** - The heater automatically engages when the whirlpool is turned on. You may turn the heater off by pressing the heater button. Press the button a second time to turn the heater back on.
- **Indicator Bar** - Shows the water flow volume.

Optional Remote Control

If you purchased a remote control, please refer to the Homeowners Guide packed with your remote control for detailed information.

Operating Your Whirlpool

- Turn the jet trim fully counterclockwise. Position the jet nozzles so they face down toward the basin.

NOTE: The water temperature in the whirlpool should never exceed 104°F (40°C). A built-in heater automatically maintains the water temperature when the whirlpool is running, as long as the water temperature does not exceed 104°F (40°C). The heater will disengage at higher temperatures.

- Close the drain, and fill the whirlpool to a level at least 2" (5.1 cm) above the top of the highest jet. Use your hand to test the water temperature for comfort and safety, then carefully enter the bath.
- Press Power to turn on the whirlpool. The whirlpool will start at medium volume. The heater will also turn on and the heater icon will illuminate.
- Increase or decrease the water flow by pressing the up or down arrows on the keypad. An indicator bar in the center of the keypad shows the water flow volume.
- Adjust the jets for optimum air/water mixture. Turn the jet trim clockwise to reduce the flow, and counterclockwise to increase the flow. Position the jet nozzles to direct the water flow as desired to maximize your hydro-massage experience.
- The heater turns on automatically when the whirlpool is operating, and turns off when the pump motor is turned off. The heater may be turned off, through the keypad, at anytime while the pump is operating.
- Press Power a second time to turn off the whirlpool.

Operating Your Whirlpool (cont.)

NOTE: Your whirlpool will automatically stop after approximately 20 minutes of continuous operation. You can restart the whirlpool, if you desire, by pressing Power.

- Carefully exit the bath, and open the drain to empty the whirlpool.

NOTE: Consult the "Troubleshooting" section of this manual before calling a qualified service representative.

Care and Cleaning

For best results, keep the following in mind when caring for your KOHLER product:

- Use a mild detergent such as liquid dishwashing soap and warm water for cleaning. Do not use abrasive cleaners that may scratch or dull the surface.
- Carefully read the cleaner product label to ensure the cleaner is safe for use on the material.
- Always test your cleaning solution on an inconspicuous area before applying to the entire surface.
- Do not allow cleaners to sit or soak on the surface.
- Wipe surfaces clean and rinse completely with water immediately after cleaner application. Rinse and dry any overspray that lands on nearby surfaces.
- Use a soft, dampened sponge or cloth. Never use an abrasive material such as a brush or scouring pad to clean surfaces.

For detailed cleaning information and products to consider, visit www.kohler.com/clean. To order Care & Cleaning information, call 1-800-456-4537 and press 1 for Kohler Products and then 3 for Literature.

Flushing Your Whirlpool System

- Flush your whirlpool system twice a month or more, depending upon usage. Use the following sequence:
 - Turn the jet trim rings fully clockwise to remove air induction.
 - Fill the whirlpool with warm water to a level at least 2" (5.1 cm) above the highest jets, or leave water in the whirlpool after using.
 - Add 2 tablespoons (30 ml) of a low-foaming dishwasher detergent and 20 ounces (590 ml) of household bleach (5% - 6% sodium hypochlorite) to the water.
 - Run the whirlpool for 5 to 10 minutes. Turn off the whirlpool and drain.
 - If desired, rinse the bath surfaces with water.
 - Rinse the surfaces of the jets, faucet, handrails, drain, etc. and wipe them dry with a soft cloth.

One-Year Limited Warranty

KOHLER plumbing products are warranted to be free of defects in material and workmanship for one year from date of installation.

Kohler Co. will, at its election, repair, replace or make appropriate adjustment where Kohler Co. inspection discloses any such defects occurring in normal usage within one (1) year after installation. Kohler Co. is not responsible for removal or installation costs. Use of in-tank toilet cleaners will void the warranty.

To obtain warranty service contact Kohler Co. either through your Dealer, Plumbing Contractor, Home Center or E-tailer, or by writing Kohler Co., Attn.: Customer Service Department, 444 Highland Drive, Kohler, WI 53044, USA, or by calling 1-800-4-KOHLER from within the USA, 1-800-964-5590 from within Canada and 001-877-680-1310 from within Mexico.

Implied warranties including that of merchantability and fitness for a particular purpose are expressly limited in duration to the duration of this warranty. Kohler Co. and/or seller disclaims any liability for special, incidental or consequential damages.

Some states/provinces do not allow limitations on how long an implied warranty lasts, or the exclusion or limitation of special, incidental or consequential damages so these limitations and exclusions may not apply

One-Year Limited Warranty (cont.)

to you. This warranty gives you specific legal rights. You may also have other rights which vary from state/province to state/province.

This is Kohler Co.'s exclusive written warranty.

One-Year Warranty

KOHLER CO.

It is recommended that at the time of purchase, you verify that all accessories and components are complete in this package.

This Kohler product is warranted to be free of defects in material and workmanship for one (1) year from the date of purchase as shown on the invoice or receipt.

1. Kohler Co. will only service its commercialized products through its authorized distributors.
2. To obtain warranty service, please present the invoice and corresponding warranty.
3. Through its authorized distributors, Kohler Co. promises to repair the defective product or provide a new replacement or an equivalent model (in those cases that the model has been discontinued) when the product is beyond repair, without any charge to the consumer.
4. The time of repair will not exceed six (6) weeks commencing on the date the product is received.
5. It is recommended that the consumer save the invoice or receipt as additional protection, as it may substitute the warranty in the case that there is a discrepancy in the validity of the warranty.

EXCEPTIONS AND RESTRICTIONS

The Warranty will not be valid in the following cases:

1. When the product is not operated in accordance with the instructions concerning use and operation set forth in the owner's manual or installation instructions, and when the recommendations and warnings included are not observed.
2. When the product has been modified or dismantled partially or totally; or has been used in a negligent fashion and as a consequence has suffered damages attributable to the consumer, individual, or hardware not authorized by Kohler Co.
3. This warranty does not cover the damages as a result of disaster such as fire or acts of God, including flooding, earthquake, or electric storms, etc. To obtain a list of distributors in your area where you can exercise your rights under this warranty, please call 001-877-680-1310.

KOHLER CO., KOHLER, WI 53044 U.S.A.

IMPORTER:

INTERNACIONAL DE CERÁMICA, S.A.B. DE C.V.

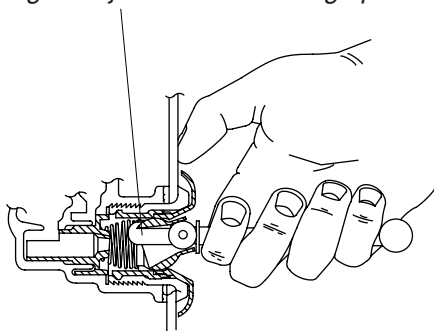
AV. CARLOS PACHECO NO. 7200

CHIHUAHUA, CHIH., MEXICO C.P. 31060

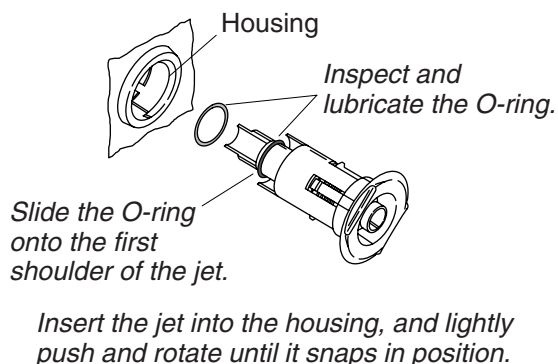
TEL: 52 (14) 29-11-11

Remove the Jets

Insert the tool hook as shown and pull the jet out of the housing. The jet should be facing up when this is done.



Reinstall the Jets



Troubleshooting Procedures

Remove the Jets

NOTE: A special tool is provided with the jets that will allow you to remove them from the whirlpool. This tool is also supplied with each trim kit.

- Position the jet ball nozzle so it is pointing upward.

NOTE: The nozzle must remain pointed up or the tool will slip off.

- Insert the removal tool, hooked end up, into the opening of the jet and hook the inside top of the nozzle.
- Grasp the tool firmly and place your thumb against the whirlpool wall. Pull steadily on the tool until the jet assembly pulls free of the hole. Be careful not to lose the O-ring.

Reinstall the Jets

NOTE: The jet O-ring must be correctly positioned, must be lubricated, and must be in good condition to permit easy rotation and proper operation of the jet.

- Install the O-ring onto the **first shoulder** of the jet. Lubricate the O-ring with silicone lubricant to prevent noisy operation of the jet.
- Carefully insert the jet into the housing, and lightly push and rotate the jet until it snaps into position. **Do not force the jet.**

NOTE: When installed correctly, the jet should turn smoothly both clockwise and counterclockwise.

Troubleshooting Guide

This troubleshooting guide is for general aid only. A Kohler Authorized Service Representative or qualified electrician should correct any electrical problems. For warranty service, contact your dealer or wholesale distributor.

Troubleshooting the Whirlpool System

Symptoms	Probable Causes	Recommended Action
1. User keypad does not illuminate when power button is pressed or outer ring is rotated.	A. No power to control.	A. Check wiring and connect power. If problem persists, refer to installer/dealer.

Troubleshooting Procedures (cont.)

Troubleshooting the Whirlpool System

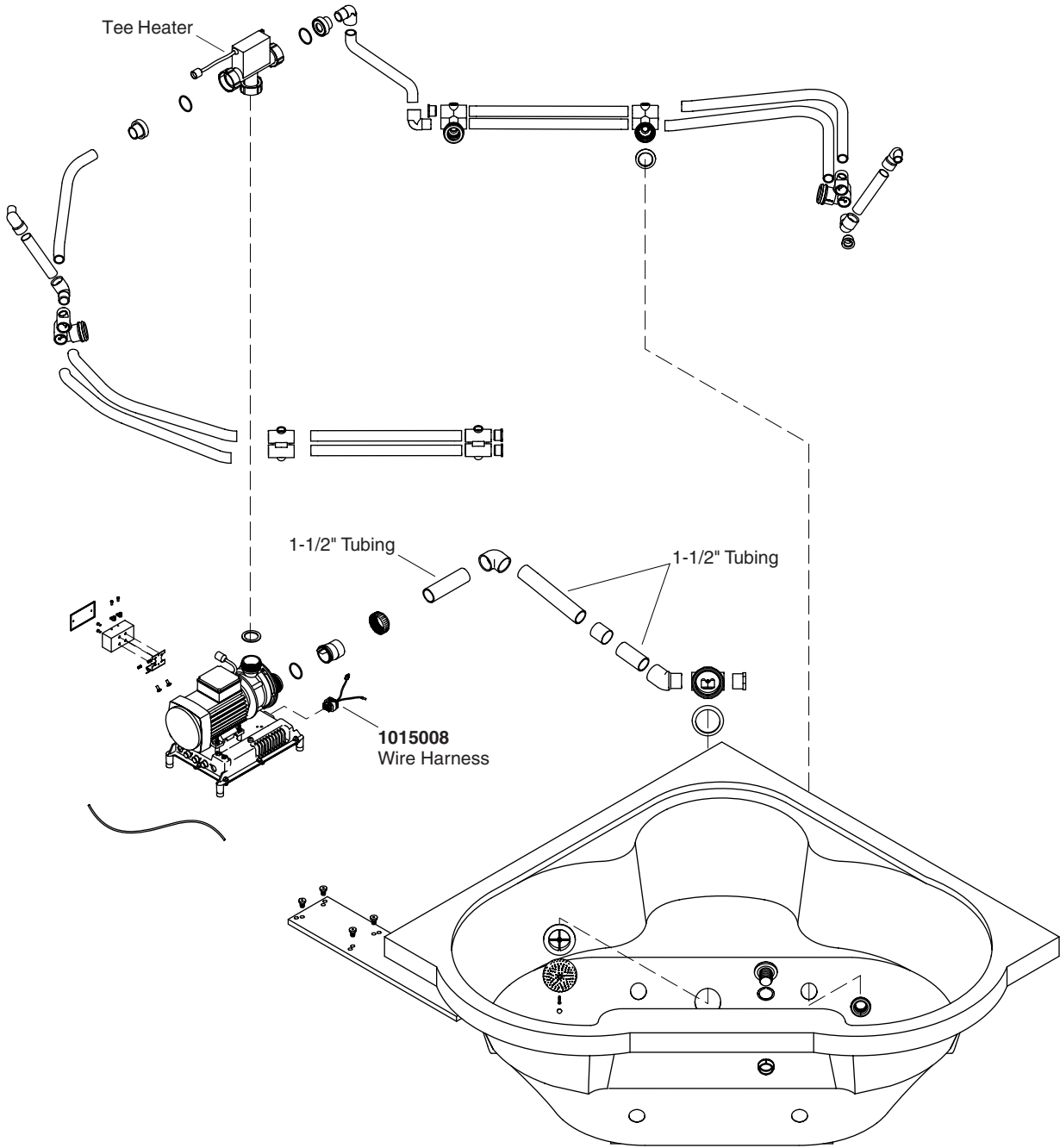
Symptoms	Probable Causes	Recommended Action
	<p>B. GFCI or RCD circuit breaker is tripped.</p> <p>C. Wiring harness from user keypad to control is loose, disconnected, or damaged.</p> <p>D. Keypad is not working.</p> <p>E. Control is not working.</p>	<p>B. Reset GFCI or RCD.</p> <p>C. Check wiring for proper connections. Replace wiring harness if necessary. Refer to installer/dealer.</p> <p>D. Replace user keypad. Refer to installer/dealer.</p> <p>E. Replace control. Refer to installer/dealer.</p>
2. Motor starts, but all jets are not functioning.	<p>A. Jet is closed.</p> <p>B. Jet not installed correctly.</p> <p>C. Jets are blocked.</p>	<p>A. Rotate jet trim ring counterclockwise to open.</p> <p>B. Reinstall jet; check for O-ring damage.</p> <p>C. Remove obstruction.</p>
3. User keypad is illuminated but does not respond to buttons or ring.	<p>A. Control program is locked.</p> <p>B. Wiring harness from user keypad to control is loose, disconnected, or damaged.</p> <p>C. Keypad is not working.</p> <p>D. Control is not working.</p>	<p>A. Reset GFCI or RCD.</p> <p>B. Check wiring for proper connections. Replace wiring harness if necessary. Refer to installer/dealer.</p> <p>C. Replace user keypad. Refer to installer/dealer.</p> <p>D. Replace control. Refer to installer/dealer.</p>
4. User keypad indicator bar keeps scanning at power-up.	<p>A. Control program is locked.</p> <p>B. Wiring harness from user keypad to control is loose, disconnected, or damaged.</p> <p>C. Keypad is not working.</p> <p>D. Control is not working.</p>	<p>A. Reset GFCI or RCD.</p> <p>B. Check wiring for proper connections. Replace wiring harness if necessary. Refer to installer/dealer.</p> <p>C. Replace user keypad. Refer to installer/dealer.</p> <p>D. Replace control. Refer to installer/dealer.</p>
5. User keypad is illuminated, but pump will not start.	<p>A. Power cord from pump to control is loose, disconnected, or damaged.</p> <p>B. Pump is not working.</p> <p>C. Control is not working.</p>	<p>A. Check wiring for proper connections. If problem persists, refer to installer/dealer.</p> <p>B. Replace pump. Refer to installer/dealer.</p> <p>C. Replace control. Refer to installer/dealer.</p>
6. Motor runs but pump will not prime (cavitates).	<p>A. Pump is shimmed too high.</p> <p>B. Small air leak at pump inlet.</p> <p>C. Motor/pump is not working.</p> <p>D. Controller is not working.</p>	<p>A. Lower pump/control to subfloor level.</p> <p>B. Securely tighten nut(s) on intake side of pump.</p> <p>C. Replace motor/pump. Refer to installer/dealer.</p> <p>D. Replace control. Refer to installer/dealer.</p>
7. Pump stops before 18 minutes.	<p>A. GFCI or RCD tripped.</p> <p>B. Suction is blocked.</p> <p>C. Jets are blocked.</p> <p>D. Motor overheated and protection device activated.</p>	<p>A. Identify source of fault, and correct. Reset GFCI or RCD.</p> <p>B. Remove obstruction.</p> <p>C. Remove obstruction.</p> <p>D. Check for blockage at suction and/or jets. Remove obstruction and allow motor to cool.</p>
8. Pump does not automatically stop after 22 minutes.	<p>A. 20-minute timer inadvertently disabled.</p>	<p>A. See Service Manual.</p>

Troubleshooting Procedures (cont.)

Troubleshooting the Whirlpool System

Symptoms	Probable Causes	Recommended Action
9. Pump will not turn off when the power button on user keypad is pressed.	<p>A. Keypad is not working.</p> <p>B. Control is not working.</p>	<p>A. Replace user keypad. Refer to installer/dealer.</p> <p>B. Replace control. Refer to installer/dealer.</p>
10. Pump operates but variable speed feature does not work.	<p>A. Motor/pump is not working.</p> <p>B. Control is not working.</p>	<p>A. Replace motor/pump. Refer to installer/dealer.</p> <p>B. Replace control. Refer to installer/dealer.</p>
11. Bath water cools while pump is operating.	<p>A. Water temperature is above 104°F (40°C).</p> <p>B. Heater is turned off on user keypad.</p> <p>C. Wiring from heater to control is loose, disconnected, or damaged.</p> <p>D. Heater is not working.</p> <p>E. Control is not working.</p>	<p>A. Allow bath water to cool.</p> <p>B. Turn heater on.</p> <p>C. Check wiring for proper connections. Refer to installer/dealer.</p> <p>D. Replace heater. Refer to installer/dealer.</p> <p>E. Replace control. Refer to installer/dealer.</p>
12. Noisy operation.	<p>A. Pump banding straps have not been cut.</p> <p>B. Dry or dislodged jet O-ring (squeal).</p>	<p>A. Cut pump banding straps with tin snips.</p> <p>B. Remove jet, replace and lubricate O-ring, and reinstall jet.</p>
13. Remote control (if equipped) does not work.	<p>A. Batteries improperly installed or dead.</p> <p>B. Antenna on wiring harness is damaged.</p> <p>C. Remote control not programmed correctly.</p> <p>D. Remote control is not working.</p> <p>E. Control is not working.</p>	<p>A. Replace batteries.</p> <p>B. Replace wiring harness. Refer to installer/dealer.</p> <p>C. See remote control Homeowners Guide or Service Manual.</p> <p>D. Replace remote control.</p> <p>E. Replace control. Refer to installer/dealer.</p>

***Note:** All tubing 1" unless otherwise noted.



****Finish/color code must be specified when ordering.**

Service Parts

- 1003065 Suction Flange Removal Tool
- 73518 Plug
- 93685 Housing
- 96708 Flange
- 65886 (Acrylic and FRP) 60050 (Cast Iron) Gasket
- 65054** Screw
- 96895** (Colored Finishes) 65061** (Metal Finishes) Cover
- 65226** Suction Cover Plug

- 93836 (1/2")
- 93837 (3/4")
- 93838 (1")
- 93839 (1-1/4")
- 94853 (1-1/2")
- Tube (w/Couplings)

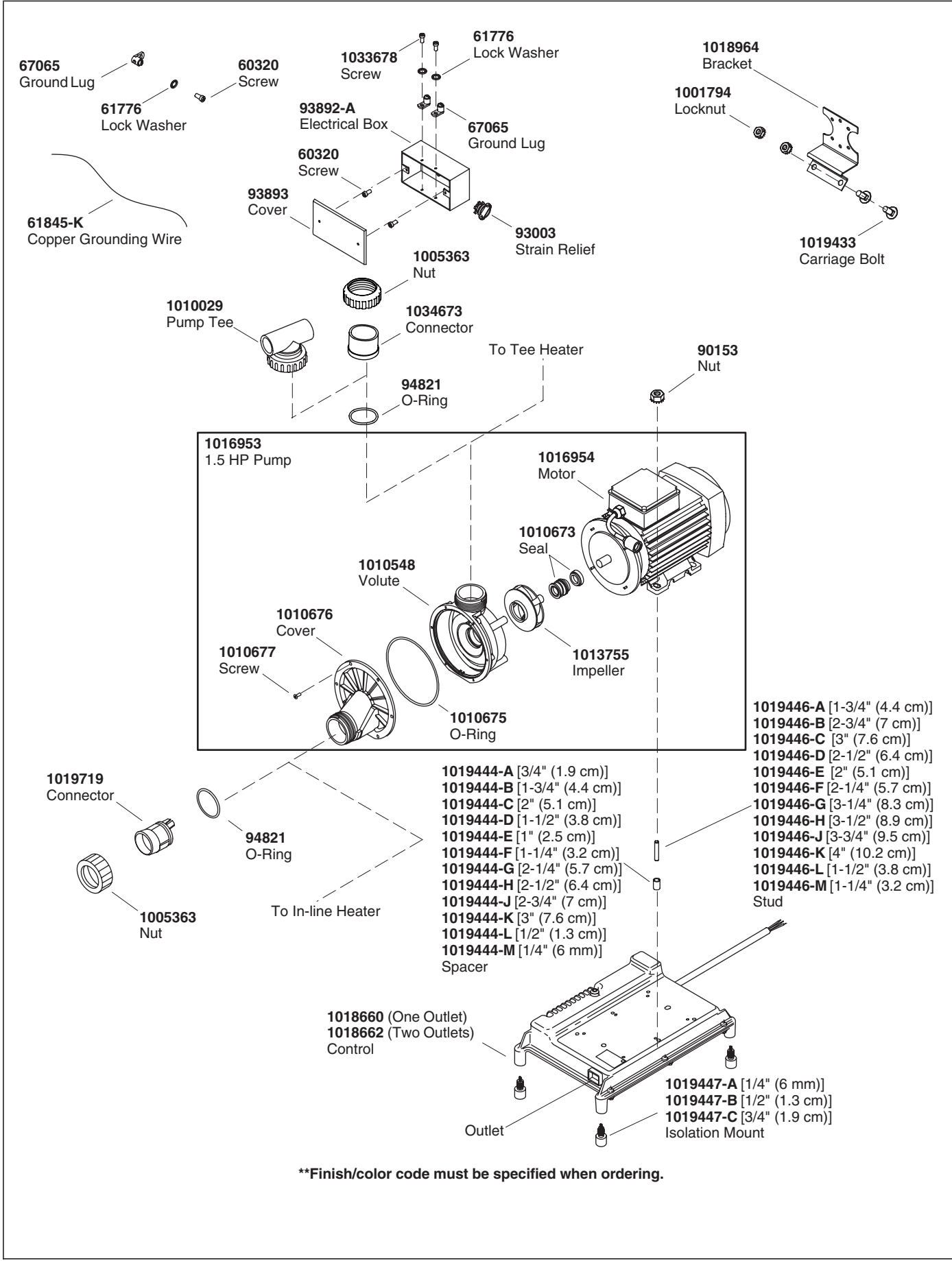
- 91967 Check Valve

- 1086350 Flange Removal Wrench
- 67665 Plug
- 67429 Flange
- 67889 Jet Housing
- 65885 (Acrylic and FRP) 67668 (Cast Iron) Gasket

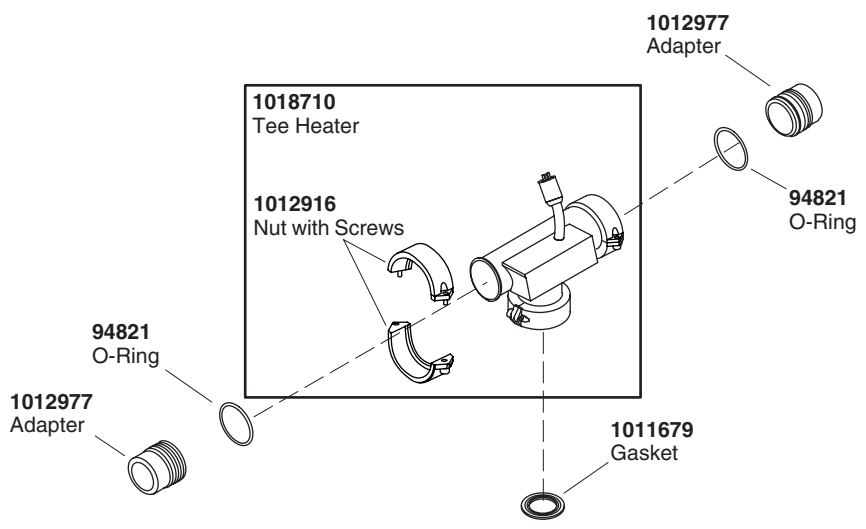
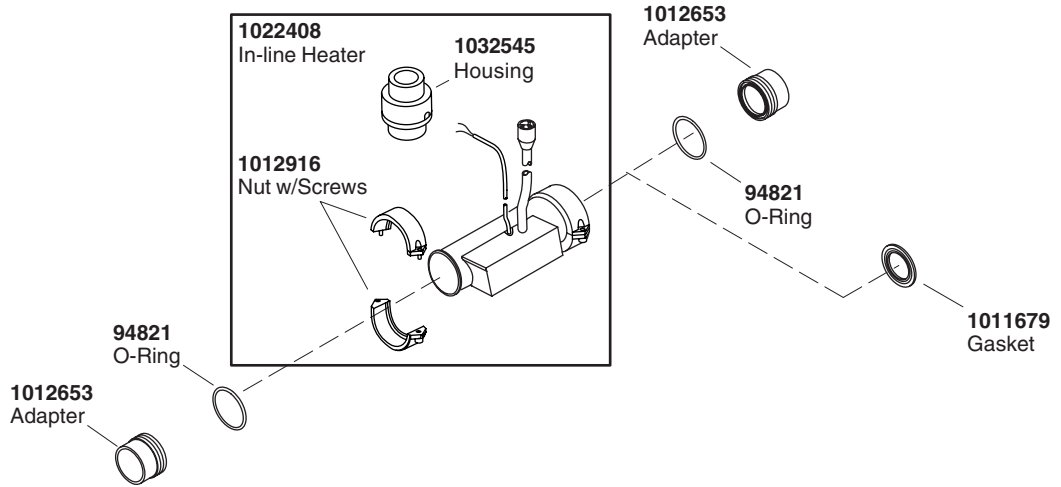
- 34353 O-Ring
- 1045715-P Silicone Lube Packet
- 30739 Jet Tool

- Single Jet For Whirlpools With 5 or Less Jets**
- 88532** (Colored Finishes) 88531** (Metal Finishes) Jet
- Single Jet For Whirlpools With 6 or More Jets**
- 88530** (Colored Finishes) 88529** (Metal Finishes) Jet

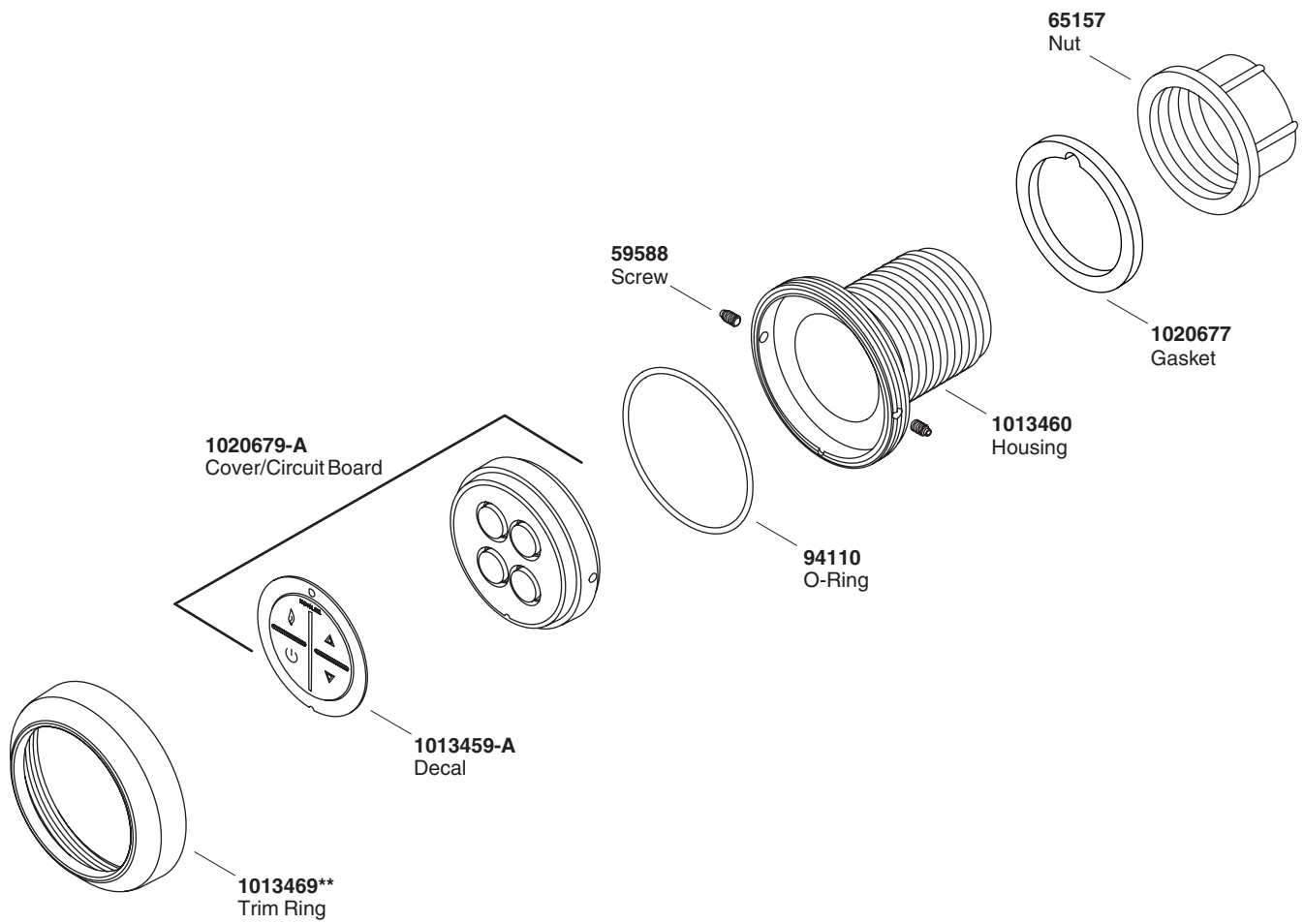
****Finish/color code must be specified when ordering.**



****Finish/color code must be specified when ordering.**



****Finish/color code must be specified when ordering.**



****Finish/color code must be specified when ordering.**

Guide du propriétaire

Baignoire à hydromassage

Renseignements importants

CONSIGNES RELATIVES AUX RISQUES D'INCENDIE, D'ÉLECTROCUTION OU DE BLESSURES CORPORELLES

LIRE ET SUIVRE TOUTES LES INSTRUCTIONS

CONSERVER CES INSTRUCTIONS



AVERTISSEMENT : Lors de l'utilisation des produits électriques, des précautions de base devraient toujours être observées, incluant ce qui suit:



DANGER : Risque de blessures corporelles. Afin de réduire les risques de blessures, ne jamais permettre à un enfant d'utiliser cet appareil sans surveillance.



AVERTISSEMENT : Risque de blessures corporelles. Pour éviter les blessures corporelles, entrer et sortir avec précaution de la baignoire à hydromassage.



AVERTISSEMENT : Risque d'électrocution. Ne pas raccorder d'appareils électriques (tels que sèche-cheveux, lampe, téléphone, radio ou télévisions) dans les 5' (1,5 m) de cette baignoire à hydromassage.



AVERTISSEMENT : Risque d'hyperthermie. Les personnes sous médicaments ou qui sont en observation médicale doivent consulter leur médecin avant d'utiliser des baignoires à hydromassage équipées de chauffe.

Utiliser cette baignoire à hydromassage uniquement pour un usage tel que décrit dans ce manuel. Ne pas utiliser des fixations non recommandées par le fabricant.

Ne jamais faire tomber ou insérer d'objet quelconque dans les ouvertures.

Ne pas utiliser cet appareil sans ses protecteurs (couvercles) sur ses raccords d'aspiration.

La baignoire à hydromassage doit être raccordée uniquement à une prise de terre, protégée par un disjoncteur différentiel (GFCI) ou un appareil de courant résiduel (RCD). De tels disjoncteurs GFCI ou RCD devraient être fournis par l'installateur et vérifiés régulièrement. Appuyer sur le bouton de test pour tester les disjoncteurs GFCI ou RCD. Le GFCI ou RCD devraient couper le courant. Appuyer sur le bouton de ré-initialisation. L'alimentation devrait être restituée. Si les disjoncteurs GFCI ou RCD ne fonctionnent pas de cette façon, l'un ou l'autre est défectueux. Si les disjoncteurs GFCI ou RCD stoppent l'alimentation électrique à la baignoire sans que le bouton test ne soit utilisé, il y a donc un court circuit indiquant la possibilité de choc électrique. Ne pas utiliser pas cette baignoire à hydromassage. Débrancher la baignoire à hydromassage et la faire réviser par un technicien qualifié avant son utilisation.



AVERTISSEMENT : La consommation d'alcool, de drogues ou de médicaments peuvent augmenter considérablement le risque fatal d'hyperthermie. Une immersion prolongée dans l'eau chaude peut provoquer l'hyperthermie. L'hyperthermie a lieu lorsque la température corporelle interne atteint plusieurs degrés au dessus de la température normale de 98.6° F (37°C). Les symptômes d'hyperthermie comprennent la hausse de la température corporelle, l'étourdissement, la léthargie, la somnolence et l'évanouissement. Les effets de l'hyperthermie comprennent: (a) défaut de percevoir la chaleur, (b) défaut de s'apercevoir du besoin de sortir de la baignoire, (c) incapacité de reconnaître le danger, (d) dommages au fœtus dans le cas des femmes enceintes, (e)

Renseignements importants (cont.)

incapacité physique de sortir de la baignoire et (f) inconscience et danger conséquent de noyade.

IMPORTANT ! Purger le système d'hydromassage deux fois par mois ou plus souvent selon la fréquence d'usage, tel que décrit dans la section "Purger le système d'hydromassage" de ce manuel.

Ne pas laisser la température de la baignoire à hydromassage excéder 104° F (40°C).

Ne pas laisser de petits objets tels que des jouets ou accessoires pour le bain dans la baignoire à hydromassage lorsqu'elle est en marche.

L'utilisation répétée de produits d'hygiène et de beauté contenant des huiles peut endommager les revêtements en plastique des composants de la baignoire à hydromassage. Ne pas utiliser de shampoings ou d'huiles de bains à bases végétales.

L'action de la baignoire à hydromassage peut considérablement faire mousser une quantité de produit moussant, même très petite, de savon, de shampoing ou d'huile pour le bain. Pour cette raison, nous vous conseillons de ne pas utiliser ces produits dans votre baignoire à hydromassage.

Sommaire

Renseignements importants	1
Merci d'avoir choisi la compagnie Kohler	2
Votre baignoire à hydromassage Kohler	2
Clavier de l'utilisateur et modes/fonctions de la baignoire à hydromassage	4
Télécommande optionnelle	4
Opérer votre baignoire à hydromassage	4
Entretien et nettoyage	5
Purger le système de baignoire d'hydromassage	5
Garantie limitée d'un an	5
Procédures de dépannage	7
Pièces de rechange	10

Merci d'avoir choisi la compagnie Kohler

Merci d'avoir choisi la compagnie Kohler. Votre produit de la compagnie Kohler reflète la véritable passion du design, d'artisanat, d'art et d'innovation représentant la compagnie Kohler. Nous sommes confiants que sa fiabilité et beauté surpasseront vos exigences les plus élevées, vous satisfaisant pendant les années à venir.

Toute information contenue dans ce guide est basée sur l'information la plus récente du produit disponible au moment de la publication. A la compagnie Kohler, nous aspirons à remplir notre mission d'améliorer le niveau de vie gracieux pour chaque individu affecté par nos produits et services. Nous nous réservons le droit d'apporter toutes modifications aux caractéristiques, emballages ou disponibilités des produits, et ceci à tout moment et sans préavis.

Veillez prendre s'il vous plaît quelques minutes pour étudier ce guide. Prêter une attention toute particulière aux instructions d'entretien et de nettoyage.

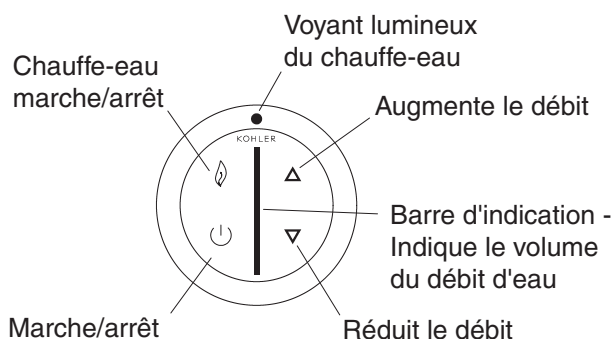
Votre baignoire à hydromassage Kohler

Votre nouvelle baignoire à hydromassage est conçue pour relaxer, stimuler, revigorer et tonifier votre corps. La baignoire à hydromassage consiste en les éléments suivants:

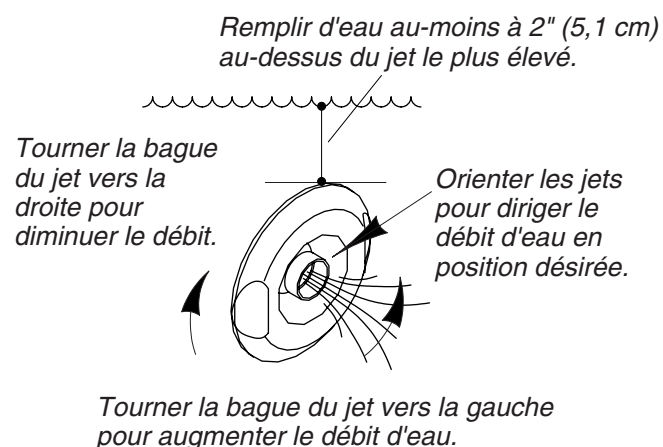
- **Baignoire** - Agit comme un réservoir d'eau, et fournit un espace pour l'action d'hydromassage.
- **Clavier de l'utilisateur** - Localisé à portée de main, le clavier permet d'arrêter ou de démarrer le système d'hydromassage et le chauffeau ainsi que de régulariser le débit d'eau dans les jets.
- **Moteur de pompe** - Silencieux et à vitesse variable, pour faire circuler l'eau et créer l'action relaxante d'hydromassage.
- **Jets réglables** - Positionnés de manière stratégique pour optimiser l'effet d'hydromassage, ils permettent d'ajuster le débit d'air et d'eau, ainsi que de contrôler la direction du jet selon le désir.

Votre baignoire à hydromassage Kohler (cont.)

- **Chauffe-eau** - Conçu pour aider à maintenir automatiquement la température de l'eau jusqu'à 104°F (40°C) et pour améliorer votre expérience de bain à hydromassage. Le chauffe-eau s'active automatiquement lorsque la baignoire à hydromassage est en service, et s'éteint lorsque le moteur de la pompe est arrêté. Le chauffe-eau peut être arrêté par le clavier de commande et à tout moment quand la pompe est en fonction.



Clavier de l'utilisateur illuminé



Clavier de l'utilisateur et modes/fonctions de la baignoire à hydromassage

- **Alimentation** - Met les pompes de la baignoire à hydromassage en marche et arrêt.
- **Flèche haut** - Augmente le débit d'eau.
- **Flèche bas** - Réduit le débit d'eau.
- **Chauffe-eau** - Le chauffe-eau s'active automatiquement lorsque la baignoire à hydromassage est mise en service. Vous pouvez arrêter le chauffe-eau en appuyant sur son bouton. Appuyer une deuxième fois sur le bouton pour redémarrer le chauffe-eau.
- **Barre indicatrice** - Indique le volume du débit d'eau.

Télécommande optionnelle

Si vous avez acheté une télécommande, veuillez consulter le guide du propriétaire emballé avec la télécommande pour une information détaillée.

Opérer votre baignoire à hydromassage

- Tourner complètement la bague du jet vers la gauche. Orienter les jets vers le fond du bassin.

REMARQUE : La température de la baignoire à hydromassage ne doit pas excéder 104°F (40°C). Un chauffe-eau encastré maintient automatiquement la température d'eau quand la baignoire à hydromassage est en marche, et tant que la température d'eau ne dépasse pas 104°F (40° C). Le chauffe-eau s'arrêtera aux températures plus hautes.

- Fermer le drain, et remplir la baignoire à hydromassage à un niveau d'eau au moins 2" (5,1 cm) au-dessus du jet le plus élevé. Tester la température de l'eau avec votre main, puis entrer dans la baignoire doucement.
- Appuyer sur le bouton de marche pour démarrer la baignoire à hydromassage. La baignoire à hydromassage commencera à opérer à débit moyen. Le chauffe-eau démarrera et son voyant lumineux s'allumera.
- Augmenter ou diminuer le débit de l'eau en pressant sur les flèches du clavier. Une barre d'indication située au centre du clavier indique le volume du débit d'eau.
- Ajuster les jets pour un mélange optimal de l'eau et de l'air. Tourner la bague du jet vers la droite pour réduire le débit, ou vers la gauche l'augmenter. Orienter les jets pour diriger le débit d'eau vers la direction désirée pour optimiser l'action d'hydromassage.
- Le chauffe-eau s'active automatiquement lorsque la baignoire à hydromassage est en service, et s'éteint lorsque le moteur de la pompe est arrêté. Le chauffe-eau peut être arrêté par le clavier et à tout moment quand la pompe est en fonction.

Opérer votre baignoire à hydromassage (cont.)

- Appuyer une deuxième fois pour arrêter la baignoire à hydromassage.

REMARQUE : Votre baignoire à hydromassage s'arrêtera automatiquement après environ 20 minutes de fonctionnement. Vous pouvez redémarrer la baignoire à hydromassage, si désiré, en appuyant sur le bouton de mise en marche.

- Sortir doucement de la baignoire à hydromassage, et ouvrir le drain pour la vider.

REMARQUE : Consulter la section "Dépannage" de ce manuel avant d'appeler un représentant en service qualifié.

Entretien et nettoyage

Pour de meilleurs résultats, prendre ce qui suit en considération lors de l'entretien de votre produit KOHLER:

- Utiliser un détergent doux tel que liquide pour vaisselle et de l'eau chaude pour nettoyer. Ne pas utiliser de nettoyeurs abrasifs car ils pourraient rayer ou abîmer la surface.
- Lire attentivement l'étiquette du produit de nettoyage pour vérifier qu'il soit adéquat à utiliser sur le matériau.
- Toujours tester la solution de nettoyage sur une surface la moins évidente avant de l'appliquer sur la totalité de la surface.
- Ne pas permettre aux nettoyeurs de reposer sur la surface.
- Essuyer les surfaces et rincer complètement avec de l'eau immédiatement après l'application du nettoyeur. Rincer et sécher tout éclaboussement sur les surfaces avoisinantes.
- Utiliser une éponge ou un chiffon doux et humide. Ne jamais utiliser de matériau abrasif tel que brosse ou éponges à récurer pour nettoyer les surfaces.

Pour l'information détaillée de nettoyage et des produits à considérer, visiter www.kohler.com/clean. Pour commander des informations d'entretien et de nettoyage, composer le 1-800-456-4537 puis presser 1 pour les produits Kohler et 3 pour littérature.

Purger le système de baignoire d'hydromassage

- Purger le système d'hydromassage deux fois par mois ou plus, selon la fréquence d'utilisation. Suivre la séquence suivante:
 - Tourner les bagues de garniture du jet complètement vers la droite pour supprimer l'injection de l'air.
 - Remplir la baignoire à hydromassage avec de l'eau chaude à un niveau d'au moins 2" (5,1 cm) au-dessus des jets les plus élevés, ou laisser l'eau dans la baignoire à hydromassage après l'usage.
 - Ajouter à l'eau 2 cuillères à soupe (30 ml) d'un détergent pour lave-vaisselle peu moussant et 20 onces (590 ml) d'eau de javel (5% - 6% d'hypochlorite de sodium).
 - Faire fonctionner la baignoire à hydromassage pendant 5 à 10 minutes. Arrêter la baignoire à hydromassage et purger.
 - Si désiré, rincer les surfaces de la baignoire avec de l'eau.
 - Rincer les surfaces des jets, le robinet, les barres d'appuis, le drain, etc. et sécher avec un chiffon doux.

Garantie limitée d'un an

Les produits de plomberie KOHLER sont garantis contre tout défaut matériel et de fabrication pour un an, à partir de la date de l'installation.

Kohler Co. jugera à sa discrétion, de la réparation, du remplacement ou du réglage approprié et ceci après toute inspection faite par Kohler Co. de tous défauts dus à une utilisation normale et ceci pendant un (1) an à partir de la date d'installation. Kohler Co. n'est pas responsable des coûts de démontage ou d'installation. L'utilisation de nettoyeurs à l'intérieur du réservoir annulera la garantie.

Garantie limitée d'un an (cont.)

Pour obtenir un service-garantie, contacter Kohler Co. par l'intermédiaire de votre vendeur, plombier, centre de rénovation, revendeur par internet ou par écrit à Kohler Co. à l'attention de: Département du service clientèle, 444 Highland Drive, Kohler, Wisconsin 53044, USA, ou en composant le 1-800-4-KOHLER à partir des É.U., le 1-800-964-5590 à partir du Canada É. et le 001-877-680-1310 depuis le Mexique.

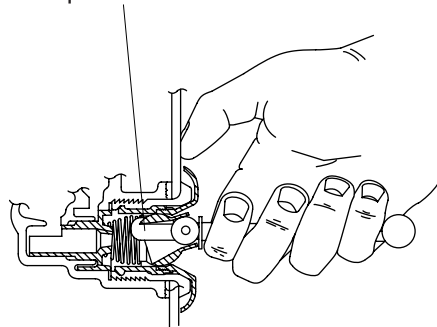
Les garanties implicites, y compris celles de qualité marchande et d'aptitude à un emploi particulier, se limitent expressément à la durée de la présente garantie. Kohler Co. et/ou le vendeur déclinent toutes responsabilités contre tous dommages occasionnés, imprévisibles ou corrélatifs.

Certains états/provinces ne permettent pas la limitation sur la durée de la garantie, ou l'exclusion ou la limitation spéciale, de dommages occasionnés, ou corrélatifs à un accident, ainsi ces limitations ou exclusions pourraient ne pas s'appliquer dans votre cas. Cette garantie vous donne des droits légaux spécifiques. Vous pouvez également avoir d'autres droits qui varient d'un état/province à l'autre.

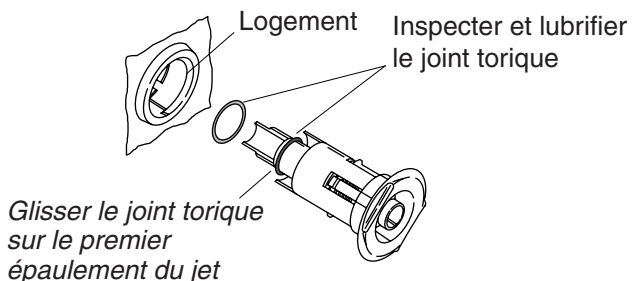
Ceci constitue la garantie écrite exclusive de Kohler Co.

Retirer les jets

Insérer l'outil en crochet comme indiqué, et retirer le jet hors de son logement. Le gicleur devrait être vers le haut quand cela sera terminé.



Réinstaller les jets



Insérer le jet dans son logement, tourner et pousser doucement jusqu'à ce qu'il s'enclenche en position

Procédures de dépannage

Retirer les jets

REMARQUE : Un outil spécial est fourni avec les jets pour permettre de les retirer de la baignoire à hydromassage. Cet outil est aussi fourni avec chaque kit de garniture.

- Positionner le jet de façon à ce qu'il pointe vers le haut.

REMARQUE : Le gicleur doit rester pointé vers le haut pour que l'outil ne glisse pas.

- Insérer l'outil d'extraction, avec son côté crochet vers le haut dans l'ouverture du jet et accrocher la partie supérieure du gicleur.
- Tenir l'outil fermement et placer le pouce contre le mur de la baignoire à hydromassage. Tirer avec force sur l'outil jusqu'à ce que l'ensemble du jet sorte du trou. Faire attention à ne pas perdre le joint torique.

Réinstaller les jets

REMARQUE : Le joint torique doit être positionné correctement, il doit être en bon état et lubrifié correctement afin d'assurer la rotation et le bon fonctionnement du jet.

- Installer le joint torique sur le **premier rebord** du jet. Lubrifier le joint torique avec de la silicone de lubrification afin d'éviter le fonctionnement bruyant du jet.
- Insérer délicatement le jet dans le logement, puis pousser et pivoter légèrement jusqu'à ce qu'il s'enclenche en place. **Ne pas forcer le jet.**

REMARQUE : Lorsqu'il est bien installé, le jet devrait pivoter aisément dans les deux sens.

Guide de dépannage

Ce guide de dépannage est seulement destiné à une aide générale. Seul un agent agréé de Kohler ou un électricien qualifié devrait corriger tous les problèmes électriques. Pour une réparation sous garantie, contacter le vendeur ou distributeur.

Dépannage du système d'hydromassage

Symptômes	Causes probables	Action recommandée
1. Le clavier ne s'illumine pas quand le bouton est pressé ou quand la bague extérieure est tournée.	A. Pas d'alimentation au contrôle.	A. Vérifier le câblage et connecter l'alimentation électrique. Si le problème persiste, contacter l'installateur/revendeur.

Procédures de dépannage (cont.)

Dépannage du système d'hydromassage

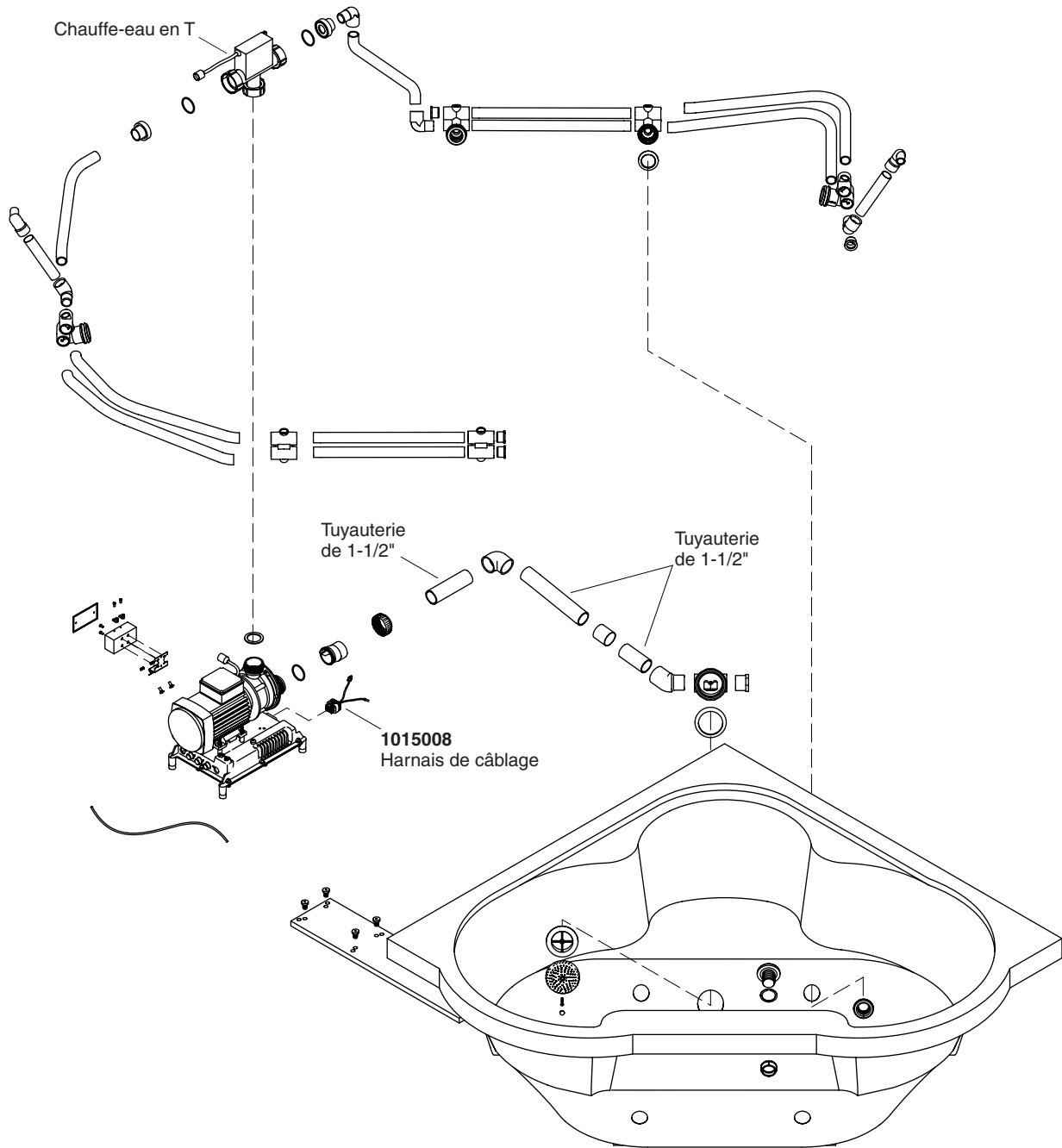
Symptômes	Causes probables	Action recommandée
	<p>B. Le disjoncteur GFCI ou RCD est déclenché.</p> <p>C. Le harnais du câblage du clavier est desserré, débranché ou endommagé.</p> <p>D. Le clavier ne fonctionne pas.</p> <p>E. Le contrôle ne fonctionne pas.</p>	<p>B. Réinitialiser le GFCI ou le RCD.</p> <p>C. Vérifier que les connexions du câblage soient correctes. Remplacer le harnais du câblage si nécessaire. Contacter l'installateur/vendeur.</p> <p>D. Remplacer le clavier. Contacter l'installateur/vendeur.</p> <p>E. Remplacer le contrôle. Contacter l'installateur/vendeur.</p>
2. Le moteur démarre, mais tous les jets ne fonctionnent pas.	<p>A. Le jet est fermé.</p> <p>B. Le jet n'est pas installé correctement.</p> <p>C. Les jets sont bloqués.</p>	<p>A. Tourner la bague du jet vers la gauche pour l'ouvrir.</p> <p>B. Réinstaller le jet; s'assurer que le joint torique ne soit pas endommagé.</p> <p>C. Retirer l'obstruction.</p>
3. Le clavier est illuminé mais, ne répond pas aux boutons ou à l'anneau.	<p>A. Le programme de contrôle est verrouillé.</p> <p>B. Le harnais du câblage du clavier est desserré, débranché ou endommagé.</p> <p>C. Le clavier ne fonctionne pas.</p> <p>D. Le contrôle ne fonctionne pas.</p>	<p>A. Réinitialiser le GFCI ou le RCD.</p> <p>B. Vérifier que les connexions du câblage soient correctes. Remplacer le harnais du câblage si nécessaire. Contacter l'installateur/vendeur.</p> <p>C. Remplacer le clavier. Contacter l'installateur/vendeur.</p> <p>D. Remplacer le contrôle. Contacter l'installateur/vendeur.</p>
4. La barre d'indication du clavier continue le balayage au démarrage.	<p>A. Le programme de contrôle est verrouillé.</p> <p>B. Le harnais du câblage du clavier est desserré, débranché ou endommagé.</p> <p>C. Le clavier ne fonctionne pas.</p> <p>D. Le contrôle ne fonctionne pas.</p>	<p>A. Réinitialiser le GFCI ou le RCD.</p> <p>B. Vérifier que les connexions du câblage soient correctes. Remplacer le harnais du câblage si nécessaire. Contacter l'installateur/vendeur.</p> <p>C. Remplacer le clavier. Contacter l'installateur/vendeur.</p> <p>D. Remplacer le contrôle. Contacter l'installateur/vendeur.</p>
5. Le clavier est illuminé, mais la pompe ne démarrera pas.	<p>A. Le câble d'alimentation de la pompe est desserré, déconnecté ou endommagé.</p> <p>B. La pompe ne fonctionne pas.</p> <p>C. Le contrôle ne fonctionne pas.</p>	<p>A. Vérifier que les connexions du câblage soient correctes. Si le problème persiste, contacter l'installateur/revendeur.</p> <p>B. Remplacer la pompe. Contacter l'installateur/vendeur.</p> <p>C. Remplacer le contrôle. Contacter l'installateur/vendeur.</p>
6. Le moteur fonctionne mais la pompe ne démarrera pas (cavitante).	<p>A. La pompe est trop élevée.</p> <p>B. Petite fuite d'air à l'entrée de la pompe.</p> <p>C. Le moteur/la pompe ne fonctionne pas.</p> <p>D. Le contrôle ne fonctionne pas.</p>	<p>A. Baisser la pompe/contrôle au niveau du plancher.</p> <p>B. Serrer soigneusement le(s) écrou(s) des tuyaux de l'admission de la pompe.</p> <p>C. Remplacer le moteur/la pompe. Contacter l'installateur/vendeur.</p> <p>D. Remplacer le contrôle. Contacter l'installateur/vendeur.</p>

Procédures de dépannage (cont.)

Dépannage du système d'hydromassage

Symptômes	Causes probables	Action recommandée
7. La pompe s'arrête automatiquement avant 18 minutes.	<p>A. Les disjoncteurs GFCI ou RCD se déclenchent.</p> <p>B. L'aspiration est bloquée.</p> <p>C. Les jets sont bloqués.</p> <p>D. Moteur surchauffé et système de protection activé.</p>	<p>A. Identifier la source du problème puis y remédier. Réinitialiser le GFCI ou le RCD.</p> <p>B. Retirer l'obstruction.</p> <p>C. Retirer l'obstruction.</p> <p>D. Vérifier s'il y a un blocage à l'aspiration et/ou aux jets. Retirer l'obstruction et laisser refroidir le moteur.</p>
8. La pompe ne s'arrête pas automatiquement après 22 minutes.	<p>A. La minuterie de 20 minutes s'arrête par inadvertance.</p>	<p>A. Consulter le manuel de service.</p>
9. La pompe ne s'arrêtera pas quand le bouton de marche du clavier est pressé.	<p>A. Le clavier ne fonctionne pas.</p> <p>B. Le contrôle ne fonctionne pas.</p>	<p>A. Remplacer le clavier. Contacter l'installateur/vendeur.</p> <p>B. Remplacer le contrôle. Contacter l'installateur/vendeur.</p>
10. La pompe fonctionne, mais la fonction de vitesse variable ne fonctionne pas.	<p>A. Le moteur/la pompe ne fonctionne pas.</p> <p>B. Le contrôle ne fonctionne pas.</p>	<p>A. Remplacer le moteur/la pompe. Contacter l'installateur/vendeur.</p> <p>B. Remplacer le contrôle. Contacter l'installateur/vendeur.</p>
11. L'eau de la baignoire se refroidit pendant l'opération de la pompe.	<p>A. La température de l'eau est au dessus de 104°F (40°C).</p> <p>B. Le chauffe-eau est arrêté par le clavier.</p> <p>C. Le câblage du chauffe-eau au contrôle est desserré, débranché ou endommagé.</p> <p>D. Le chauffe-eau ne fonctionne pas.</p> <p>E. Le contrôle ne fonctionne pas.</p>	<p>A. Laisser l'eau du bain refroidir.</p> <p>B. Mettre le chauffe-eau en marche.</p> <p>C. Vérifier que les connexions du câblage soient correctes. Contacter l'installateur/vendeur.</p> <p>D. Remplacer le chauffe-eau. Contacter l'installateur/vendeur.</p> <p>E. Remplacer le contrôle. Contacter l'installateur/vendeur.</p>
12. Fonctionnement bruyant.	<p>A. Les sangles de retenue de la pompe n'ont pas été coupées.</p> <p>B. Joint torique sec ou délogé (crissement).</p>	<p>A. Couper les sangles de retenue avec des cisailles de ferblantier.</p> <p>B. Retirer le jet, remplacer et lubrifier le joint torique, et réinstaller le jet.</p>
13. La télécommande (si équipé) ne fonctionne pas.	<p>A. Les piles sont mal installées ou épuisées.</p> <p>B. L'antenne du câblage électrique est endommagée.</p> <p>C. La télécommande n'est pas correctement programmée.</p> <p>D. La télécommande ne fonctionne pas.</p> <p>E. Le contrôle ne fonctionne pas.</p>	<p>A. Remplacer les piles.</p> <p>B. Remplacer le harnais de câblage électrique. Contacter l'installateur/vendeur.</p> <p>C. Voir le guide du propriétaire ou le manuel de service de la télécommande.</p> <p>D. Remplacer la télécommande.</p> <p>E. Remplacer le contrôle. Contacter l'installateur/vendeur.</p>

***Remarque:** Toute la tuyauterie de 1" à moins qu'indiqué autrement.



****Vous devez spécifier les codes de la finition et/ou de la couleur quand vous passez votre commande.**

Pièces de rechange

1003065
Outil d'extraction de la
bride d'aspiration



73518
Bouchon



93685
Logement



96708
Bride



65886 (Acrylique et FRP)
60050 (Fonte)
Joint d'étanchéité

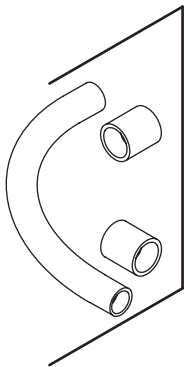
65054**
Vis



96895** (Finitions colorées)
65061** (Finitions métalliques)
Couvercle



65226**
Capuchon de la vis du
couvercle d'aspiration



93836 (1/2")
93837 (3/4")
93838 (1")
93839 (1-1/4")
94853 (1-1/2")
Tuyau (avec raccords)

91967
Clapet de
retenue



94469
Outil d'extraction
de la bride



67665
Bouchon

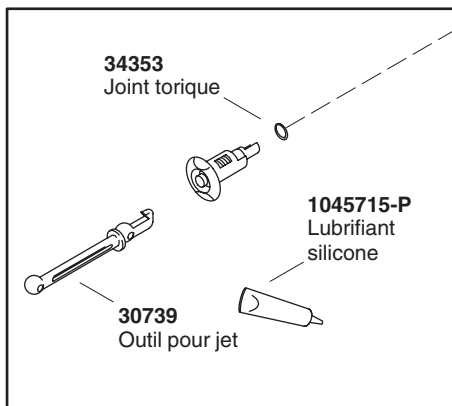


67429
Bride



67889
Logement du jet

65885 (Acrylique et FRP)
67668 (Fonte)
Joint d'étanchéité



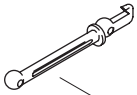
34353
Joint torique



1045715-P
Lubrifiant
silicone



30739
Outil pour jet



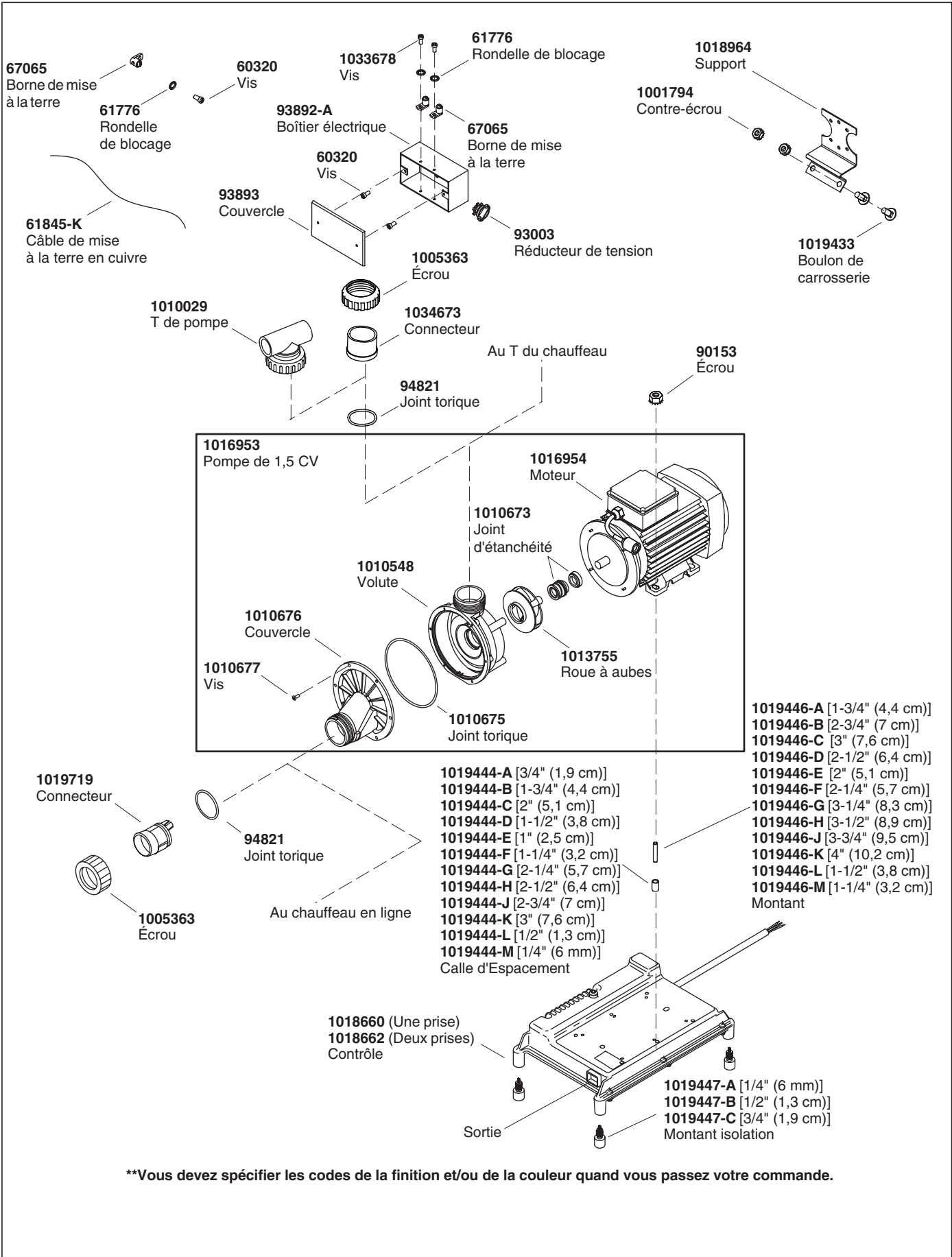
**Jet unique pour baignoire à hydromassage
avec 5 jets ou moins**

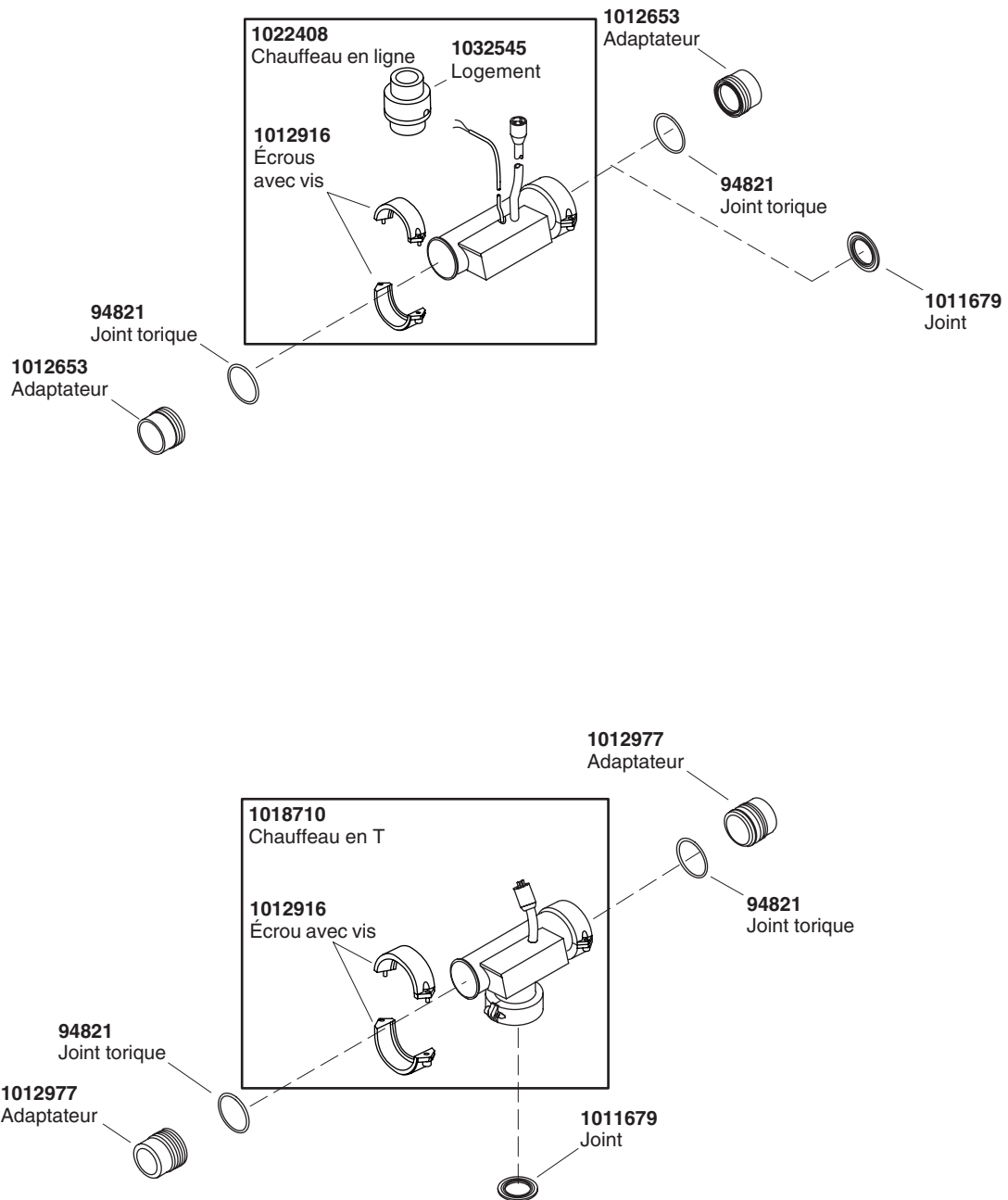
88532** (Finitions colorées)
88531** (Finitions métalliques)
Jet

**Jet unique pour baignoire à hydromassage
avec 6 jets ou plus**

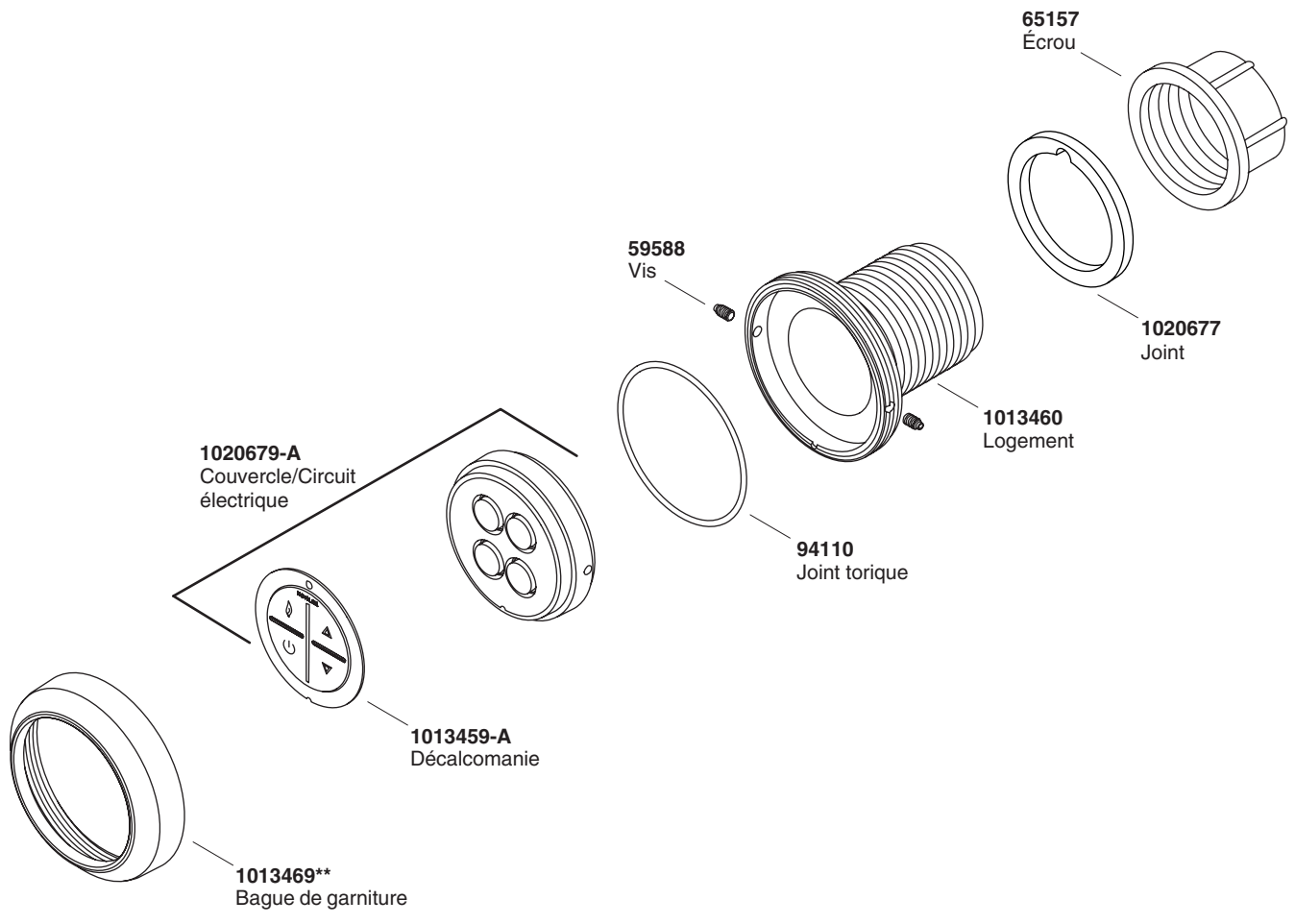
88530** (Finitions colorées)
88529** (Finitions métalliques)
Jet

****Vous devez spécifier les codes de la finition et/ou de la couleur quand vous passez votre commande.**





****Vous devez spécifier les codes de la finition et/ou de la couleur quand vous passez votre commande.**



****Vous devez spécifier les codes de la finition et/ou de la couleur quand vous passez votre commande.**

Guía del usuario

Bañera de hidromasaje

Información importante

INSTRUCCIONES RELATIVAS AL RIESGO DE INCENDIO, DESCARGA ELÉCTRICA O LESIONES PERSONALES

LEA Y SIGA TODAS LAS INSTRUCCIONES

GUARDE ESTAS INSTRUCCIONES



ADVERTENCIA: Al usar aparatos eléctricos, siga siempre las precauciones básicas, incluyendo las siguientes:



PELIGRO: Riesgo de lesiones personales. Para reducir el riesgo de lesiones, no permita que los niños usen este producto sin la estricta supervisión en todo momento.



ADVERTENCIA: Riesgo de lesiones personales. Para evitar lesiones, tenga cuidado al entrar y salir de la bañera de hidromasaje.



ADVERTENCIA: Riesgo de descarga eléctrica. No coloque aparatos eléctricos (como secador de pelo, lámparas, teléfono, radio o televisión) a menos de 5' (1,5 m) de esta bañera de hidromasaje.



ADVERTENCIA: Riesgo de hipertermia. Las personas bajo tratamiento médico o que padezcan de alguna condición médica deben consultar con un médico antes de utilizar una bañera de hidromasaje equipada con un calentador.

Use esta bañera de hidromasaje únicamente con el fin para el que se ha fabricado, tal como se explica en este manual. No utilice accesorios que no estén recomendados por el fabricante.

No deje caer ni introduzca objetos en ninguna de las aberturas.

No permita que esta unidad funcione sin la tapa protectora (tapadera) en la conexión de succión.

La bañera de hidromasaje debe conectarse solamente a un circuito protegido con un interruptor de circuito con pérdida a tierra (GFCI) o por un dispositivo de corriente residual (RCD). El instalador debe proveer el interruptor de protección GFCI o RCD, cuyo funcionamiento debe probarse de manera rutinaria. Para probar el interruptor de protección GFCI o RCD, oprima el botón de prueba (test). El interruptor de protección GFCI o RCD debe interrumpir la alimentación eléctrica. Oprima el botón (reset) de restablecer la alimentación eléctrica. Esto debe restablecer la alimentación eléctrica. Si el interruptor de protección GFCI o RCD no funciona de este modo, significa que está averiado. Si el interruptor de protección GFCI o RCD, interrumpe la alimentación eléctrica a la bañera sin haber oprimido el botón de prueba, significa que existe corriente a tierra y la posibilidad de una descarga eléctrica. No utilice esta bañera de hidromasaje. Desconecte la bañera de hidromasaje, y antes de usarla, haga que un representante de servicio autorizado solucione el problema.



ADVERTENCIA: El uso de alcohol, drogas o medicamentos puede aumentar enormemente el riesgo de sufrir hipertermia fatal. La inmersión prolongada en agua caliente puede producir hipertermia. La hipertermia ocurre cuando la temperatura interna del cuerpo alcanza un nivel superior a la temperatura corporal normal de 98,6°F (37°C). Los síntomas de la hipertermia incluyen el aumento de la temperatura corporal interna, mareos, letargo, somnolencia y desfallecimiento. Los efectos de la hipertermia incluyen: (a) incapacidad para percibir calor, (b) incapacidad para reconocer la necesidad de salir de la bañera, (c) inconsciencia de un peligro inminente, (d) daño al

Información importante (cont.)

feto en mujeres embarazadas, (e) inhabilidad física para salir de la bañera y (f) pérdida del conocimiento con peligro de ahogarse.

¡IMPORTANTE! Limpie el sistema de hidromasaje dos o más veces al mes, dependiendo del uso, tal como se describe en la sección "Limpieza del sistema de hidromasaje" de este manual.

La temperatura del agua en la bañera no debe exceder los 104°F (40°C).

Mantenga los objetos pequeños tales como los juguetes y accesorios de baño fuera de la bañera de hidromasaje cuando esté en funcionamiento.

El uso constante de productos de higiene personal que contengan aceites puede dañar los componentes plásticos de la bañera de hidromasaje. No utilice champú a base de productos vegetales ni aceites de baño.

La acción del hidromasaje puede hacer que una pequeña cantidad de líquidos para hacer burbujas, champú, jabón o aceite de baño espume en exceso. Por esta razón, no utilice estos productos durante el funcionamiento de la bañera de hidromasaje.

Contenido

Información importante	1
Gracias por elegir los productos de Kohler	2
Su bañera de hidromasaje de Kohler	2
Modos/funciones del teclado y bañera de hidromasaje	4
Control remoto opcional	4
Funcionamiento de su bañera de hidromasaje	4
Cuidado y limpieza	5
Limpieza del sistema de su bañera de hidromasaje	5
Garantía limitada de un año	5
Garantía de un año	6
Procedimientos para resolver problemas	8
Piezas de repuesto	11

Gracias por elegir los productos de Kohler

Gracias por elegir los productos de Kohler. Su producto de Kohler Company refleja la verdadera pasión por el diseño, la mano de obra, la artesanía y la innovación que forman parte de Kohler Company. Estamos seguros que su confiabilidad y belleza excederán sus más altas expectativas, dándole satisfacción por años.

Toda la información que aparece en la guía está basada en la información más reciente disponible al momento de publicación. En Kohler Company, nos esforzamos por alcanzar nuestra misión de mejorar el nivel del buen vivir de quienes disfrutan de nuestros productos y servicios. Nos reservamos el derecho de efectuar cambios en las características, embalaje o disponibilidad del producto en cualquier momento, sin previo aviso.

Dedique unos minutos para leer esta guía. Preste especial atención a las instrucciones de cuidado y limpieza.

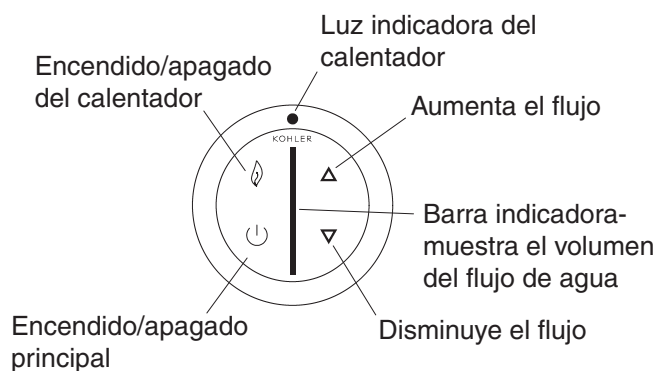
Su bañera de hidromasaje de Kohler

Su nueva bañera de hidromasaje está diseñada para estimular, vigorizar y dar energía a su cuerpo con una terapia de hidromasaje reconfortante. La bañera de hidromasaje consta de los siguientes componentes:

- **Bañera** - Actúa como un depósito de agua y es el lugar de acción del hidromasaje.
- **Teclado** - El teclado, de fácil alcance, le permite encender y apagar la bañera de hidromasaje y el calentador, así como regular el flujo de agua a través de los jets.
- **Motor bomba** - Provee potencia de velocidad variable y silenciosa para circular el agua y crear la acción calmante del hidromasaje.

Su bañera de hidromasaje de Kohler (cont.)

- **Jets ajustables** - Colocados de manera que optimizan el efecto del hidromasaje, los jets le permiten ajustar el flujo de aire y agua, así como controlar la dirección del flujo como usted lo desee.
- **Calentador** - Diseñado para ayudar a mantener automáticamente la temperatura del agua en hasta 104°F (40°C) para aumentar el placer de la experiencia del hidromasaje. El calentador se enciende automáticamente cuando la bañera de hidromasaje está en funcionamiento y se apaga cuando el motor bomba se apaga. El calentador se puede apagar con el teclado en cualquier momento mientras la bomba esté funcionando.



Teclado iluminado



Modos/funciones del teclado y bañera de hidromasaje

- **Encendido/Apagado principal** - Enciende y apaga la bomba de la bañera de hidromasaje.
- **Flecha hacia arriba** - Aumenta el flujo de agua.
- **Flecha hacia abajo** - Disminuye el flujo de agua.
- **Calentador** - El calentador se activa automáticamente cuando la bañera de hidromasaje está encendida. El calentador se puede apagar oprimiendo el botón del calentador. Oprima el botón por segunda vez para volver a encender el calentador.
- **Barra indicadora** - Muestra el caudal del flujo de agua.

Control remoto opcional

Si ha adquirido el control remoto, consulte la Guía del usuario incluida con el control remoto para obtener las instrucciones detalladas.

Funcionamiento de su bañera de hidromasaje

- Gire la guarnición del jet totalmente hacia la izquierda. Coloque las boquillas de los jets de manera que miren hacia abajo en la bañera.

NOTA: La temperatura del agua en la bañera de hidromasaje nunca debe exceder de 104°F (40°C). El calentador integrado mantiene automáticamente la temperatura del agua mientras la bañera esté en funcionamiento, siempre y cuando la temperatura no sobrepase los 104°F (40°C). El calentador se apagará a temperaturas superiores.

- Cierre el desagüe y llene la bañera de hidromasaje al menos 2" (5,1 cm) por encima del jet más alto. Pruebe la temperatura del agua con la mano para su confort y seguridad, luego entre con cuidado en la bañera.
- Oprima el botón de encendido/apagado principal para encender la bañera de hidromasaje. La bañera de hidromasaje comenzará a funcionar con un caudal de agua medio. El calentador también se encenderá y el icono del calentador se iluminará.
- En el teclado, oprima las flechas hacia arriba o hacia abajo para aumentar o disminuir el flujo de agua. La barra indicadora en el centro del teclado muestra el caudal del flujo de agua.
- Ajuste los jets para obtener una mezcla óptima de aire/agua. Gire la guarnición del jet hacia la derecha para reducir el flujo y hacia la izquierda para aumentarlo. Oriente las boquillas de los jets en la dirección deseada para aprovechar al máximo la experiencia del hidromasaje.

Funcionamiento de su bañera de hidromasaje (cont.)

- El calentador se enciende automáticamente cuando la bañera de hidromasaje está en funcionamiento y se apaga cuando el motor bomba se apaga. El calentador se puede apagar con el teclado en cualquier momento mientras la bomba esté funcionando.
- Vuelva a oprimir el botón de encendido/apagado para apagar la bañera de hidromasaje.

NOTA: La bañera de hidromasaje se apagará automáticamente tras 20 minutos de funcionamiento continuo. Si lo desea, puede volver a encender la bañera de hidromasaje oprimiendo el botón de encendido/apagado.

- Salga con cuidado de la bañera y abra el desagüe para vaciar la bañera de hidromasaje.

NOTA: Antes de llamar a un representante de servicio calificado, consulte la sección "Procedimiento para resolver problemas" de este manual.

Cuidado y limpieza

Para obtener los mejores resultados, tenga presente lo siguiente al limpiar su producto KOHLER:

- Para la limpieza, utilice solamente un detergente suave como el jabón líquido para lavar platos y agua tibia. No utilice limpiadores abrasivos que puedan rayar u opacar la superficie.
- Lea atentamente la etiqueta del producto de limpieza para asegurar que no presente riesgos al usarse en el material.
- Siempre pruebe la solución de limpieza en un área oculta antes de aplicarla a toda la superficie.
- No deje por tiempo prolongado los limpiadores en la superficie.
- Limpie con un trapo y enjuague completa e inmediatamente con agua después de aplicar limpiadores. Enjuague y seque las superficies cercanas que se hayan rociado.
- Utilice una esponja o trapo suave y húmedo. Nunca utilice materiales abrasivos como cepillos o estropajos de tallar para limpiar las superficies.

Para obtener información detallada de limpieza y los limpiadores a considerar, visite www.kohler.com/clean. Para solicitar información sobre el cuidado y la limpieza, llame al 1-800-456-4537 y presione 1 para productos Kohler y luego 3 para documentos.

Limpieza del sistema de su bañera de hidromasaje

- Limpie el sistema de hidromasaje dos o más veces al mes, dependiendo del uso. Utilice la secuencia que sigue:
 - Gire los anillos decorativos de los jets totalmente hacia la derecha para eliminar la inducción de aire.
 - Llene la bañera con agua tibia hasta que sobrepase 2" (5,1 cm) como mínimo por encima de los jets más altos o deje agua en la bañera cuando termine de usarla.
 - Añada al agua 2 cucharadas (30 ml) de detergente para lavaplatos que espume poco y 20 onzas (590 ml) de cloro (lejía) para uso doméstico (5% - 6% hipoclorito sódico).
 - Haga funcionar la bañera de hidromasaje de 5 a 10 minutos. Luego, apague y vacíe la bañera.
 - Si lo desea, enjuague las superficies de la bañera con agua.
 - Enjuague las superficies de los jets, la grifería, las agarraderas, el desagüe, etc. y seque con un paño suave.

Garantía limitada de un año

Se garantiza que los productos de plomería KOHLER están libres de defectos de material y mano de obra por un año a partir de la fecha de instalación.

Kohler Co., a su criterio, reparará, reemplazará o realizará los ajustes pertinentes en los casos en que la inspección realizada por Kohler Co. determine que dichos defectos ocurrieron durante el uso normal en el transcurso de un (1) año a partir de la fecha de la instalación. Kohler Co. no se hace responsable de los gastos de desinstalación o instalación. El uso de limpiadores de inodoro que se colocan dentro del tanque anulará la garantía.

Garantía limitada de un año (cont.)

Para obtener el servicio de garantía, comuníquese con Kohler Co. a través de su distribuidor, contratista de plomería o distribuidor a través de Internet, o escriba directamente a: Kohler Co., Attn.: Customer Service Department, 444 Highland Drive, Kohler, WI 53044, USA, o llame al 1-800-4-KOHLER desde los Estados Unidos, al 1-800-964-5590 desde Canadá, o al 001-877-680-1310 desde México.

Toda garantía implícita en relación a productos de uso comercial, incluyendo la comercialización e idoneidad del producto para un uso determinado, se limita expresamente a la duración de la presente garantía. Kohler Co. y/o el vendedor no se hacen responsables por concepto de daños particulares, incidentales o indirectos.

Algunos estados/provincias no permiten limitaciones en cuanto a la duración de una garantía implícita o a la exclusión o limitación de daños particulares, incidentales o indirectos, por lo que estas limitaciones y exclusiones pueden no aplicar a su caso. Esta garantía le otorga ciertos derechos legales específicos. Además, usted puede tener otros derechos que varían de estado a estado y provincia a provincia.

El presente documento constituye la garantía exclusiva por escrito de Kohler Co.

Garantía de un año

KOHLER CO.

Al adquirir el producto, se recomienda verificar que todos los accesorios y componentes estén completos en la caja.

Kohler Co. garantiza que el material y la mano de obra de este producto están libres de defectos, por un (1) año, a partir de la fecha de compra que aparece en la factura o recibo.

1. Kohler Co. prestará servicio únicamente a los productos comercializados a través de sus distribuidores autorizados.
2. A fin de obtener el servicio de garantía, favor de presentar la factura de compra y la garantía correspondiente.
3. Kohler Co., a través de sus distribuidores autorizados, se compromete a reparar el producto defectuoso o a reemplazarlo por uno nuevo o equivalente (en caso de que el producto esté descontinuado) cuando no sea posible la reparación, sin ningún cargo al consumidor.
4. El tiempo de reparación no excederá de seis (6) semanas, a partir de la fecha de recepción del producto.
5. Se recomienda al consumidor que conserve el recibo o factura de compra como protección adicional, pues el mismo puede sustituir a la garantía, en caso de que exista discrepancia en cuanto a la validez de la misma.

EXCEPCIONES Y RESTRICCIONES

La garantía no tendrá validez en los siguientes casos:

1. Cuando el producto no se haya utilizado conforme a las instrucciones de uso y funcionamiento incluidas en el manual del usuario o en las instrucciones de instalación y cuando no se hayan observado las recomendaciones y advertencias allí contenidas.
2. Cuando el producto se haya modificado o desmantelado parcial o totalmente; o manipulado de manera negligente y, como consecuencia, haya sufrido daños atribuibles al consumidor, persona o herrajes no autorizados por Kohler Co.
3. Esta garantía no cubre los daños que resulten de desastres naturales, tales como incendios o casos de fuerza mayor, incluyendo inundaciones, terremotos, tormentas eléctricas, etc. Para obtener una lista de distribuidores cerca de usted y así hacer valer sus derechos bajo esta garantía, llame al 001-877-680-1310.

KOHLER CO., KOHLER, WI 53044 U.S.A.

IMPORTADOR:

INTERNACIONAL DE CERÁMICA, S.A.B. DE C.V.

AV. CARLOS PACHECO NO. 7200

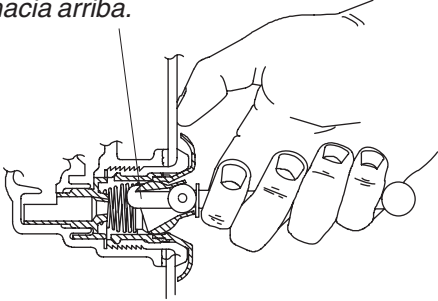
Garantía de un año (cont.)

CHIHUAHUA, CHIH., MÉXICO C.P. 31060

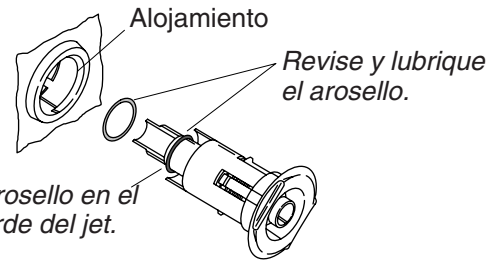
TEL: 52 (14) 29-11-11

Extraiga los jets

Inserte el gancho de la herramienta tal como se ilustra y saque el jet del alojamiento. Al realizar este paso el jet debe estar orientado hacia arriba.



Vuelva a instalar los jets



Deslice el arosello en el primer reborde del jet.

Inserte el jet en el alojamiento, empuje y gire el jet levemente hasta que encaje en su lugar.

Procedimientos para resolver problemas

Extraiga los jets

NOTA: Con los jets se incluye una herramienta especial que le permitirá extraerlos de la bañera de hidromasaje. Esta herramienta también se incluye con cada kit de guarnición.

- Coloque la boquilla esférica del jet de manera que apunte hacia arriba.

NOTA: La boquilla debe seguir apuntando hacia arriba, de lo contrario la herramienta se resbalará.

- Inserte la herramienta de extracción con el gancho hacia arriba en la abertura del jet y enganche la parte superior en la boquilla.
- Sostenga la herramienta con fuerza y coloque el dedo pulgar contra la pared de la bañera de hidromasaje. Jale la herramienta uniformemente hasta que el montaje del jet salga del orificio. Tenga cuidado de no perder el arosello (O-ring).

Vuelva a instalar los jets

NOTA: El arosello (O-ring) del jet debe estar correctamente colocado, lubricado y en buenas condiciones para que el jet pueda girar fácilmente y funcione bien.

- Instale el arosello (O-ring) en el **primer reborde** del jet. Lubrique el arosello (O-ring) con lubricante de silicona para evitar que el jet haga ruido.
- Inserte con cuidado el jet en el alojamiento, empuje levemente y gire el jet hasta que encaje en su lugar. **No fuerce el jet.**

NOTA: Cuando está instalado correctamente, el jet gira sin problemas en ambos sentidos.

Guía para resolver problemas

Esta guía para resolver problemas está diseñada únicamente como ayuda general. Un representante de servicio autorizado de Kohler o un electricista calificado debe resolver todos los problemas eléctricos. Para obtener servicio cubierto por la garantía, póngase en contacto con el vendedor o el distribuidor mayorista.

Guía para resolver problemas del sistema de la bañera de hidromasaje

Síntomas	Causas probables	Acción recomendada
1. El teclado no se ilumina cuando se oprime el botón de encendido o se hace girar el anillo externo.	A. El control no tiene alimentación eléctrica.	A. Verifique el cableado y conecte el suministro eléctrico. Si el problema persiste, consulte al instalador/distribuidor.

Procedimientos para resolver problemas (cont.)

Guía para resolver problemas del sistema de la bañera de hidromasaje

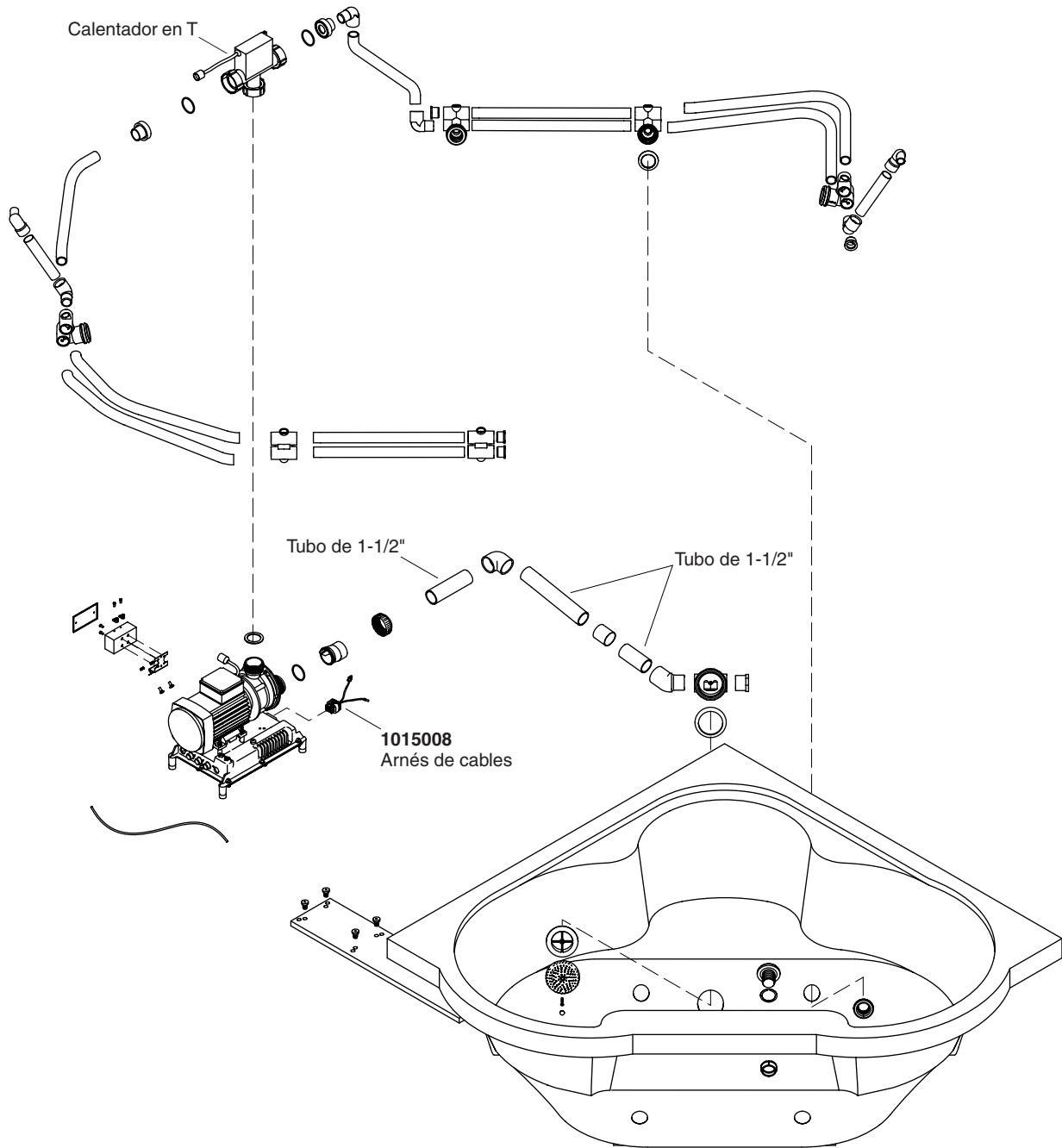
Síntomas	Causas probables	Acción recomendada
	<p>B. El interruptor de circuito GFCI o RCD se ha disparado.</p> <p>C. El arnés de cables del teclado al control está suelto, desconectado o dañado.</p> <p>D. El teclado no funciona.</p> <p>E. El control no funciona.</p>	<p>B. Oprima el botón de restablecer el interruptor GFCI o RCD.</p> <p>C. Revise que los cables estén correctamente conectados. Reemplace el arnés de cables de ser necesario. Consulte al distribuidor/instalador.</p> <p>D. Reemplace el teclado. Consulte al distribuidor/instalador.</p> <p>E. Reemplace el control. Consulte al distribuidor/instalador.</p>
2. El motor se enciende, pero no todos los jets funcionan.	<p>A. El jet está cerrado.</p> <p>B. El jet no está instalado correctamente.</p> <p>C. Los jets están obstruidos.</p>	<p>A. Gire el anillo decorativo del jet hacia la izquierda para abrirlo.</p> <p>B. Vuelva a instalar el jet; revise que el arosello (O-ring) no esté dañado.</p> <p>C. Elimine la obstrucción.</p>
3. El teclado está iluminado pero no responde a los botones o anillo.	<p>A. El programa del control está bloqueado.</p> <p>B. El arnés de cables del teclado al control está suelto, desconectado o dañado.</p> <p>C. El teclado no funciona.</p> <p>D. El control no funciona.</p>	<p>A. Oprima el botón de restablecer el interruptor GFCI o RCD.</p> <p>B. Revise que los cables estén correctamente conectados. Reemplace el arnés de cables de ser necesario. Consulte al distribuidor/instalador.</p> <p>C. Reemplace el teclado. Consulte al distribuidor/instalador.</p> <p>D. Reemplace el control. Consulte al distribuidor/instalador.</p>
4. Al encender la unidad, la barra indicadora del teclado continúa en modo de búsqueda.	<p>A. El programa del control está bloqueado.</p> <p>B. El arnés de cables del teclado al control está suelto, desconectado o dañado.</p> <p>C. El teclado no funciona.</p> <p>D. El control no funciona.</p>	<p>A. Oprima el botón de restablecer el interruptor GFCI o RCD.</p> <p>B. Revise que los cables estén correctamente conectados. Reemplace el arnés de cables de ser necesario. Consulte al distribuidor/instalador.</p> <p>C. Reemplace el teclado. Consulte al distribuidor/instalador.</p> <p>D. Reemplace el control. Consulte al distribuidor/instalador.</p>
5. El teclado está iluminado pero la bomba no se enciende.	<p>A. El cable eléctrico de la bomba al control está suelto, desconectado o dañado.</p> <p>B. La bomba no funciona.</p> <p>C. El control no funciona.</p>	<p>A. Revise que los cables estén correctamente conectados. Si el problema persiste, consulte al instalador/ distribuidor.</p> <p>B. Reemplace la bomba. Consulte al distribuidor/instalador.</p> <p>C. Reemplace el control. Consulte al distribuidor/instalador.</p>
6. El motor funciona pero la bomba no hace el cebado (se produce cavitación).	<p>A. La bomba se ha acuñado demasiado.</p> <p>B. Pequeña fuga de aire en la entrada de la bomba.</p> <p>C. El motor/bomba no funciona.</p> <p>D. El control no funciona.</p>	<p>A. Baje la bomba/control al nivel del subpiso.</p> <p>B. Apriete firmemente la(s) tuerca(s) del lado de admisión de la bomba.</p> <p>C. Reemplace el motor/bomba. Consulte al distribuidor/instalador.</p> <p>D. Reemplace el control. Consulte al distribuidor/instalador.</p>

Procedimientos para resolver problemas (cont.)

Guía para resolver problemas del sistema de la bañera de hidromasaje

Síntomas	Causas probables	Acción recomendada
7. La bomba se detiene antes de funcionar durante 18 minutos.	<p>A. El interruptor GFCI o RCD se ha disparado.</p> <p>B. La succión está obstruida.</p> <p>C. Los jets están obstruidos.</p> <p>D. El motor se ha sobrecalentado, activando el dispositivo de protección.</p>	<p>A. Identifique la causa de la falla y corrija. Oprima el botón de restablecer el interruptor GFCI o RCD.</p> <p>B. Elimine la obstrucción.</p> <p>C. Elimine la obstrucción.</p> <p>D. Verifique que no haya obstrucciones en la succión y/o jets. Elimine la obstrucción y deje enfriar el motor.</p>
8. La bomba no se apaga automáticamente después de 22 minutos.	<p>A. El temporizador de 20 minutos se ha desactivado inadvertidamente.</p>	<p>A. Consulte el manual de mantenimiento.</p>
9. La bomba no se apaga cuando se oprime el botón de encendido/apagado en el teclado.	<p>A. El teclado no funciona.</p> <p>B. El control no funciona.</p>	<p>A. Reemplace el teclado. Consulte al distribuidor/instalador.</p> <p>B. Reemplace el control. Consulte al distribuidor/instalador.</p>
10. La bomba funciona pero la opción de velocidad variable no funciona.	<p>A. El motor/bomba no funciona.</p> <p>B. El control no funciona.</p>	<p>A. Reemplace el motor/bomba. Consulte al distribuidor/instalador.</p> <p>B. Reemplace el control. Consulte al distribuidor/instalador.</p>
11. El agua de la bañera se enfría mientras la bomba está funcionando.	<p>A. La temperatura del agua es mayor que 104°F (40°C).</p> <p>B. El botón del calentador está apagado en el teclado.</p> <p>C. El cable que existe entre el calentador y el control está suelto, desconectado o dañado.</p> <p>D. El calentador no funciona.</p> <p>E. El control no funciona.</p>	<p>A. Deje enfriar el agua de la bañera.</p> <p>B. Encienda el calentador.</p> <p>C. Revise que los cables estén correctamente conectados. Consulte al distribuidor/instalador.</p> <p>D. Reemplace el calentador. Consulte al distribuidor/instalador.</p> <p>E. Reemplace el control. Consulte al distribuidor/instalador.</p>
12. Funcionamiento ruidoso.	<p>A. Las cintas metálicas de la bomba no se han cortado.</p> <p>B. El arosello (O-ring) del jet está mal colocado o seco (ruidoso).</p>	<p>A. Corte las cintas metálicas con unas tijeras para chapa.</p> <p>B. Extraiga el jet, reemplace y lubrique el arosello (O-ring); vuelva a instalar el jet.</p>
13. El control remoto (si está equipado) no funciona.	<p>A. Pilas mal instaladas o descargadas.</p> <p>B. La antena del arnés de cables está dañada.</p> <p>C. El control remoto no se ha programado correctamente.</p> <p>D. El control remoto no funciona.</p> <p>E. El control no funciona.</p>	<p>A. Reemplace las pilas.</p> <p>B. Reemplace el arnés de cables. Consulte al distribuidor/instalador.</p> <p>C. Consulte la guía del usuario o el manual de servicio del control remoto.</p> <p>D. Reemplace el control remoto.</p> <p>E. Reemplace el control. Consulte al distribuidor/instalador.</p>

***Nota:** Todos los tubos son de 1" a menos que se indique lo contrario.



****Se debe especificar el código del acabado/color con el pedido.**

Piezas de repuesto

1003065
Herramienta para extraer
la brida de succión



73518
Tapón



93685
Alojamiento



96708
Brida



65886 (Acrílico y fibra de vidrio)
60050 (Hierro fundido)
Empaque

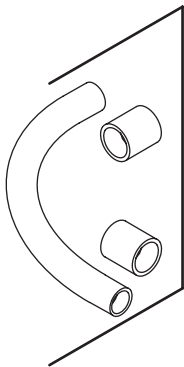


65054**
Tornillo



96895** (Acabados de color)
65061** (Acabados metálicos)
Tapa

65226**
Tapón de la
tapa de succión



93836 (1/2")
93837 (3/4")
93838 (1")
93839 (1-1/4")
94853 (1-1/2")
Tubo (con acopladores)

91967
Válvula de retención



94469
Herramienta para
extraer la brida



67665
Tapón



67429
Brida



67889
Alojamiento del jet



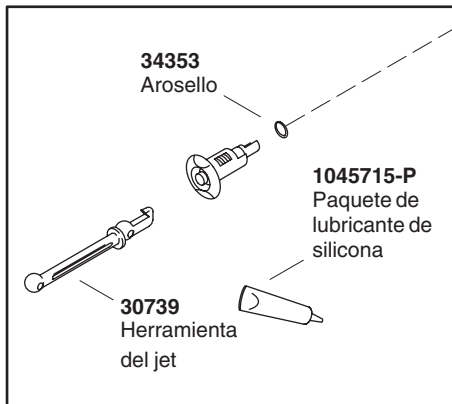
65885 (Acrílico y fibra de vidrio)
67668 (Hierro fundido)
Empaque

**Un jet para bañeras de hidromasaje
con 5 o menos jets**

88532** (Acabados de color)
88531** (Acabados metálicos)
Jet

**Un jet para bañeras de hidromasaje
con 6 o más jets**

88530** (Acabados de color)
88529** (Acabados metálicos)
Jet



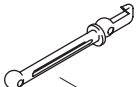
34353
Arosello



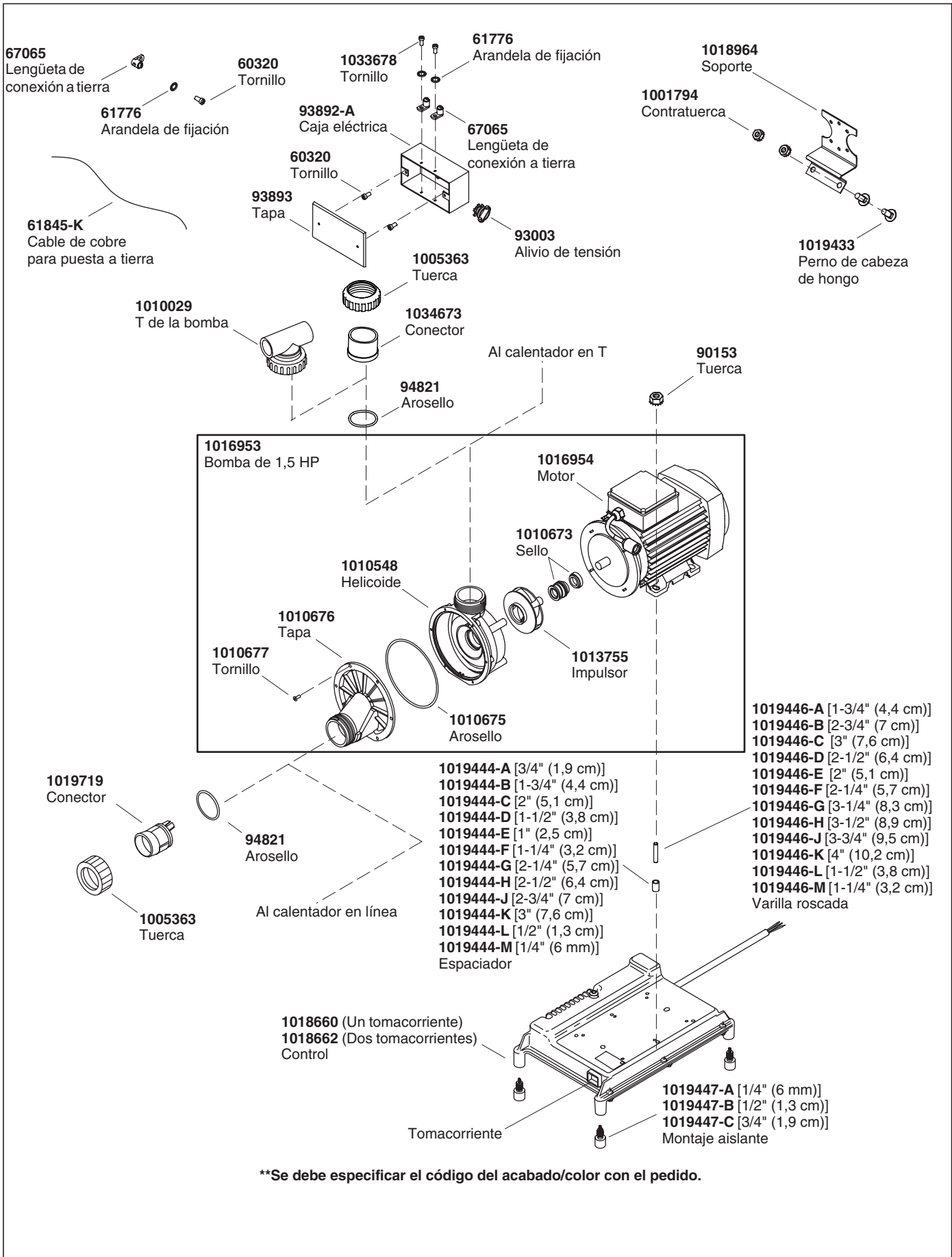
1045715-P
Paquete de
lubricante de
silicona

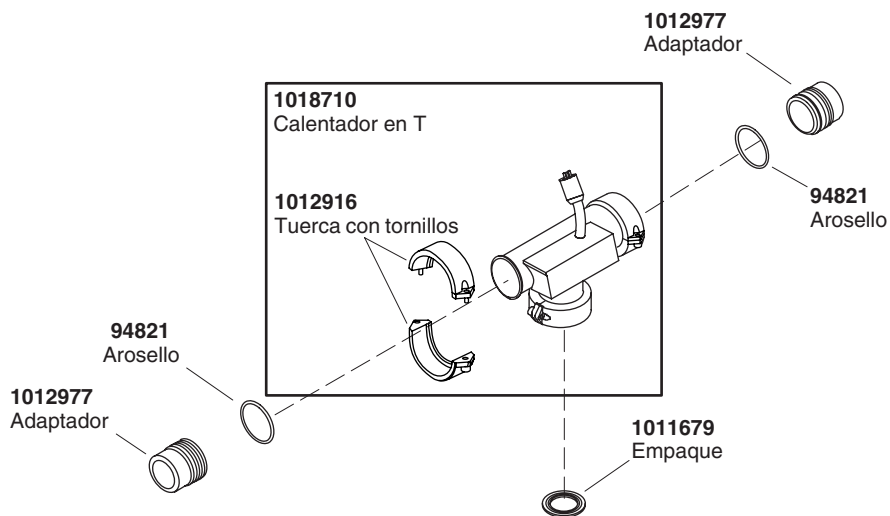
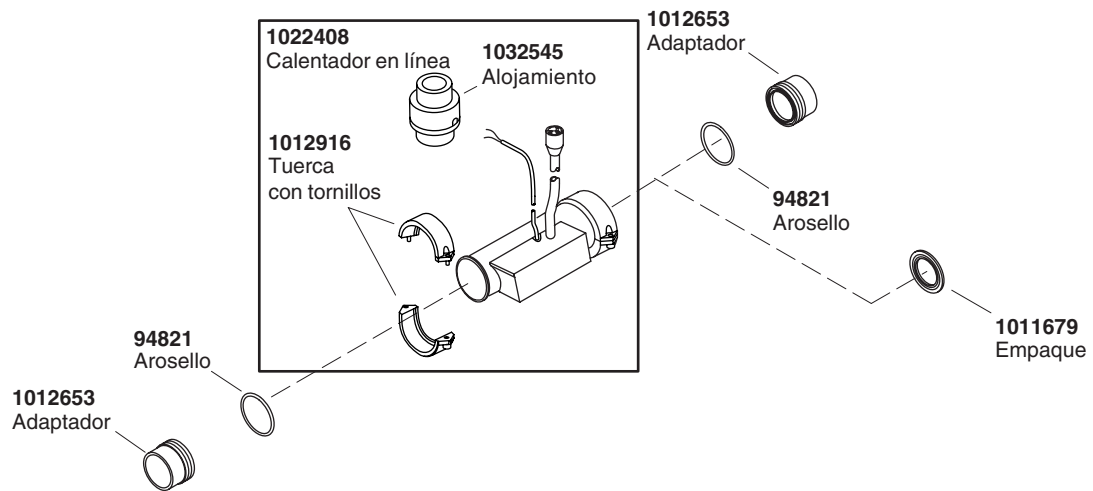


30739
Herramienta
del jet

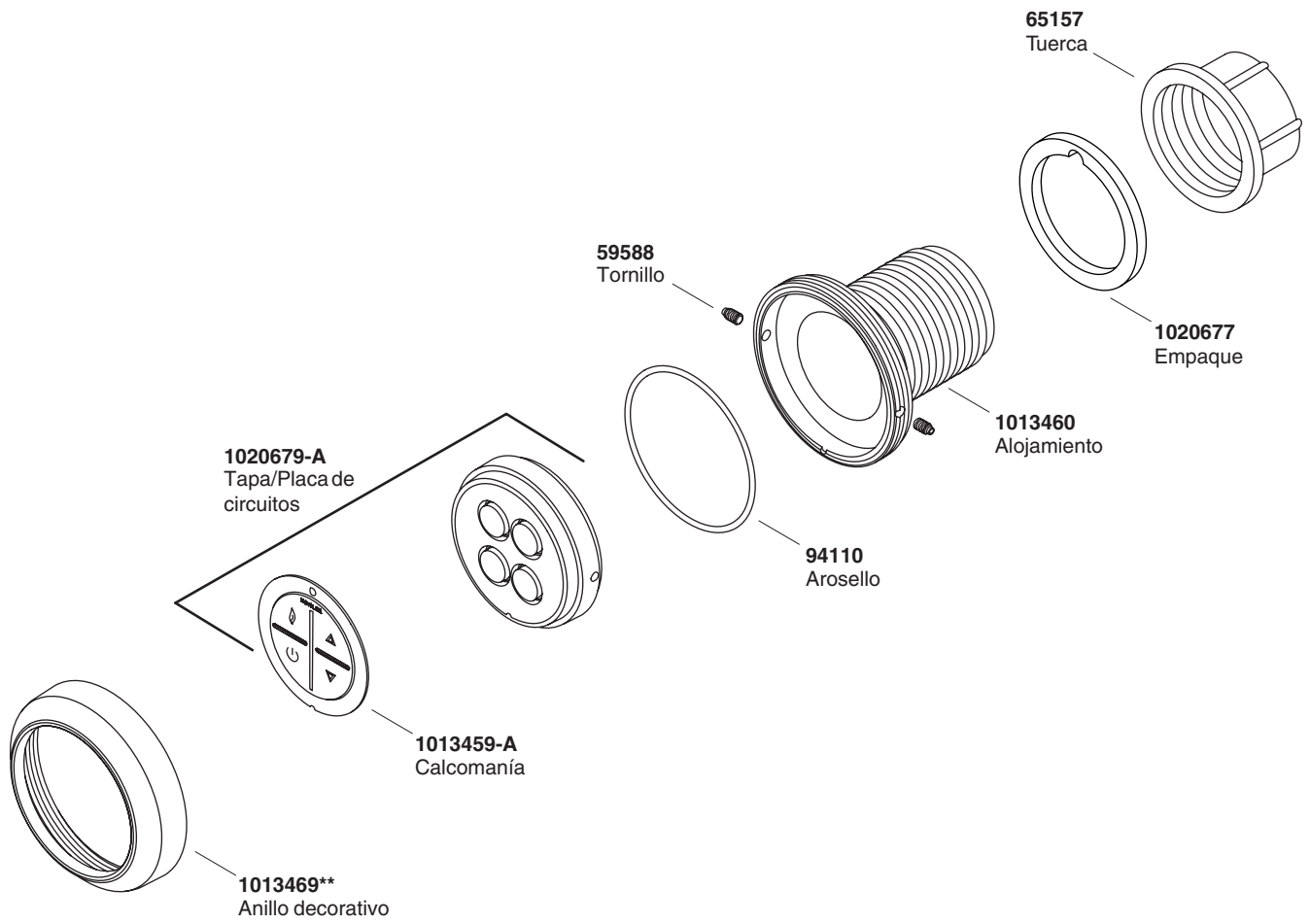


****Se debe especificar el código del acabado/color con el pedido.**





****Se debe especificar el código del acabado/color con el pedido.**



****Se debe especificar el código del acabado/color con el pedido.**

USA: 1-800-4-KOHLER
Canada: 1-800-964-5590
México: 001-877-680-1310

kohler.com

THE BOLD LOOK
OF **KOHLER**®

©2007 Kohler Co.

1022417-5-C