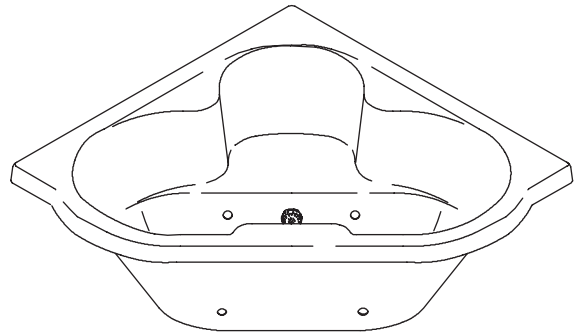


Features

- Acrylic
- 1.5 hp variable-speed pump with 1.5 kW heater and back-lit user keypad
- 6 Flexjets™
- For corner installation
- Custom pump locations
- Less all trim
- Optional K-1435 front apron
- 60-1/2" (153.7 cm) x 60-1/2" (153.7 cm) x 24" (61 cm)

CUSTOM WHIRLPOOL K-1433-HE ALSO K-1433-HH/-HM



Codes/Standards Applicable

Specified model meets or exceeds the following:

- ASME A112.19.7M
- ANSI Z124.1.2
- IAPMO/UPC
- Underwriters Laboratories (UL)

Colors/Finishes

- 0: White
- Other: Refer to Price Book for additional colors/finishes

Accessories

- 0: White
- CP: Polished Chrome
- PB: Vibrant® Polished Brass
- Other: Refer to Price Book for additional colors/finishes

Specified Model

Model	Description	Colors/Finishes	
K-1433-HE	Corner whirlpool, custom pump	<input type="checkbox"/> 0	<input type="checkbox"/> Other_____
K-1433-HH	Corner whirlpool, custom pump	<input type="checkbox"/> 0	<input type="checkbox"/> Other_____
K-1433-HM	Corner whirlpool, custom pump	<input type="checkbox"/> 0	<input type="checkbox"/> Other_____

Required Accessories			
K-7167	Clearflo pop-up drain	<input type="checkbox"/> CP	<input type="checkbox"/> PB <input type="checkbox"/> Other_____
K-9696	Jet trim kit	<input type="checkbox"/> CP	<input type="checkbox"/> PB <input type="checkbox"/> Other_____

Optional Accessories			
K-1181	Vinyl tiling-in head (use when wall material contracts any top surface of bath)		<input type="checkbox"/> NA
K-1435	Apron (removable)	<input type="checkbox"/> 0	<input type="checkbox"/> Other_____

Additional Optional Accessories table is on page 2.

Product Specification

The acrylic bath whirlpool shall be 60-1/2" (153.7 cm) in length, 60-1/2" (153.7 cm) in width, and 24" (61 cm) in height. The bath whirlpool shall have 6 Flexjets, a 1.5 hp variable-speed pump, a 1.5 kW heater, and back-lit user keypad. The bath whirlpool shall be less all trim. The bath shall be for corner installation and include custom pump locations. The bath whirlpool shall be Kohler Model K-1433-_____-_____.

CORNERSTONE™

Optional Accessories

K-1491	Pillow	<input type="checkbox"/> 0	<input type="checkbox"/> Other_____
K-1601	Footstop	<input type="checkbox"/> 0	<input type="checkbox"/> Other_____
K-1703	Remote control		<input type="checkbox"/> NA

Technical Information

Fixture*:					
Basin area:					
Bathing well	45" (114.3 cm) x 25" (63.5 cm)				
Top area	66" (167.6 cm) x 33" (83.8 cm)				
To overflow:					
Water depth	19" (48.3 cm)				
Capacity	112 gal (424 L)				
Weight	165 lbs (74.8 kg)				
* Approximate measurements for comparison only.					
Drop-in cut-out	59" (149.9 cm) x 59" (149.9 cm) corner installation. Unit must be on job site to determine cut-out radius of contoured front.				
Cut-out template	111461-7				
Pump:	Hp	kW	V	Hz	A
Variable-speed	1.5	1.5	240	50/60	11

Required Electrical Service

Dedicated circuit required, protected with Class A Ground-Fault Circuit-Interrupter (GFCI) or Earth-Leakage Circuit-Breaker (ELCB):

Pump/control 220/240 V, 20 A, 50/60 Hz

Installation Notes

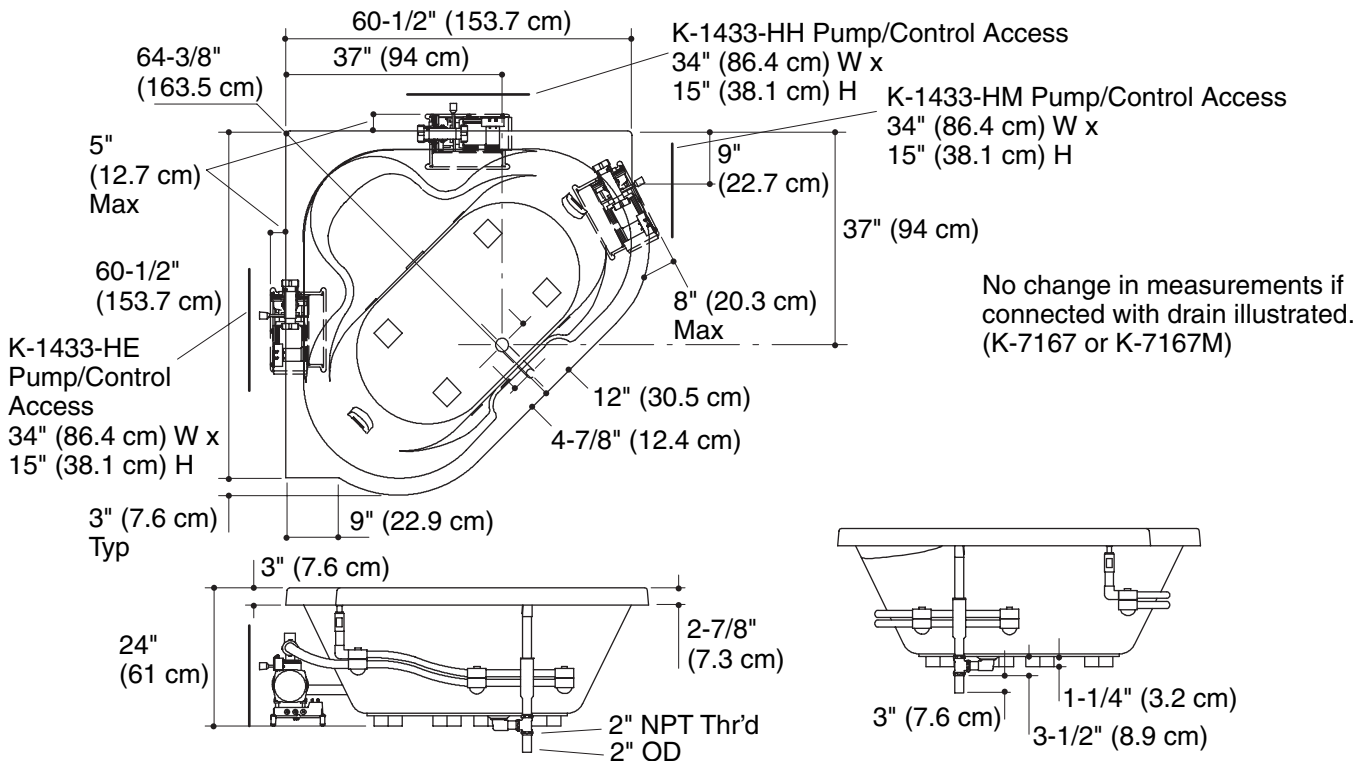
Install this product according to the installation guide.

Floor support under whirlpool must provide for a minimum of 44 lbs (216 kg).

Hot water supply should be 70% of capacity or greater. Installations will vary.

If installing a rim-mount faucet, make sure there is no interference with drain overflow and circulating system before drilling any holes. Consult local and national codes for minimum air gap requirements if installing a spout on the faucet deck.

Pump must be relocated to custom position at the time of installation. Provide adequate clearance.



Product Diagram