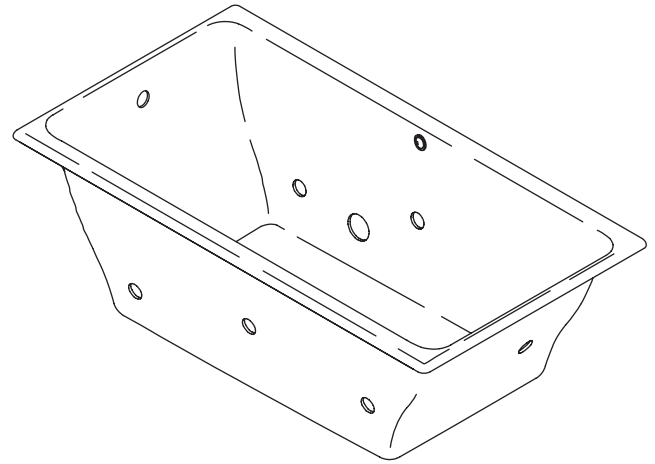


Features

- Cast iron with Safeguard® finish
- Less all trim
- 1.5 hp variable speed pump with 1.5 kW heater and back-lit user keypad
- 8 Flexjet™ hydro-massage jets
- Available as a drop-in installation (-H2) or alcove installation (-LH or -RH)
- 66" (167.6 cm) x 36" (91.4 cm) x 24" (61 cm)

5.5' BATH WHIRLPOOL K-809-H2 ALSO K-809-LH, K809-RH



Codes/Standards Applicable

Specified model meets or exceeds the following:

- IAPMO/UPC
- Underwriter's Laboratories (UL)
- ASME A112.19.1M
- ASME A112.19.7M
- ICC/ANSI A117.1

Colors/Finishes

- 0: White
- Other: Refer to Price Book for additional colors/finishes

Accessories:

- CP: Polished Chrome
- PB: Polished Brass
- Other: Refer to Price Book for additional colors/finishes

Specified Model

Model	Description	Colors/Finishes	
K-809-H2	Drop-in bath whirlpool	<input type="checkbox"/> 0	<input type="checkbox"/> Other_____
K-809-LH	Drop-in bath whirlpool for alcove installation, left drain	<input type="checkbox"/> 0	<input type="checkbox"/> Other_____
K-809-RH	Drop-in bath whirlpool for alcove installation, right drain	<input type="checkbox"/> 0	<input type="checkbox"/> Other_____

Required Accessories

K-9698	Jet trim kit	<input type="checkbox"/> CP	<input type="checkbox"/> PB	<input type="checkbox"/> Other_____
K-7145	Drain	<input type="checkbox"/> CP	<input type="checkbox"/> PB	<input type="checkbox"/> Other_____

Optional Accessories

K-587	Undermount installation kit (template and installation instructions)		<input type="checkbox"/> NA
K-1491	Pillow	<input type="checkbox"/> 0	<input type="checkbox"/> Other_____
K-1491	Remote control		<input type="checkbox"/> NA

Product Specification

The drop-in bath whirlpool shall be 66" (167.6 cm) in length, 36" (91.4 cm) in width, and 24" (61 cm) in height. Bath whirlpool shall be made of cast iron with Safeguard™ finish. Bath whirlpool shall have 8 Flexjet™ hydro-massage jets, 1.5 hp variable speed pump with 1.5 kW heater, and back-lit user keypad. Bath whirlpool shall be available as a drop-in installation (-H2) or alcove installation (-LH or -RH). Bath whirlpool shall be less all trim. Bath whirlpool shall be Kohler Model K-809-_____-_____.

KATHRYN®

Technical Information

Fixture*:	
Bathing well	
Basin area	45" (114.3 cm) x 25" (63.5 cm)
Top area	58" (147.3 cm) x 29" (73.7 cm)
To overflow	
Water depth	17-3/4" (45.1 cm)
Capacity (to overflow)	97 gal (365.2 L)
Weight	
510 lbs (231.3 kg)	
* Approximate measurements for comparison only.	

Pump	Heater	V	Hz	A*
1.5 hp	1.5 kW	240	50/60	11
* Approximate measurements for comparison only.				

Cut-out template:	
Drop-in	64-1/2" (163.8 cm) x 34-1/2" (87.6 cm)
Undermount	K-587

Required Electrical Service

Dedicated circuit required, protected with Class A Ground-Fault Circuit-Interrupter (GFCI) or Earth-Leakage Circuit-Breaker (ELCB):	
Pump/control	208-240 V, 20 A, 50/60 Hz

Installation Notes

Install this product according to the installation guide.

Cast iron bath whirlpools are extremely heavy, making some drop-in installations difficult. For deck-mount installations, splitting the deck/surround is recommended.

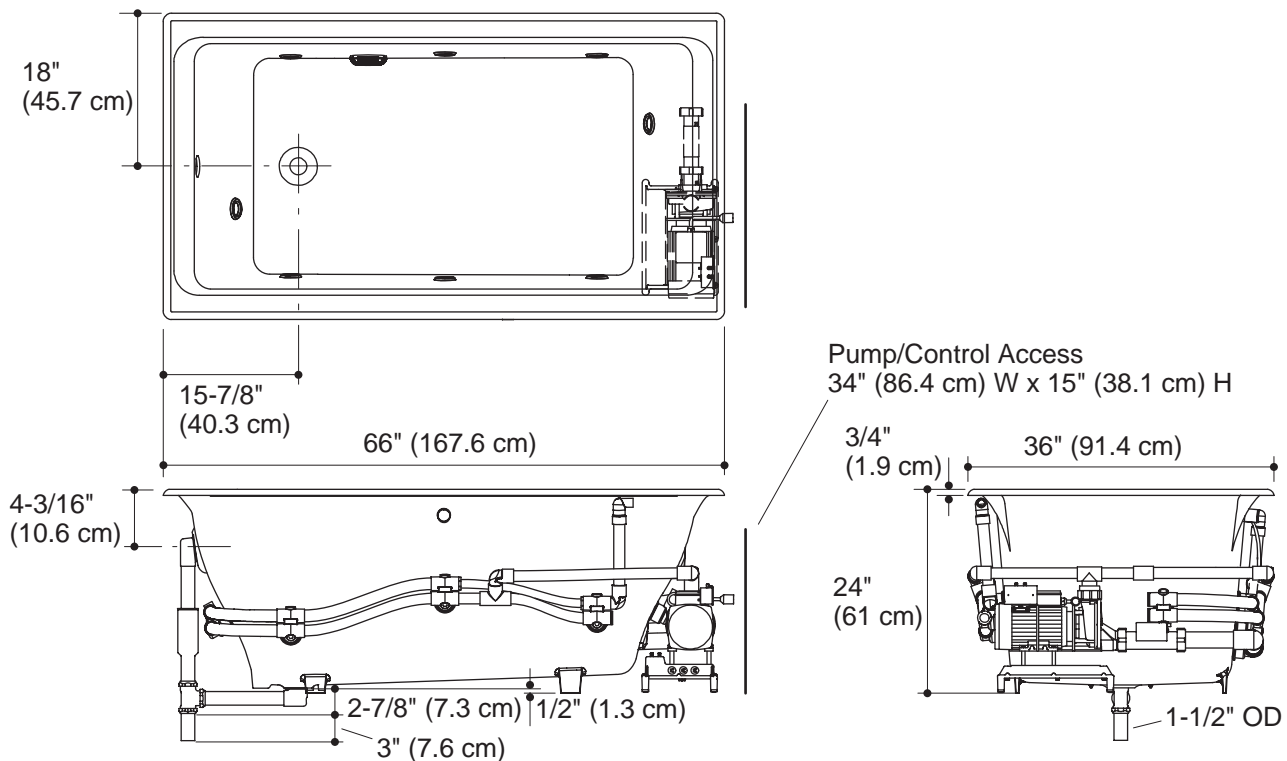
The required access panel must be a minimum of 34" (86.4 cm) in width and 15" (38.1 cm) in height.

Floor support under the bath whirlpool must provide for a minimum of 2000 lbs (907.2 kg) loading.

The hot water supply should be 70% of capacity or greater. Installations will vary.

K-809-H2

No change in measurements if connected with drain illustrated. (K-7145 or K-7145M)



Product Diagram