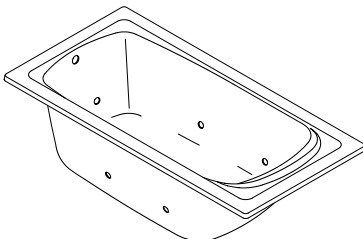


# Homeowners Guide

## Bath Whirlpool


K-1460, K-1461





# Operating Instructions


## INSTRUCTIONS PERTAINING TO A RISK OF FIRE, ELECTRIC SHOCK, OR INJURY TO PERSONS READ AND FOLLOW ALL INSTRUCTIONS

 When using electrical products, basic precautions should always be followed, including the following:

 **Risk of personal injury.** To reduce the risk of injury, do not permit children to use this unit unless they are closely supervised at all times.

 **Risk of personal injury.** To avoid injury, exercise care when entering or exiting the whirlpool.

 **Risk of electric shock.** Do not permit electric appliances (such as a hair dryer, lamp, telephone, radio, or television) within 5' (1.5m) of this whirlpool.

 **Risk of hyperthermia.** People using medications and/or having an adverse medical history should consult a physician before using a whirlpool equipped with a heater.

An equipment grounding terminal is provided in the field wiring compartment. To reduce the risk of electric shock, this terminal must be connected to the grounding means provided in the electric supply panel with a conductor equivalent in size to the circuit conductors supplying this whirlpool.

A pressure wire connector is provided on the exterior of the pump or control within this unit to permit connection of a bonding conductor between this unit and all other exposed metal in the vicinity, as needed to comply with local requirements.

Use this whirlpool only for its intended purpose as described in this manual. Do not use attachments not recommended by the manufacturer.

Never drop or insert any object into any opening.

Do not operate this unit without the guard (cover) over the suction fitting.

The whirlpool must be connected only to a supply circuit that is protected by a Ground-Fault Circuit-Interrupter (GFCI) or Earth-Leakage Circuit-Breaker (ELCB). Such a GFCI or ELCB should be provided by the installer and should be tested on a routine basis. To test the GFCI or ELCB, press the test button. The GFCI or ELCB should interrupt power. Press the reset button. Power should be restored. If the GFCI or ELCB fails to operate in this manner, the GFCI or ELCB is defective. If the GFCI or ELCB interrupts power to the bath without the test button being pressed, a ground current is flowing, indicating the possibility of an electric shock. Do not use this whirlpool bath. Disconnect the whirlpool and have the problem corrected by a qualified service representative before using.

## SAVE THESE INSTRUCTIONS

 **The use of alcohol, drugs, or medication can greatly increase the risk of fatal hyperthermia.**

Prolonged immersion in hot water may induce hyperthermia. Hyperthermia occurs when the internal temperature of the body reaches a level several degrees above the normal body temperature of 98.6°F (37°C). The symptoms of hyperthermia include an increase in the internal temperature of the body, dizziness, lethargy, drowsiness, and fainting. The effects of hyperthermia include: (a) failure to perceive heat, (b) failure to recognize the need to exit the bath, (c) unawareness of impending hazard, (d) fetal damage in pregnant women, (e) physical inability to exit the bath, and (f) unconsciousness resulting in the danger of drowning.

Flush your whirlpool system twice a month or more depending upon usage, as described on Page 6.

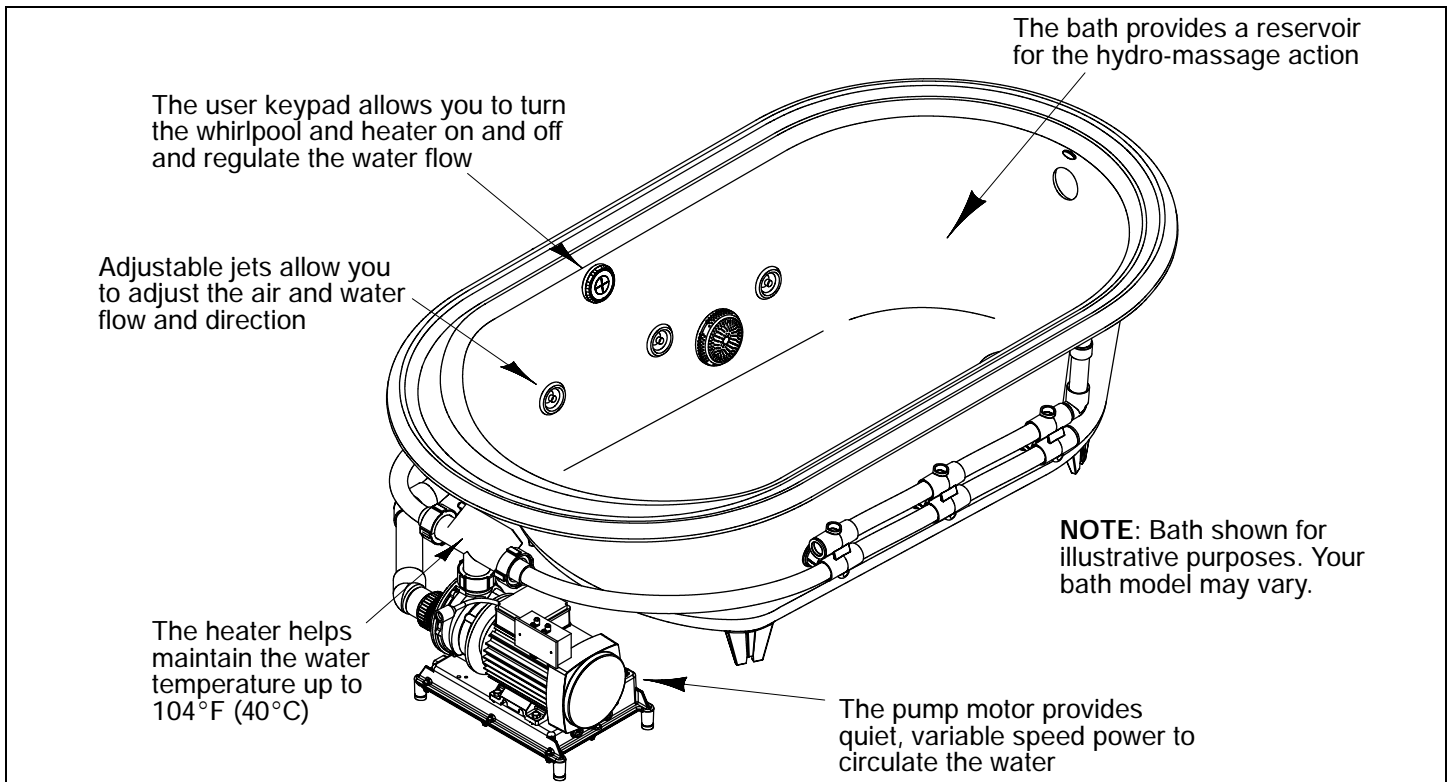
Do not allow the water temperature in the whirlpool to exceed 104°F (40°C).

Keep small objects such as bath toys and bathing accessories out of the whirlpool while the unit is running. Repeated use of personal care products containing oils can damage plastic whirlpool components. Do not use heavy, vegetable-based shampoos or bath oils.

Whirlpool hydro-massage action can cause even a small amount of bubble bath, bath soap, shampoo, or bath oil to foam excessively. For this reason, please don't use these products during whirlpool operation.

# Table of Contents

Thank You .....	4
Your Kohler Whirlpool .....	4
User Keypad & Whirlpool Modes/Features .....	5
Operating Your Whirlpool .....	5
Care and Cleaning .....	6
One-Year Warranty - U.S.A. and Canada .....	7
One-Year Warranty - Mexico .....	8
Troubleshooting .....	9
Service Parts .....	11



## Thank You For Choosing Kohler

Thank you for choosing The Bold Look of Kohler. Kohler craftsmanship offers you a rare combination of proven performance and graceful sophistication that will satisfy you for years to come. The dependability and beauty of your new whirlpool will surpass your highest expectations. We're proud of our whirlpools here at Kohler, and we know you will be too.

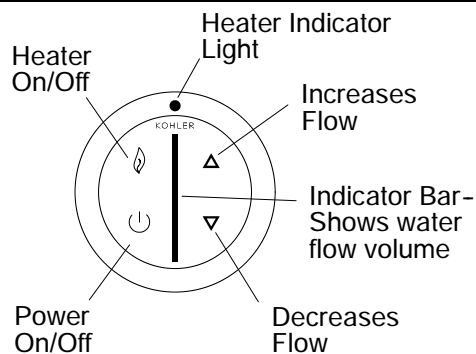
Please take a few minutes to study this Homeowners Guide before you use your whirlpool. Pay special attention to the Care and Cleaning instructions on Page 6.

All information in this manual is based upon the latest product information available at the time of publication. At Kohler, we constantly strive to improve the quality of our products. We reserve the right to make changes in product characteristics, packaging, or availability at any time without notice.

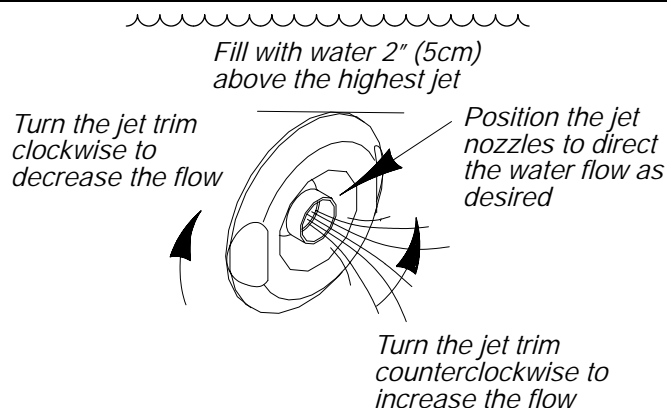
## Your Kohler Whirlpool

Your new whirlpool is designed to stimulate, invigorate, and energize your body with comforting hydro-massage therapy. The whirlpool consists of the following components:

- **Bath** - acts as a reservoir for water, and provides a location for the hydro-massage action.
- **User Keypad** - located within easy reach, the keypad allows you to turn the whirlpool and heater on and off and regulate the water flow through the jets.
- **Pump Motor** - provides quiet, variable speed power to circulate the water and create the soothing hydro-massage action.
- **Adjustable Jets** - positioned to optimize their hydro-massage effect, the jets allow you to adjust the air and water flow and control the flow direction as you desire.
- **Heater** - designed to automatically help maintain the temperature of the water up to 104°F (40°C) to enhance your hydro-massage experience. The heater turns on automatically when the whirlpool is operating, and turns off when the pump motor is turned off. The heater may be turned off, through the keypad, at any time while the pump is operating.



**Lighted User Keypad**



## User Keypad and Whirlpool Modes/Features

- **Power** - Turns the whirlpool pump on and off.
- **Up Arrow** - Increases the water flow.
- **Down Arrow** - Decreases the water flow.
- **Heater** - The heater automatically engages when the whirlpool is turned on. You may turn the heater off by pressing the heater button. Press the button a second time to turn the heater back on.
- **Indicator Bar** - Shows the water flow volume.

## Operating Your Whirlpool

- Position the jet nozzles so they face down toward the basin. Turn the jet trim fully counterclockwise.  
The water temperature in the whirlpool should never exceed 104°F (40°C). A built-in heater automatically maintains the water temperature when the whirlpool is running, as long as the water temperature does not exceed 104°F (40°C). The heater will disengage at higher temperatures.
- Close the drain, and fill the whirlpool to a level at least 2" (5cm) above the top of the highest jet. Use your hand to test the water temperature for comfort and safety, then carefully enter the bath.
- Press Power to turn on the whirlpool. The whirlpool will start at medium volume. The heater will turn on and the heater icon will illuminate.
- Increase or decrease the water flow by pressing the up or down arrows on the keypad. An indicator bar in the center of the keypad shows the water flow volume.
- Adjust the jets for optimum air/water mixture. Turn the jet trim clockwise to reduce the flow, and counterclockwise to increase the flow. Position the jet nozzles to direct the water flow as desired to maximize your hydro-massage experience.
- The heater automatically engages when the whirlpool is turned on. You may turn the heater off by pressing the heater button, when the heater mode is active. Press the button a second time to turn the heater back on.
- Press Power a second time to turn off the whirlpool.  
Your whirlpool will automatically stop after approximately 20 minutes of continuous operation. You can restart the whirlpool, if you desire, by pressing Power.
- Carefully exit the bath, and open the drain to empty the whirlpool.  
If the whirlpool does not function properly, please refer to Troubleshooting on Page 9.

## Care and Cleaning Instructions

### Cleaning Your Acrylic Bath Whirlpool

- Do not** use abrasive cleansers or solvents on acrylic surfaces.
- Wipe out your acrylic whirlpool with a soft cloth after each use.
- Avoid detergents, disinfectants, or cleaning products in aerosol cans.
- If the surface gets excessively dirty you can use a general purpose cleaner such as: Formula 409® All Purpose Cleaner, Gel Gloss® (Bath and Shower only), Scrub Free® Mildew Stain Remover, Mr. Clean Lemon Fresh, Cinch®, Glass Plus®, or Fantastik® All Purpose.

To restore dull or scratched units: Apply white automotive polishing compound with a clean rag. Rub scratches and dull areas vigorously. Wipe off residue. Follow with a coat of white automotive paste wax. Do not wax areas where you walk or stand.

### Cleaning Your User Keypad and Remote Control

- Use a soft cloth to wipe the keypad and remote control after each use. If the surface becomes dirty, use a non-abrasive soap and warm water to clean.

### Flushing Your Whirlpool System

Flush your whirlpool system twice a month or more, depending upon usage. Use the following sequence:

- Turn the jet trim rings fully clockwise to remove air induction.
- Fill the whirlpool with warm water to a level at least 2" (5cm) above the highest jets, or leave water in the whirlpool after using.
- Add 2 tablespoons (30 ml) of a low-foaming dishwasher detergent and 20 ounces (590 ml) of household bleach (5% - 6% sodium hypochlorite) to the water.
- Run the whirlpool for 5 to 10 minutes. Turn off the whirlpool and drain.
- If desired, rinse the bath surfaces with water.
- Rinse the surfaces of the jets, faucet, handrails, drain, etc. and wipe them dry with a soft cloth.

## Limited One-Year Warranty

### For the U.S.A and Canada Only

KOHLER® plumbing fixtures, faucets and fittings are warranted to be free of defects in material and workmanship for one year from date of installation.

Kohler Co. will, at its election, repair, replace or make appropriate adjustment where Kohler Co. inspection discloses any such defects occurring in normal usage within one year after installation. Kohler Co. is not responsible for removal or installation costs.

To obtain warranty service, contact Kohler Co. either through your Dealer, Plumbing Contractor, Home Center or E-tailer, or by writing Kohler Co., Attn: Customer Service Department, 444 Highland Drive, Kohler, WI 53044, USA, or by calling 1-800-4-KOHLER from within the USA, and 1-800-964-5590 from within Canada.

**Implied warranties including that of merchantability and fitness for a particular purpose are expressly limited in duration to the duration of this warranty. Kohler Co. disclaims any liability for special, incidental or consequential damages.** Some states/provinces do not allow limitations on how long an implied warranty lasts, or the exclusion or limitation of special, incidental or consequential damages so these limitations and exclusions may not apply to you. This warranty gives you specific legal rights. You may also have other rights which vary from state/province to state/province.

**This is our exclusive written warranty.**

#### Notes:

1. There may be variation in color fidelity between catalog images and actual plumbing fixtures.
2. Kohler Co. reserves the right to make changes in product characteristics, packaging or availability at any time without notice.

COPYRIGHT © 1999, 2000, 2001, 2002 BY KOHLER CO.

## One-Year Warranty - For Mexico

KOHLER CO.

It is recommended that at the time of purchase, you verify that all accessories and components are complete in this package.

This Kohler product is warranted to be free of defects in material and workmanship for one (1) year from the date of purchase as shown on the invoice or receipt.

1. Kohler Co. will only service its commercialized products through its authorized distributors.
2. To obtain warranty service, please present the invoice and corresponding warranty.
3. Through its authorized distributors, Kohler Co. promises to repair the defective product or provide a new replacement or an equivalent model (in those cases that the model has been discontinued) when the product is beyond repair, without any charge to the consumer.
4. The time of repair will not exceed six (6) weeks commencing on the date the product is received.
5. It is recommended that the consumer save the invoice or receipt as additional protection, as it may substitute the warranty in the case that there is a discrepancy in the validity of the warranty.

### EXCEPTIONS AND RESTRICTIONS

The Warranty will not be valid in the following cases:

1. When the product is not operated in accordance with the instructions concerning use and operation set forth in the owner's manual or installation instructions, and when the recommendations and warnings included are not observed.
2. When the product has been modified or dismantled partially or totally; or has been used in a negligent fashion and as a consequence has suffered damages attributable to the consumer, individual, or hardware not authorized by Kohler Co.
3. This warranty does not cover the damages as a result of disaster such as fire or acts of God, including flooding, earthquake, or electric storms, etc.

To obtain a list of distributors in your area where you can exercise your rights under this warranty, please call 001-877-680-1310.

KOHLER CO., KOHLER, WI 53044 U.S.A.

### **IMPORTER:**

INTERNACIONAL DE CERÁMICA, S.A. DE C.V.

AV. CARLOS PACHECO NO. 7200

CHIHUAHUA, CHIH., MEXICO C.P. 31060



## Troubleshooting Procedures

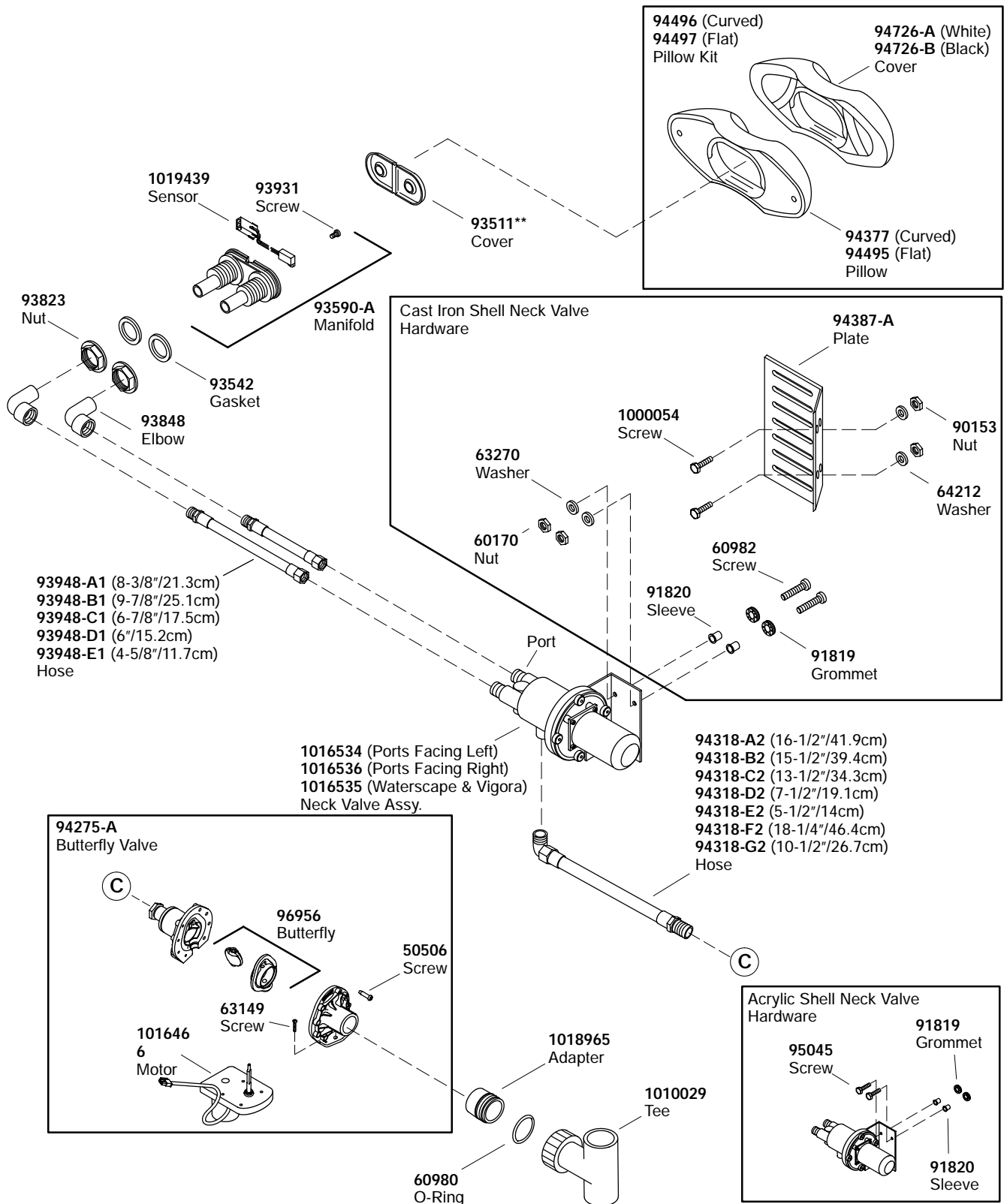
This troubleshooting guide is for general aid only. A Kohler Authorized Service Representative or qualified electrician should correct all electrical problems. For warranty service, contact your dealer or wholesale distributor.

### Troubleshooting the Whirlpool System

Symptoms	Probable Causes	Recommended Action
1. User keypad does not illuminate when power button is pressed or outer dial is rotated.	A. No power to control.	A. Check wiring and connect power. If problem persists, refer to installer/dealer.
	B. GFCI or ELCB tripped.	B. Reset GFCI or ELCB.
	C. Wiring harness from user keypad to control is loose, disconnected or damaged.	C. Check wiring for proper connections. Replace wiring harness if necessary. Refer to installer/dealer.
	D. Faulty user keypad.	D. Replace user keypad. Refer to installer/dealer.
	E. Faulty control.	E. Replace control. Refer to installer/dealer.
2. Motor starts, but all jets are not functioning.	A. Jet is closed.	A. Rotate jet trim counterclockwise to open.
	B. Jet not installed correctly.	B. Reinstall jet; check for O-ring damage.
	C. Jets are blocked.	C. Remove blockage.
3. User keypad is illuminated, but does not respond to buttons or dial.	A. Control program is locked.	A. Reset GFCI or ELCB.
	B. Wiring harness from user keypad to control is loose, disconnected or damaged.	B. Check wiring for proper connections. Replace wiring harness if necessary. Refer to installer/dealer.
	C. Faulty user keypad.	C. Replace user keypad. Refer to installer/dealer.
	D. Faulty control.	D. Replace control. Refer to installer/dealer.
4. User keypad indicator bar keeps scanning at power-up.	A. Control program is locked.	A. Reset GFCI or ELCB.
	B. Wiring harness from user keypad to control is loose, disconnected or damaged.	B. Check wiring for proper connections. Replace wiring harness if necessary. Refer to installer/dealer.
	C. Faulty user keypad.	C. Replace user keypad. Refer to installer/dealer.
	D. Faulty control.	D. Replace control. Refer to installer/dealer.
5. User keypad is illuminated, but pump won't start.	A. Power cord from pump to control is loose, disconnected or damaged.	A. Check wiring for proper connections. If problem persists, refer to installer/dealer.
	B. Faulty pump.	B. Replace pump. Refer to installer/dealer.
	C. Faulty control.	C. Replace control. Refer to installer/dealer.
6. Motor runs but pump won't prime (cavitates).	A. Pump is shimmed too high.	A. Lower pump/control to subfloor level.
	B. Small air leak at pump inlet.	B. Securely tighten nut(s) on intake side of pump.
	C. Faulty motor/pump.	C. Replace motor/pump. Refer to installer/dealer.
	D. Faulty control.	D. Replace control. Refer to installer/dealer.

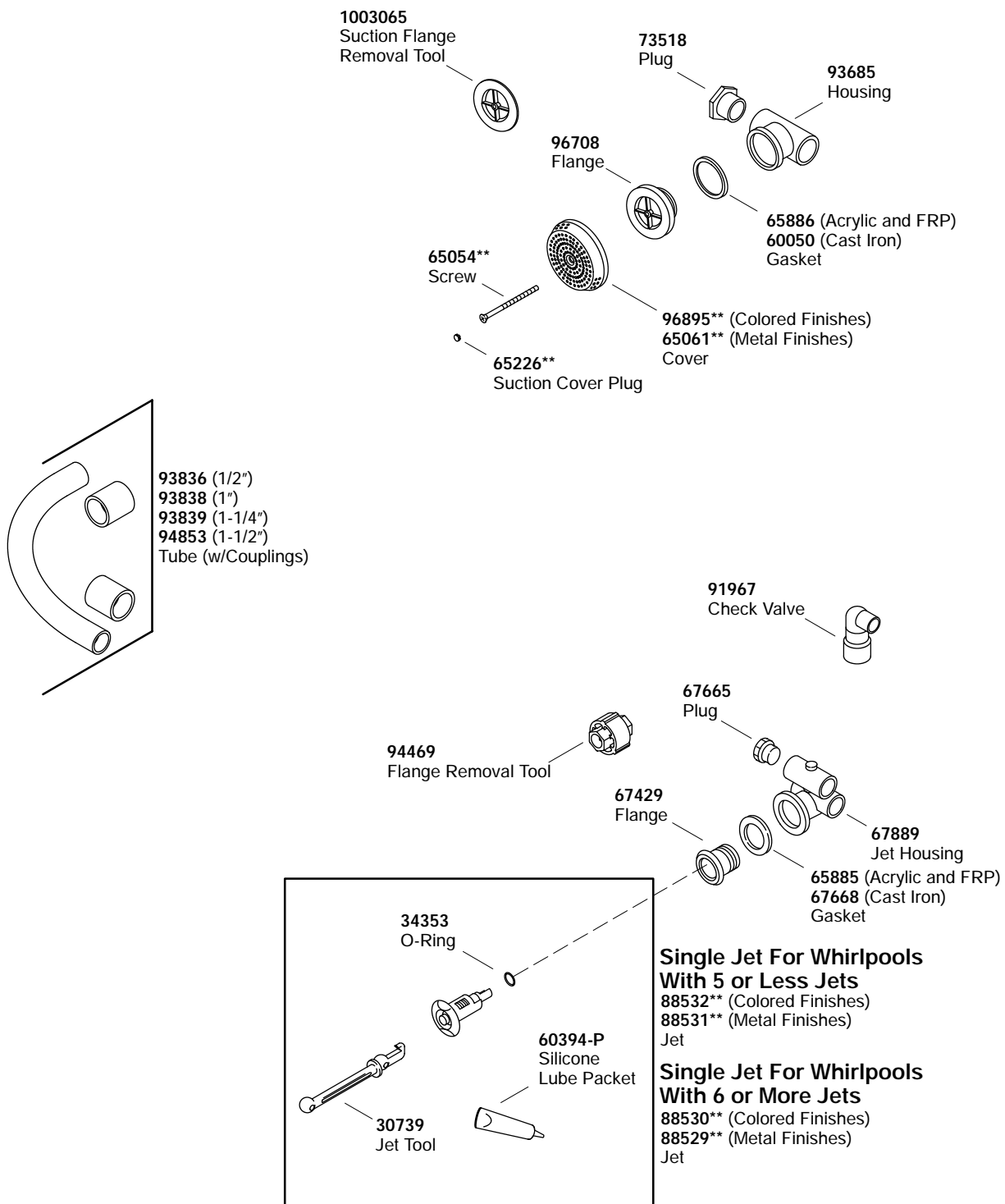
### Troubleshooting *continued*

7. Pump stops before 18 minutes.	A. GFCI or ELCB tripped.	A. Identify source of fault, and correct. Reset GFCI or ELCB.
	B. Suction is blocked.	B. Remove obstruction.
	C. Jets are blocked.	C. Remove blockage.
	D. Motor overheated and protection device activated.	D. Check for blockage at suction and/or jets. Remove blockage and allow motor to cool.
8. Pump does not automatically stop after 22 minutes.	A. 20-minute timer inadvertently disabled.	A. See service manual.
9. Pump won't turn off when the power button on user keypad is pressed.	A. Faulty user keypad.	A. Replace user keypad. Refer to installer/dealer.
	B. Faulty control.	B. Replace control. Refer to installer/dealer.
10. Pump operates but variable speed feature does not work.	A. Faulty motor/pump.	A. Replace motor/pump. Refer to installer/dealer.
	B. Faulty control.	B. Replace control. Refer to installer/dealer.
11. Bath water cools while pump is operating.	A. Water temperature above 104°F (40°C).	A. Allow bath water to cool.
	B. Heater is turned off on user keypad.	B. Turn heater on.
	C. Wiring from heater to control is loose, disconnected or damaged.	C. Check wiring for proper connections. Refer to installer/dealer.
	D. Faulty heater.	D. Replace heater. Refer to installer/dealer.
	E. Faulty control.	E. Replace control. Refer to installer/dealer.
12. Noisy operation.	A. Pump banding straps have not been cut.	A. Cut pump banding straps with tin snips.
	B. Dry or dislodged jet O-ring (squeal).	B. Remove jet, replace and lubricate O-ring, and reinstall jet.
13. Remote control (if equipped) does not work.	A. Batteries improperly installed or dead.	A. Replace batteries.
	B. Antenna on wiring harness is damaged.	B. Replace wiring harness. Refer to installer/dealer.
	C. Remote control not programmed correctly.	C. See homeowners guide or service manual.
	D. Faulty remote control.	D. Replace remote control.
	E. Faulty control.	E. Replace control. Refer to installer/dealer.

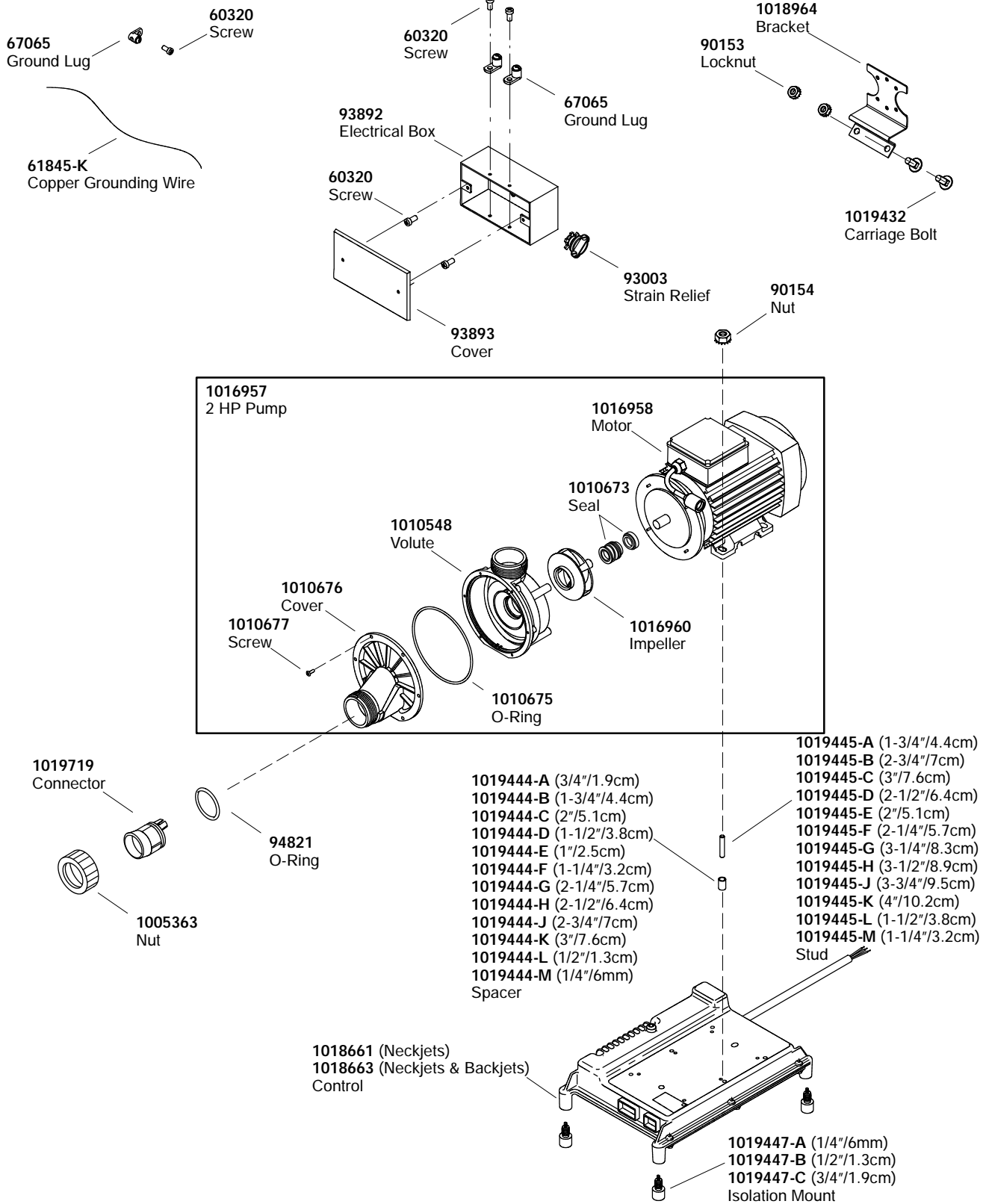


\*\*Finish/color code must be specified when ordering.

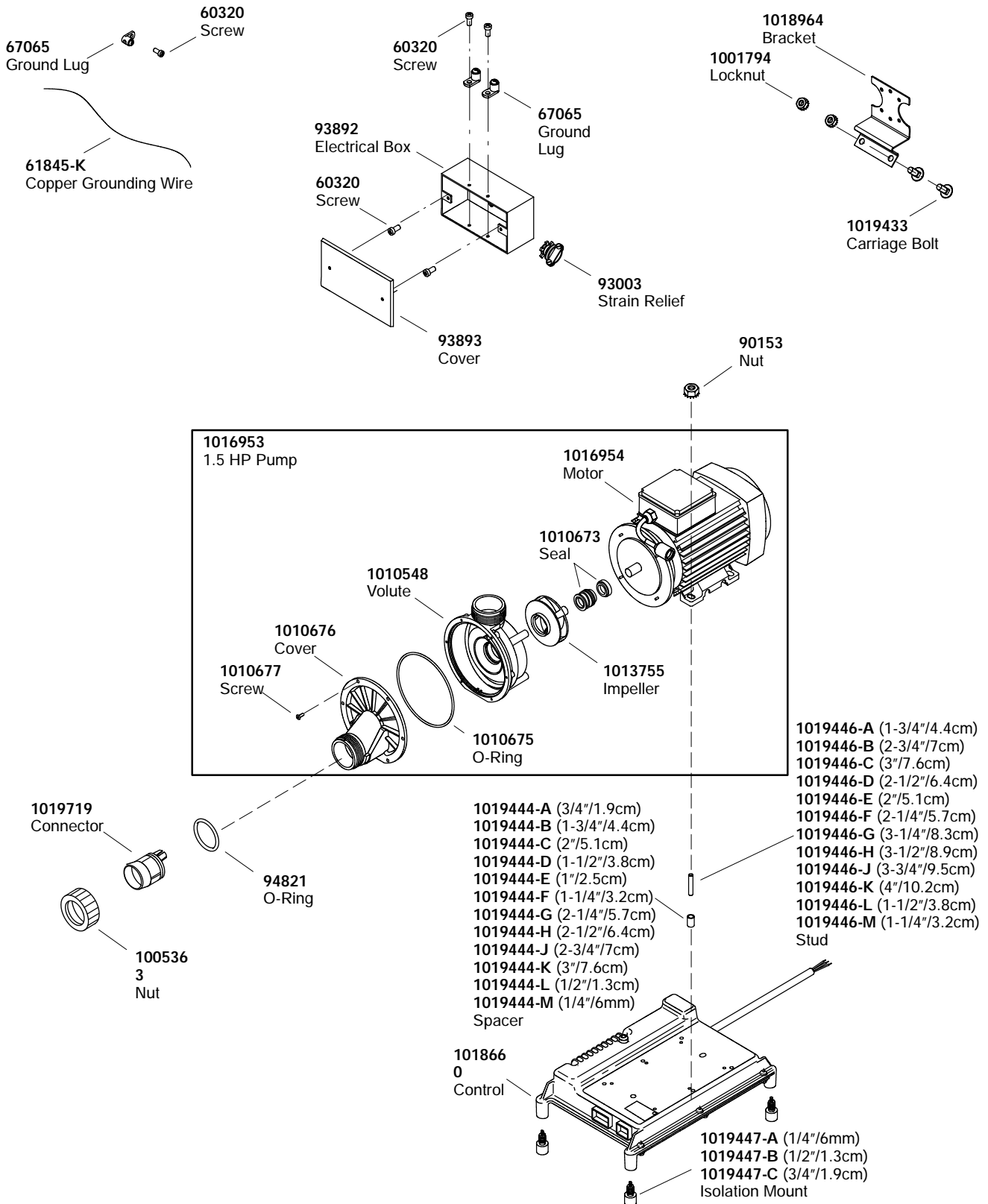
## Service Parts



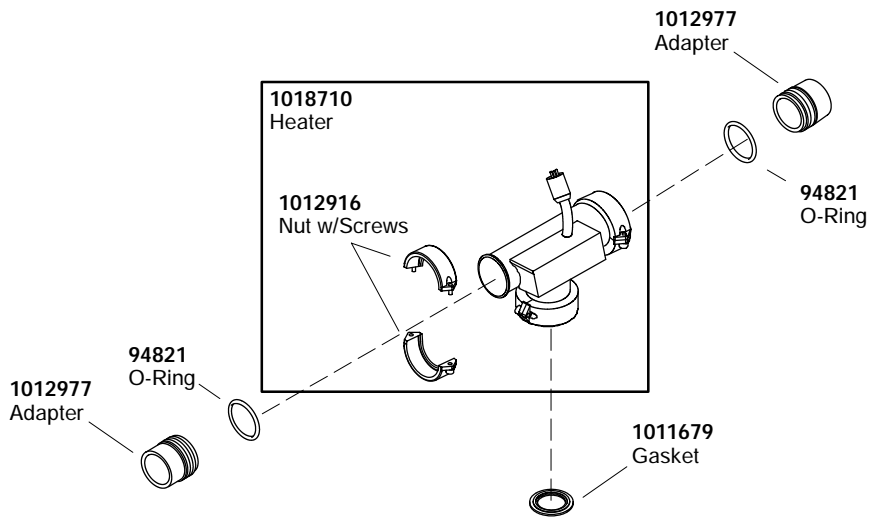
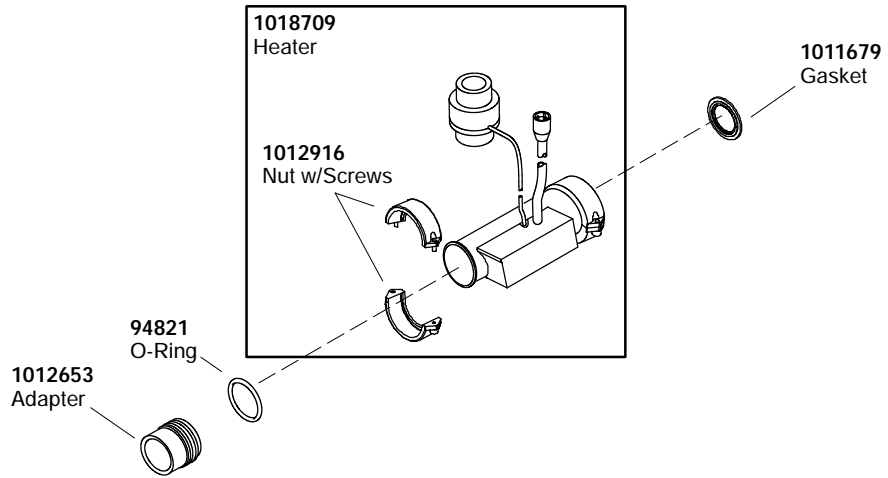
\*\*Finish/color code must be specified when ordering.



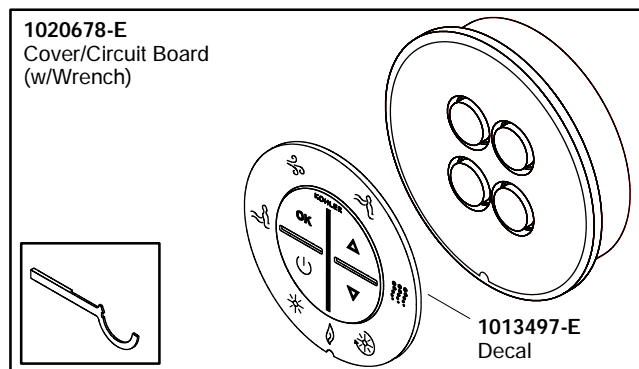
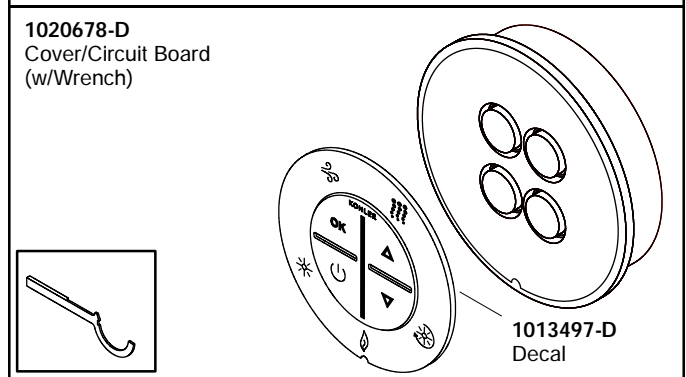
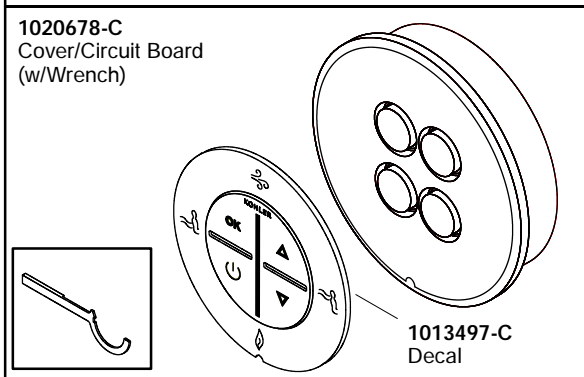
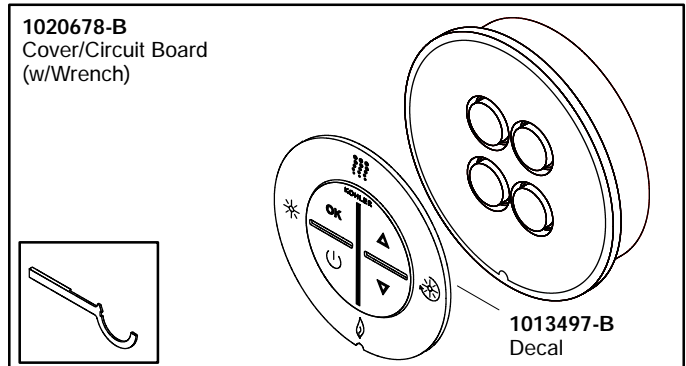
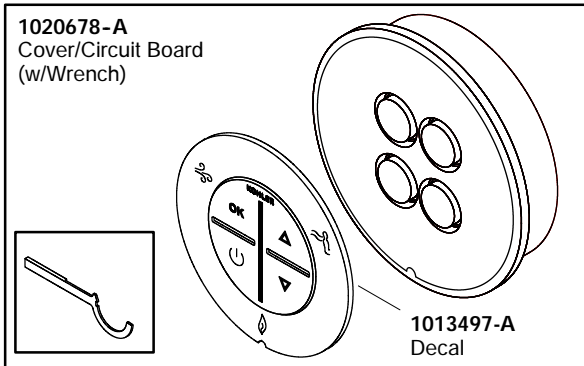
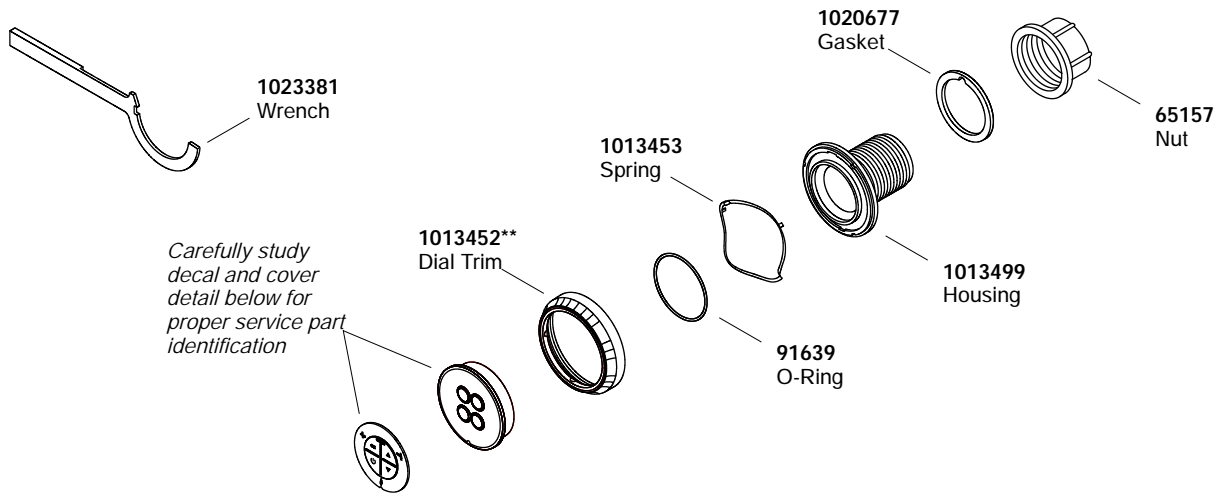
**\*\*Finish/color code must be specified when ordering.**



**\*\*Finish/color code must be specified when ordering.**

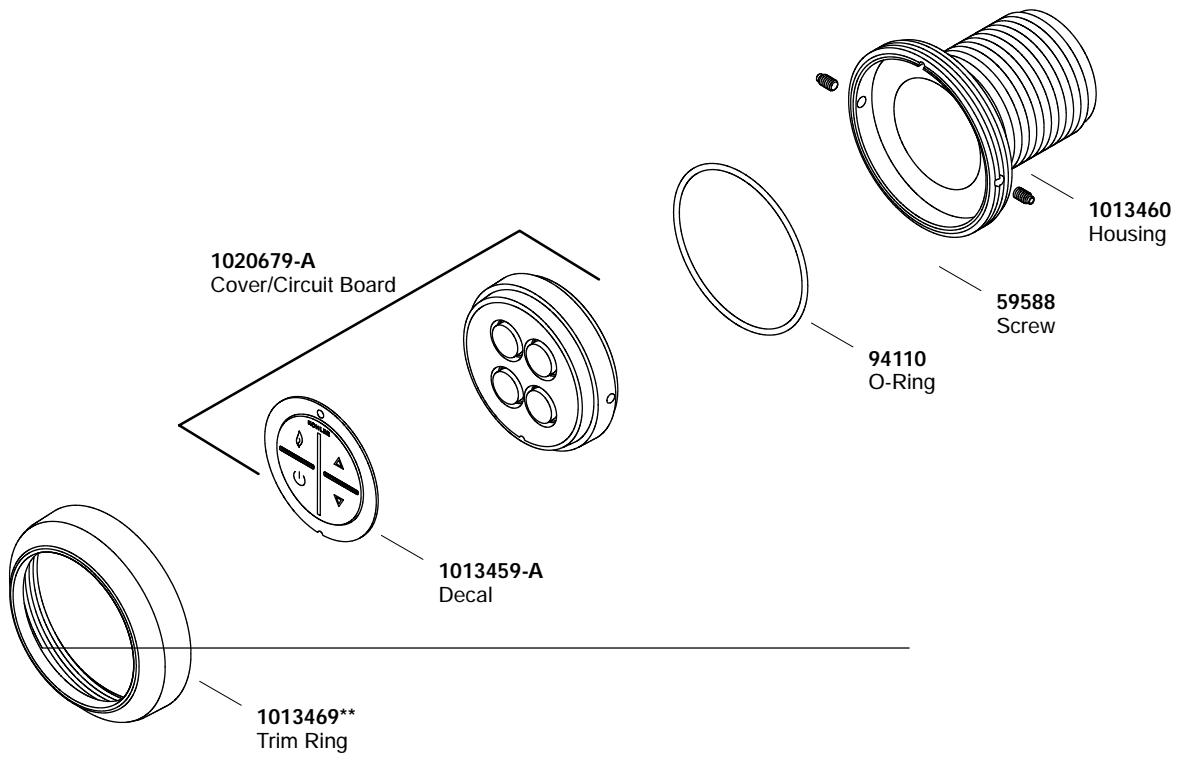


**\*\*Finish/color code must be specified when ordering.**

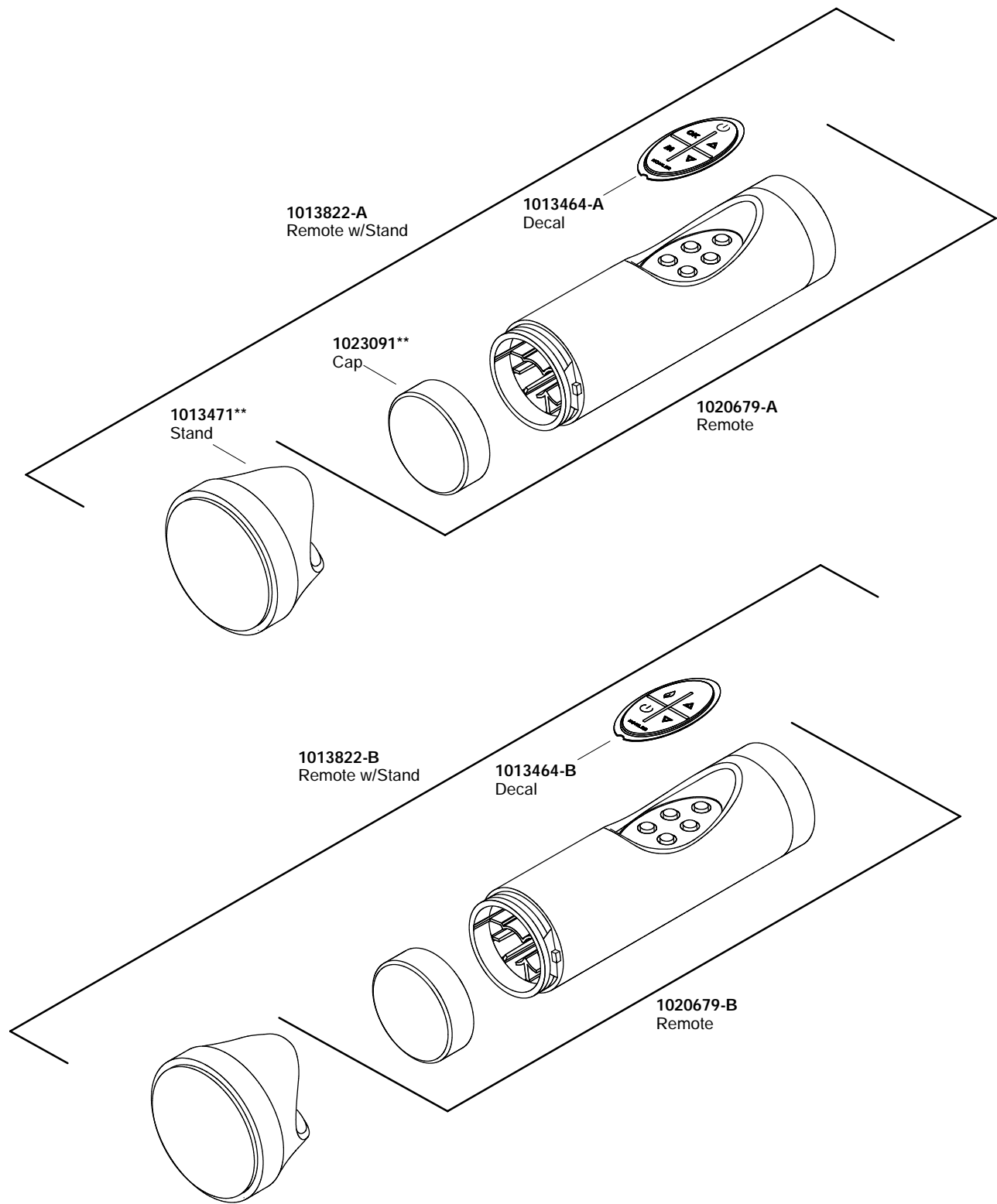


\*\*Finish/color code must be specified when ordering.





**\*\*Finish/color code must be specified when ordering.**




**\*\*Finish/color code must be specified when ordering.**


# Guide d'utilisation


## Baignoire d'hydromassage


### Instructions de fonctionnement


#### CONSIGNES RELATIVES AUX RISQUES D'INCENDIE, D'ÉLECTROCUTION OU DE BLESSURES CORPORELLES LIRE ET SUIVRE LES INSTRUCTIONS

 **AVERTISSEMENT : Des précautions de base doivent être observées au cours de l'utilisation d'équipements électriques, y compris ce qui suit :**

 **DANGER : Risque de blessure.** Afin de réduire les risques de blessure, ne jamais permettre à un enfant d'utiliser l'unité sans être surveillé de près en tout temps.

 **AVERTISSEMENT : Risque de blessure.** Pour éviter des blessures corporelles, faire attention en rentrant dans l'unité et en y sortant.

 **AVERTISSEMENT : Risque de chocs électriques.** Ne pas raccorder des appareils électromécaniques (tels que sèche-cheveux, lampes, téléphone, radios ou télévisions) à moins de 5 pi (1,5 m) de la baignoire.

 **AVERTISSEMENT : Risque d'hyperthermie.** Les personnes sous médicaments ou qui sont en observation médicale doivent consulter leur médecin avant d'utiliser des baignoires d'hydromassage équipées de chauffe-eau.

Une borne de terre est incluse dans le compartiment de câblage. Pour réduire les risques de choc électrique, raccorder la borne à la terre du panneau de service électrique, avec un fil ayant le même calibre que le fil conducteur qui alimente cette baignoire d'hydromassage.

Un connecteur à pression par câbles est prévu à l'extérieur de la pompe ou de la commande de cet appareil afin de permettre le raccord d'un conducteur de raccordement entre l'appareil et les surfaces de métal à découvert situées dans la proximité, tel que requis pour satisfaire aux exigences locales.

Utiliser uniquement cette baignoire conformément à son utilisation prévue. Ne pas utiliser des accessoires non recommandés par le fabricant.


Ne pas faire tomber ou insérer aucun objet dans des ouvertures.

Ne pas utiliser cette unité sans les protecteurs (couvercles) sur les raccords d'aspiration.

La baignoire d'hydromassage doit être raccordée uniquement à une prise à la terre, protégée par un disjoncteur différentiel ou de fuite. L'installateur doit fournir les disjoncteurs de fuite à la terre de ce type, lesquels devraient être vérifiés régulièrement. Pour vérifier le disjoncteur, appuyer sur le bouton d'essai.

Le disjoncteur devrait couper l'alimentation. Enfoncer le bouton de remise en circuit. L'alimentation devrait être rétablie. Si le disjoncteur de fuite à la terre ne fonctionne pas de cette façon, il est défectueux. Si le disjoncteur coupe l'alimentation de la baignoire sans que l'on ait appuyé sur le bouton d'essai, c'est qu'il y a un courant à la terre qui circule, ce qui indique la possibilité d'un choc électrique. Ne pas utiliser cette baignoire d'hydromassage. Débrancher la baignoire d'hydromassage et ne pas l'utiliser avant qu'un technicien qualifié n'ait corrigé le problème.

#### CONSERVER CES INSTRUCTIONS

 **AVERTISSEMENT : L'alcool, les drogues ou les médicaments peuvent augmenter considérablement le risque d'hyperthermie fatale.**

L'immersion prolongée dans l'eau chaude peut provoquer l'hyperthermie. L'hyperthermie survient lorsque la température interne du corps s'élève à plusieurs degrés au-dessus de la température normale de 98,6°F (37°C). Les symptômes de l'hyperthermie comprennent une hausse de la température interne du corps, l'étourdissement, la léthargie, la somnolence et l'évanouissement. Les effets de l'hyperthermie comprennent : (a) l'insensibilité à la chaleur, (b) le défaut de reconnaître la nécessité de sortir du bain, (c) l'inconscience du danger imminent, (d) l'atteinte fœtale chez les femmes enceintes, (e) l'incapacité physique de sortir du bain, et (f) l'inconscience et le risque de noyade qui en résulte.

**IMPORTANT !** Rincer le système d'hydromassage deux fois par mois ou plus souvent selon la fréquence d'usage, tel que décrit à la Page 23.

Ne pas permettre que la température de la baignoire dépasse 104°F (40°C).

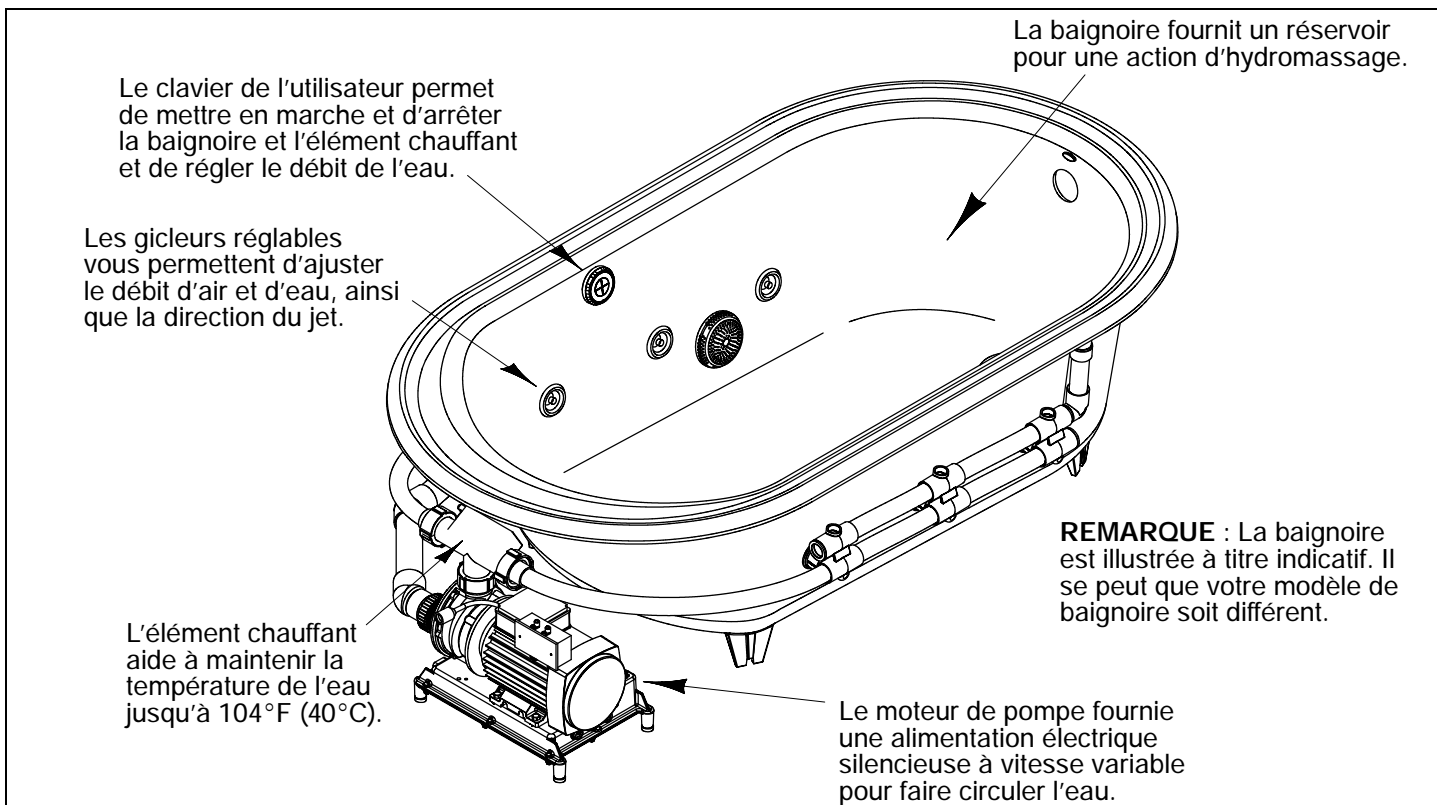
Ne pas laisser de petits objets ou des jouets pour le bain dans la baignoire d'hydromassage lorsque celle-ci est en marche.

L'utilisation régulière de produits d'hygiène et de beauté contenant des huiles peut endommager les composants en plastique de votre baignoire d'hydromassage. Ne pas utiliser de shampoings ou d'huiles de bain lourds à base végétale.

L'action de la baignoire d'hydromassage peut faire mousser même une très petite quantité de produit moussant, de savon, de shampoing ou d'huile pour le bain. Pour cette raison, éviter l'utilisation de ces produits pendant le fonctionnement de la baignoire d'hydromassage.

# Sommaire

Merci .....	21
Votre Baignoire d'hydromassage Kohler .....	21
Clavier de l'utilisateur et modes/ fonctions de la baignoire d'hydromassage .....	22
Fonctionnement de la baignoire d'hydromassage ..	22
Entretien et nettoyage .....	23
Garantie d'un an - É.-U. et Canada .....	24
Garantie d'un an - Mexique .....	25
Dépannage .....	25



## Merci d'avoir opté pour les produits de la Société Kohler

Merci d'avoir opté pour la ligne The Bold Look of Kohler. Le savoir faire de Kohler offre une combinaison rare de rendement éprouvé et de raffinement élégant qui saura vous satisfaire des années durant. La fiabilité et l'esthétique de votre baignoire d'hydromassage sauront répondre à vos plus grandes attentes. Chez Kohler, nous sommes très fiers de nos baignoires d'hydromassage et sommes rassurés que vous le serez aussi.

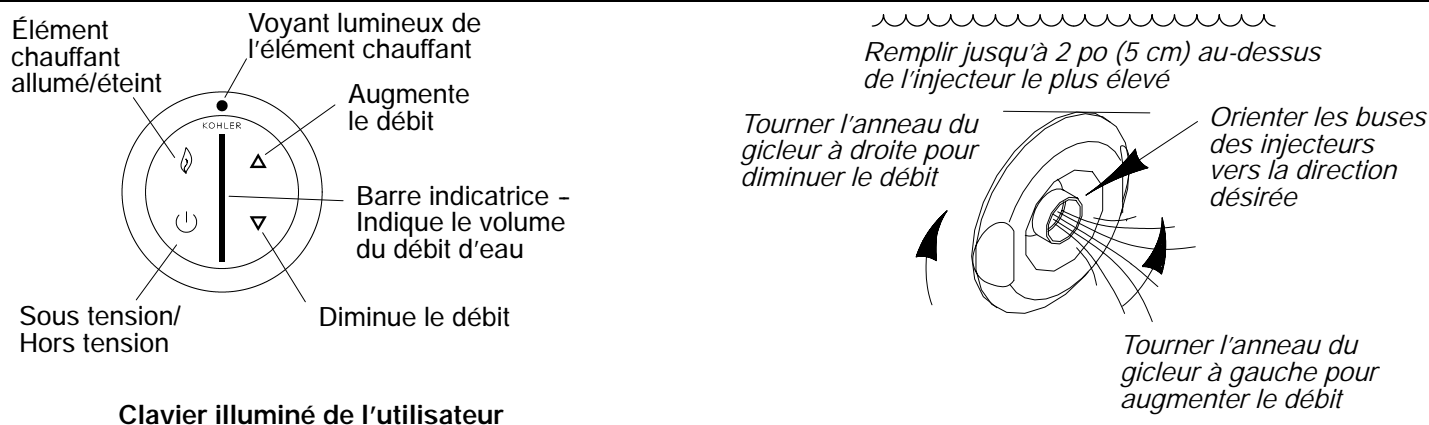
Veillez lire attentivement ce guide avant d'utiliser cette baignoire d'hydromassage. Prêtez une attention particulière aux instructions d'entretien et de nettoyage de la Page 23.

Tous les renseignements figurant dans ce guide proviennent des plus récentes données disponibles sur les produits au moment d'aller sous presse. Chez Kohler, nous tentons toujours d'améliorer nos produits. Nous nous réservons le droit d'apporter des modifications aux caractéristiques des produits, à l'emballage ou à la disponibilité en tout temps sans préavis.

## Votre baignoire d'hydromassage Kohler

Votre nouvelle baignoire d'hydromassage a été conçue pour vous stimuler le corps et lui donner de la vigueur et de l'énergie par un traitement d'hydromassage qui soulage. La baignoire d'hydromassage est formée des composantes suivantes :

- **Baignoire**- qui agit comme réservoir d'eau pour une action d'hydromassage.
- **Clavier de l'utilisateur** - situé à portée de la main, le clavier vous permet de mettre en fonction et d'arrêter la baignoire et l'élément chauffant et de régler le jet d'eau des gicleurs.
- **Moteur de pompe** - qui fournit une alimentation électrique silencieuse à vitesse variable pour faire circuler l'eau en créant l'action apaisante d'hydromassage.
- **Gicleurs réglables** - positionnés de manière stratégique pour créer un effet hydromassage optimisé, ils vous permettent d'ajuster le débit d'air et d'eau, ainsi que la direction du jet.
- **Élément chauffant** - conçu pour aider automatiquement à maintenir la température de l'eau jusqu'à 104°F (40°C) pour que votre séance d'hydromassage soit plus agréable. L'élément chauffant s'allume automatiquement lorsque la baignoire est en fonction et s'éteint quand le moteur de la pompe s'arrête. Pendant le fonctionnement de la pompe, on peut éteindre l'élément chauffant à n'importe quel moment à l'aide du clavier.



## Clavier de l'utilisateur et modes/fonctions de la baignoire d'hydromassage

- **Pompe** - met en marche ou arrête la pompe de la baignoire d'hydromassage.
- **Touche de déplacement vers le haut** - Augmente le débit d'eau.
- **Touche de déplacement vers le bas** - Réduit le débit d'eau.
- **Élément chauffant** - L'élément chauffant s'allume automatiquement quand on met en marche la baignoire. On peut l'éteindre en appuyant sur le bouton de l'élément chauffant. Pour rallumer l'élément chauffant, appuyer sur le bouton une deuxième fois.
- **Barre indicatrice** - Indique le volume du débit d'eau.

## Fonctionnement de la baignoire d'hydromassage

- Orienter les buses des injecteurs vers le bas. Tourner les anneaux enjoliveurs complètement à gauche.
 

**REMARQUE :** La température de l'eau de la baignoire ne devrait jamais dépasser 104°F (40°C). Un élément chauffant intégré maintient automatiquement la température de l'eau pendant le fonctionnement de la baignoire, pourvu que cette température ne dépasse pas 104°F (40°C). L'élément chauffant s'éteindra à des températures plus élevées.
- Fermer l'orifice d'évacuation et remplir la baignoire jusqu'à au moins 2 po (5 cm) au-dessus de la buse la plus élevée. Pour être à l'aise et en sécurité, vérifiez la température de l'eau en y mettant la main. Ensuite, entrer doucement dans le bain.
- Actionner le bouton Power pour activer la baignoire d'hydromassage. La baignoire d'hydromassage commencera à fonctionner à volume moyen. L'élément chauffant s'allumera et l'icône de l'élément chauffant s'éclairera.
- Augmenter ou diminuer le débit d'eau en enfonçant la touche de déplacement vers le haut ou vers le bas. Une barre indicatrice située au centre du clavier indique le volume du débit d'eau.
- Régler les gicleurs de façon à obtenir un mélange optimal d'air et d'eau. Tourner l'anneau du gicleur à droite pour réduire le débit, et à gauche pour l'augmenter. Pour profiter au maximum de la séance d'hydromassage, positionner les buses des injecteurs pour donner la direction voulue au jet d'eau.
- L'élément chauffant s'allume automatiquement quand on met en marche la baignoire. On peut l'éteindre en appuyant sur le bouton de l'élément chauffant quand le mode élément chauffant est activé. Pour rallumer l'élément chauffant, appuyer sur le bouton une deuxième fois.
- Enfoncer une deuxième fois le bouton Power pour arrêter la baignoire d'hydromassage.
 

**REMARQUE :** La baignoire d'hydromassage s'arrêtera automatiquement après environ 20 minutes de fonctionnement continu. On peut la remettre en marche, si l'on veut, en appuyant sur Power.
- Sortir doucement de la baignoire et évacuer la cuve.
 

**REMARQUE :** Si la baignoire d'hydromassage ne fonctionne pas de façon adéquate, se reporter au tableau de dépannage à la Page 25.

## Entretien et nettoyage

### Nettoyage de la baignoire d'hydromassage en acrylique

- Ne pas** utiliser de nettoyants abrasifs ou de solvants sur les surfaces acryliques.
- Essuyez la baignoire d'hydromassage en acrylique avec un linge doux après chaque utilisation.
- Éviter les détergents, les désinfectants ou les produits de nettoyage en aérosol.
- Si la surface devient excessivement sale, on peut utiliser un nettoyant tout usage tel que : nettoyant tout usage Formula 409®, Gel Gloss® (pour le bain et la douche seulement), détachant pour les taches de moisissure Scrub Free®, Mr. Clean Lemon Fresh, Cinch®, Glass Plus®, ou Fantastik® tout usage.

**REMARQUES :** Pour remettre à neuf des surfaces ternies ou égratignées : Appliquer à l'aide d'un chiffon propre un agent de polissage blanc pour automobiles. Frotter vigoureusement les égratignures et les zones ternes. Essuyer les résidus. Ensuite, mettre une couche de cire en pommade blanche pour les automobiles. Ne pas cirer des zones où l'on marche ou l'on s'assoit.

### Nettoyer le clavier de l'utilisateur et la télécommande

- Utiliser un chiffon mou pour essuyer le clavier et la télécommande après chaque utilisation. Si la surface devient sale, utiliser pour la nettoyer un savon non abrasif et de l'eau chaude.

### Rinçage du système d'hydromassage

Rincer le système d'hydromassage deux fois par mois ou plus souvent selon la fréquence d'utilisation. Suivre la séquence suivante :

- Tourner les anneaux du gicleur complètement dans le sens horaire pour éliminer l'admission d'air.
- Remplir la baignoire d'eau chaude jusqu'à au moins 2 po (5 cm) au-dessus de la buse la plus élevée, ou laisser de l'eau dans la baignoire après l'utilisation.
- Ajouter à l'eau deux 2 cuillerées à soupe (30 ml) de détergent pour lave-vaisselle peu moussant et 20 onces (590 ml) de javellisant domestique (5 % - 6% d'hypochlorite de sodium).
- Faire fonctionner la baignoire d'hydromassage pendant 5 à 10 minutes. Arrêter et vider la baignoire.
- Si désiré, rincer avec de l'eau les surfaces du bain.
- Rincer les surfaces des gicleurs, le robinet, les barres d'appui, le drain, etc. et assécher avec un linge doux.

## Garantie limitée d'un an

### Seulement pour les Etats-Unis et le Canada

Les robinets, meubles et accessoires KOHLER® sont garantis contre tout défaut de matériel et de fabrication pour un an, à partir de la date d'installation.

À son choix, la société Kohler décidera de réparer, remplacer ou effectuer les réglages appropriés au produit, dans le cas où les services d'inspection de la société Kohler décèlent des défauts de fabrication qui se sont manifestés au cours d'une année d'exploitation normale. La société Kohler n'est pas responsable des coûts d'installation ou de démontage.

Pour vous prévaloir des services offerts en vertu de cette garantie, veuillez contacter la société Kohler par l'intermédiaire de votre concessionnaire, entrepreneur plombier, centre de rénovation ou cyberrevendeur, ou bien par écrit à : Kohler Co., Attn.: Customer Service Department, 444 Highland Drive, Kohler, WI 53044, USA, ou en composant le 1-800-4-KOHLER à partir des Etats-Unis ou le 1-800-964-5590 au Canada.

**La durée des toutes les garanties tacites, y compris celles de qualité marchande et d'aptitude à un emploi particulier, se limite expressément à la durée de la présente garantie. La société Kohler décline toute responsabilité contre les dommages accessoires ou indirects.** Certains états ou provinces ne permettent pas la délimitation de la durée d'une garantie tacite, ni l'exclusion ou la délimitation des dommages accessoires ou indirects, de sorte que la délimitation ou l'exclusion ci-dessus pourrait ne pas s'appliquer dans votre cas. La présente garantie vous donne des droits particuliers reconnus par la loi. Vous pouvez également avoir d'autres droits qui varient d'un état à l'autre ou d'une province à l'autre.

**Ceci constitue notre garantie écrite exclusive.**

### Remarques :

1. Il se peut que les couleurs des produits illustrés dans catalogue présentent quelques variations par rapport aux couleurs réelles.
2. La société Kohler se réserve le droit d'apporter des modifications aux caractéristiques, conditionnement et disponibilité des produits en tout temps et sans avis.

COPYRIGHT © 1999, 2000, 2001, 2002 PAR KOHLER CO.



## Procédures de dépannage

Ce guide de dépannage est destiné à procurer une aide générale seulement. Un technicien autorisé de Kohler ou un électricien compétent devraient voir à la réparation de tout problème électrique. Pour une réparation sous garantie, communiquer avec le concessionnaire ou le distributeur.

### Tableau de dépannage du système d'hydromassage

Symptômes	Causes probables	Action recommandée
1. Le clavier de l'utilisateur ne s'allume pas quand on appuie sur le bouton Power ou quand on tourne le cadran extérieur.	A. La commande n'est pas alimentée.	A. Vérifier le câblage et brancher à la source d'alimentation. Si le problème persiste, contacter l'installateur/le concessionnaire.
	B. Le disjoncteur différentiel ou de fuite a été activé.	B. Remettre le disjoncteur différentiel ou de fuite dans la position initiale.
	C. Le faisceau de fils qui relie le clavier à la commande est mal fixé, débranché ou endommagé.	C. Vérifier le câblage pour voir si le raccordement est correct. Au besoin, remplacer le faisceau de fils. Se reporter à l'installateur ou au détaillant.
	D. Clavier de l'utilisateur défectueux.	D. Remplacer le clavier de l'utilisateur. Se reporter à l'installateur ou au détaillant.
	E. Commande défectueuse.	E. Remplacer la commande. Se reporter à l'installateur ou au détaillant.
2. Le moteur démarre, mais aucune buse ne fonctionne.	A. La buse est fermée.	A. Tourner l'anneau de gicleur à gauche pour ouvrir.
	B. La buse n'est pas installée correctement.	B. Réinstaller le gicleur. S'assurer que le joint torique n'est pas endommagé.
	C. Les buses sont bouchées.	C. Dégager ce qui bouche.
3. Le clavier de l'utilisateur est allumé, mais ne réagit pas quand on actionne les boutons ou le cadran.	A. Le programme de commande est bloqué.	A. Remettre le disjoncteur différentiel ou de fuite dans la position initiale.
	B. Le faisceau de fils qui relie le clavier à la commande est mal fixé, débranché ou endommagé.	B. Vérifier le câblage pour voir si le raccordement est correct. Au besoin, remplacer le faisceau de fils. Se reporter à l'installateur ou au détaillant.
	C. Clavier de l'utilisateur défectueux.	C. Remplacer le clavier de l'utilisateur. Se reporter à l'installateur ou au détaillant.
	D. Commande défectueuse.	D. Remplacer la commande. Se reporter à l'installateur ou au détaillant.
4. La barre indicatrice située sur le clavier de l'utilisateur passe sans cesse d'un indicateur à l'autre quand l'appareil est mis sous tension.	A. Le programme de commande est bloqué.	A. Remettre le disjoncteur différentiel ou de fuite dans la position initiale.
	B. Le faisceau de fils qui relie le clavier à la commande est mal fixé, débranché ou endommagé.	B. Vérifier le câblage pour voir si le raccordement est correct. Au besoin, remplacer le faisceau de fils. Se reporter à l'installateur ou au détaillant.
	C. Clavier de l'utilisateur défectueux.	C. Remplacer le clavier de l'utilisateur. Se reporter à l'installateur ou au détaillant.
	D. Commande défectueuse.	D. Remplacer la commande. Se reporter à l'installateur ou au détaillant.
5. Le clavier de l'utilisateur est illuminé, mais la pompe ne démarre pas.	A. Le cordon d'alimentation qui relie la pompe à la commande est mal fixé, débranché ou endommagé.	A. Vérifier le câblage pour voir si le raccordement est correct. Si le problème persiste, se reporter à l'installateur ou au détaillant.
	B. Pompe défectueuse.	B. Remplacer la pompe. Se reporter à l'installateur ou au détaillant.
	C. Commande défectueuse.	C. Remplacer la commande. Se reporter à l'installateur ou au détaillant.
6. Le moteur fonctionne, mais la pompe ne s'amorce pas (pompe cavitante).	A. La pompe est en position trop élevée.	A. Abaisser la commande de pompe au niveau du sous-plancher.
	B. Petite fuite d'air à l'orifice d'admission de la pompe.	B. Bien serrer l'écrou, ou les écrous, qui se trouve(nt) sur le côté de l'admission de la pompe.
	C. Défectuosité du moteur/de la pompe.	C. Remplacer le moteur/la pompe. Se reporter à l'installateur ou au détaillant.
	D. Commande défectueuse.	D. Remplacer la commande. Se reporter à l'installateur ou au détaillant.

### Tableau de dépannage (suite)






7. La pompe s'arrête avant 18 minutes.	A. Le disjoncteur différentiel ou de fuite a été activé.	A. Identifier la source de la défectuosité et la corriger. Remettre le disjoncteur différentiel ou de fuite dans la position initiale.
	B. La conduite d'aspiration du débit est bloquée.	B. Éliminer l'obstruction.
	C. Les buses sont bouchées.	C. Dégager ce qui bouche.
	D. Le moteur est surchauffé et le disjoncteur est activé.	D. Vérifier si les ventouses et/ou les buses sont bloquées. Enlever l'obstruction et laisser refroidir le moteur.
8. La pompe ne s'arrête pas automatiquement après 22 minutes.	A. La minuterie de 20 minutes a été désactivée par erreur.	A. Voir le manuel d'entretien.
9. La pompe ne s'arrête pas quand on appuie sur le bouton d'arrêt situé sur le clavier de l'utilisateur.	A. Clavier de l'utilisateur défectueux.	A. Remplacer le clavier de l'utilisateur. Se reporter à l'installateur ou au détaillant.
	B. Commande défectueuse.	B. Remplacer la commande. Se reporter à l'installateur ou au détaillant.
10. La pompe fonctionne, mais la fonction de vitesse variable ne fonctionne pas.	A. Défectuosité du moteur/ de la pompe.	A. Remplacer le moteur/la pompe. Se reporter à l'installateur ou au détaillant.
	B. Commande défectueuse.	B. Remplacer la commande. Se reporter à l'installateur ou au détaillant.
11. L'eau du bain se refroidit pendant que la pompe fonctionne.	A. La température de l'eau dépasse 104°F (40°C).	A. Laisser refroidir l'eau du bain.
	B. Sur le clavier de l'utilisateur, l'élément chauffant est éteint.	B. Allumer l'élément chauffant.
	C. Le faisceau de fils qui relie l'élément chauffant à la commande est mal fixé, débranché ou endommagé.	C. Vérifier le câblage pour voir si le raccordement est correct. Se reporter à l'installateur ou au détaillant.
	D. Élément chauffant défectueux.	D. Remplacer l'élément chauffant. Se reporter à l'installateur ou au détaillant.
	E. Commande défectueuse.	E. Remplacer la commande. Se reporter à l'installateur ou au détaillant.
12. Le fonctionnement est bruyant.	A. Les sangles de retenue de la pompe n'ont pas été coupées.	A. Couper les sangles de retenue avec une cisaille de ferblantier.
	B. Joint torique sec ou mal logé (sifflement).	B. Retirer le gicleur, remplacer et lubrifier le joint torique. Réinstaller le gicleur.
13. La télécommande (si installée) ne fonctionne pas.	A. Piles incorrectement installées ou déchargées.	A. Remplacer les piles.
	B. L'antenne située sur le faisceau de fils est endommagée.	B. Remplacer le faisceau de fils. Se reporter à l'installateur ou au détaillant.
	C. La télécommande n'est pas programmée correctement.	C. Voir le guide d'utilisation ou le manuel d'entretien.
	D. Télécommande défectueuse.	D. Remplacer la télécommande.
	E. Commande défectueuse.	E. Remplacer la commande. Se reporter à l'installateur ou au détaillant.

# Guía del usuario

## Bañera de Hidromasaje

### Instrucciones de funcionamiento


#### INSTRUCCIONES RELATIVAS A RIESGOS DE INCENDIO, DESCARGA ELÉCTRICA O LESIONES PERSONALES LEA Y SIGA TODAS LAS INSTRUCCIONES

-  **ADVERTENCIA:** Siga las siguientes medidas de seguridad básicas al emplear artefactos eléctricos:
-  **PELIGRO: Riesgo de lesiones personales.** Para reducir el riesgo de lesiones, no permita que los niños usen esta unidad sin estricta supervisión.
-  **ADVERTENCIA: Riesgo de lesiones personales.** Para evitar lesiones, tenga cuidado al entrar y salir de la bañera de hidromasaje.
-  **ADVERTENCIA: Riesgo de descarga eléctrica.** No coloque artefactos eléctricos (tales como secador de cabello, lámparas, teléfono, radio o televisión) a menos de 5' (1,5m) de la bañera de hidromasaje.
-  **ADVERTENCIA: Riesgo de hipertermia.** Las personas bajo tratamiento médico o que padecen algún trastorno de salud deben consultar con un médico antes de emplear una bañera de hidromasaje equipada con calentador.

En el compartimiento de conexiones de terreno se encuentra un terminal para la conexión a tierra del equipo. Para reducir el riesgo de descarga eléctrica, se debe conectar el terminal a tierra en el panel de suministro eléctrico con un conductor del mismo tamaño que los conductores del circuito que alimentan esta bañera de hidromasaje.

En la parte exterior de la bomba o control de esta unidad se incluye un conector de conductor de presión, para permitir la conexión de un conductor sólido de cobre entre esta unidad y cualquier metal expuesto en las proximidades de la unidad, tal como se requiere para cumplir con las normas locales.

### GUARDE ESTAS INSTRUCCIONES

-  **ADVERTENCIA: El uso de alcohol, drogas o medicamentos puede aumentar en gran medida el riesgo de hipertermia fatal.**

La inmersión prolongada en agua caliente puede provocar hipertermia. La hipertermia se produce cuando la temperatura interna del cuerpo alcanza un nivel de varios grados por encima de la temperatura normal del cuerpo de 98,6°F (37°C). Los síntomas de la hipertermia pueden ser el aumento de la temperatura interna del cuerpo, mareos, letargo, somnolencia y desvanecimiento. Los efectos de la hipertermia incluyen: (a) la imposibilidad de percibir el calor, (b) la imposibilidad de percibir la necesidad de salir del baño, (c) la falta de conciencia del daño inminente, (d) el daño al feto en mujeres embarazadas, (e) la imposibilidad física de salir del baño y (f) la pérdida del conocimiento que puede acarrear el peligro de ahogarse.

Use esta bañera de hidromasaje sólo para su propósito tal como se describe en este manual. No utilice acoples que no sean los recomendados por el fabricante.

No deje caer ni introduzca objetos en ninguna de las aberturas.

No permita que esta unidad funcione sin el resguardo (tapa) en el dispositivo de succión.

La bañera de hidromasaje debe estar conectada únicamente a un circuito de suministro que esté protegido por un disyuntor diferencial GFCI o ELCB. El instalador deberá suministrar dicho disyuntor y éste deberá ser probado periódicamente. Para probar el disyuntor, presione el botón de prueba. El disyuntor debe interrumpir el suministro eléctrico. Presione el botón de restablecer. El suministro eléctrico debe restablecerse. Si el disyuntor diferencial no funciona de esta manera es porque falla. Si el disyuntor diferencial interrumpe el suministro de electricidad a la bañera sin que se haya presionado el botón de prueba, hay una corriente de retorno por tierra, lo que indica la posibilidad de una descarga eléctrica. No utilice esta bañera de hidromasaje. Desconéctela y llame a un representante de servicio calificado para que resuelva el problema antes de usarla.

**¡IMPORTANTE!** Enjuague el sistema de hidromasaje dos o más veces al mes, según el uso, tal como se describe en la Página 31.

La temperatura del agua de la bañera no debe exceder los 104°F (40°C).

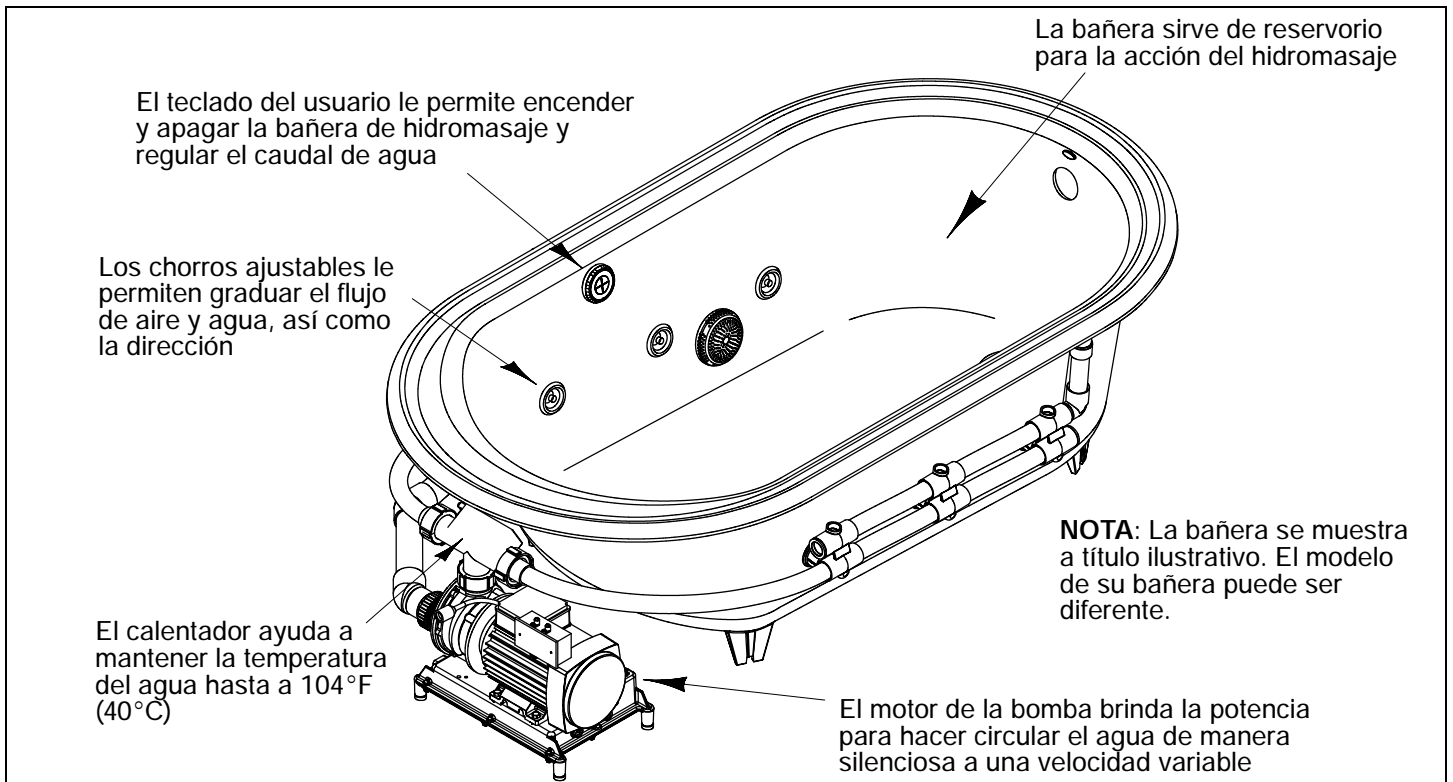
Mantenga objetos pequeños como juguetes y accesorios del baño fuera de la bañera de hidromasaje cuando esté en funcionamiento.

El uso constante de productos personales que contienen aceites puede dañar los componentes plásticos de la bañera de hidromasaje. No utilice champúes o aceites de baño pesados a base de vegetales.

La acción del hidromasaje puede provocar que la espuma de baño, el champú, el jabón o el aceite de baño produzcan demasiada espuma. Por esta razón, no utilice estos productos durante el funcionamiento del hidromasaje.

# Tabla de Contenido

Gracias .....	29
Su bañera de hidromasaje Kohler .....	29
Tablero del usuario y Modos/ Características de la bañera de hidromasaje .....	30
Funcionamiento de la bañera de hidromasaje .....	30
Cuidado y limpieza .....	31
Garantía de un año - Estados Unidos y Canadá ...	32
Garantía de un año - México .....	33
Solución de fallas .....	34



## Gracias por elegir los productos de Kohler

Gracias por escoger el Estilo Audaz de Kohler. Los productos fabricados por Kohler ofrecen una exclusiva combinación de funcionalidad comprobada y graciosa elegancia que lo dejará satisfecho durante años. La confiabilidad y belleza de su nueva bañera de hidromasaje Kohler superará sus expectativas más altas. En Kohler Company estamos muy orgullosos de nuestras bañeras de hidromasaje y sabemos que usted también lo estará.

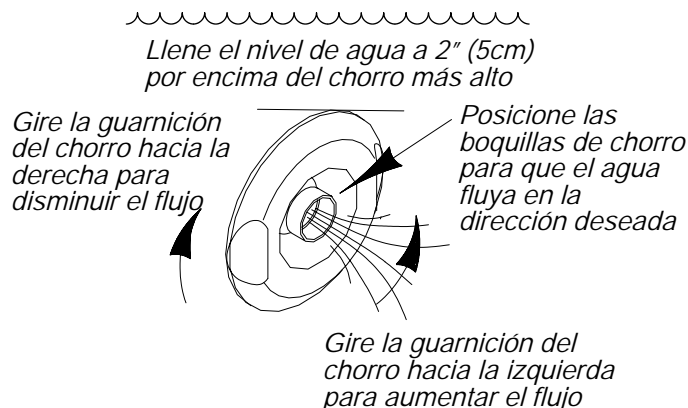
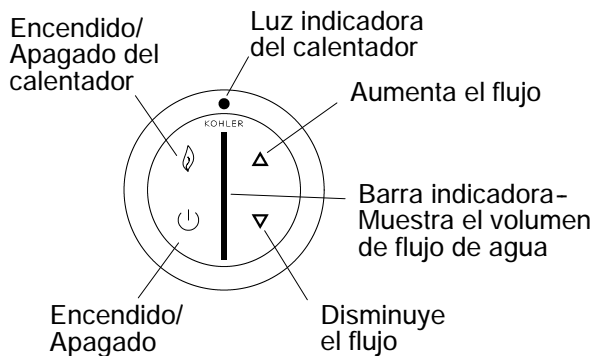
Tómese unos minutos para estudiar esta Guía del Usuario antes de utilizar su nueva bañera de hidromasaje Kohler. Preste especial atención a las instrucciones de Cuidado y Limpieza de la página 31.

La totalidad de este manual se basa en la última información del producto disponible al momento de la publicación. En Kohler, nos esforzamos constantemente por mejorar la calidad de nuestros productos. Nos reservamos el derecho de modificar las características, el empaque o la disponibilidad del producto en cualquier momento y sin previo aviso.

## Su bañera de hidromasaje Kohler

Su nueva bañera de hidromasaje está diseñada para estimular, fortalecer y energizar su cuerpo por medio de una reconfortante terapia de hidromasaje. La bañera de hidromasaje está compuesta por lo siguiente:

- **La bañera** - que sirve de reservorio para el agua y suministra el lugar para la acción del hidromasaje.
- **El teclado del usuario** - que está ubicado en un lugar de fácil acceso, le permite encender y apagar la bañera de hidromasaje y el calentador y regular el caudal de agua de los chorros.
- **El motor de la bomba** - que brinda la potencia para hacer circular el agua de manera silenciosa a una velocidad variable y crea la acción calmante del hidromasaje.
- **Los chorros ajustables** - colocados de manera de optimizar el efecto del hidromasaje, que permiten controlar el flujo de aire y agua, así como la dirección del flujo.
- **Calentador** - diseñado para ayudar a mantener automáticamente la temperatura del agua a hasta 104°F (40°C) para mejorar su hidromasaje. El calentador se enciende automáticamente cuando está funcionando la bañera de hidromasaje y se apaga cuando se apaga el motor de la bomba. Se puede apagar el calentador en cualquier momento mientras la bomba está en funcionamiento por medio del teclado.



### Teclado del usuario con luces

## Teclado del usuario y Modos/Características de la bañera de hidromasaje

- **Encendido** - Enciende y apaga la bomba de la bañera de hidromasaje.
- **Flecha ascendente** - Aumenta el caudal de agua.
- **Flecha descendente** - Disminuye el caudal de agua.
- **Calentador** - El calentador se acciona automáticamente cuando la bañera de hidromasaje se enciende. Puede apagar el calentador presionando el botón del calentador. Presione el botón nuevamente para volver a encender el calentador.
- **Barra indicadora** - Muestra el volumen de flujo de agua.

## Funcionamiento de la bañera de hidromasaje

- Dirija las boquillas de chorro hacia abajo apuntando a la pileta. Gire las guarniciones de chorro completamente hacia la izquierda.  
**NOTA:** La temperatura del agua de la bañera de hidromasaje no debe exceder los 104°F (40°C). Un calentador incorporado mantiene automáticamente la temperatura del agua cuando la bañera de hidromasaje está funcionando, mientras la temperatura del agua no exceda los 104°F (40°C). El calentador se apagará a temperaturas más altas.
- Tape el drenaje y llene la bañera de hidromasaje a por lo menos 2" (5cm) por encima del chorro más alto. Use la mano para probar la temperatura del agua que le resulte más cómoda y segura. Luego entre a la bañera con cuidado.
- Presione el botón de Encendido para encender la bañera de hidromasaje. Ésta comenzará a medio volumen. Se encenderá el calentador y se iluminará el símbolo del calentador.
- Aumente o disminuya el flujo de agua presionando la flecha ascendente o descendente del teclado. La barra indicadora que se encuentra en el centro del teclado muestra el volumen del flujo de agua.
- Ajuste los chorros hasta alcanzar una combinación óptima de aire y agua. Gire la guarnición del chorro hacia la derecha para reducir el flujo y hacia la izquierda para aumentarlo. Dirija las boquillas de chorro en la dirección que desee para mejorar al máximo su hidromasaje.
- El calentador se enciende automáticamente cuando se enciende la bañera. Puede apagarlo presionando el botón del calentador cuando está activo el modo calentador. Presione nuevamente el botón para volver a encenderlo.
- Presione nuevamente el botón de Encendido para apagar la bañera de hidromasaje.  
**NOTA:** La bañera de hidromasaje se detendrá automáticamente luego de aproximadamente 20 minutos de funcionamiento continuo. Si desea volver a encender el hidromasaje, presione Encendido.
- Salga de la bañera con cuidado y abra el drenaje para vaciar la bañera.  
**NOTA:** Si la bañera de hidromasaje no funciona bien consulte la Tabla de Problemas de Reparación de la Página 34.

## Instrucciones de Cuidado y Limpieza

### Limpieza de su bañera de hidromasaje de acrílico

- No** utilice limpiadores abrasivos ni disolventes en las superficies de acrílico.
- Limpie la bañera de hidromasaje de acrílico con un paño suave después de cada uso.
- Evite el uso de detergentes, desinfectantes o productos de limpieza en latas de aerosol.
- Si la superficie está demasiado sucia puede utilizar un limpiador para uso general como: Limpiador multipropósito Formula 409®, Gel Gloss® (Sólo baño y regadera), Removedor de moho Scrub Free®, Mr. Clean Lemon Fresh, Cinch®, Glass Plus® o el multipropósito Fantastik®.

**NOTA:** Para restaurar unidades deslucidas o raspadas: Aplique lustre para automóviles blanco con un trapo limpio. Frote con energía las rayas y zonas deslucidas. Retire el sobrante. Luego pase una capa de cera en pasta para automóviles blanca. No pase cera en las zonas donde se pisa o camina.

### Limpieza del teclado del usuario y el control remoto

- Use un paño suave para limpiar el teclado y el control remoto luego de cada uso. Si la superficie se ensucia, use jabón no abrasivo y agua tibia para limpiarla.

### Enjuague del sistema de su bañera de hidromasaje

Enjuague el sistema del hidromasaje dos o más veces al mes, según el uso. Use la siguiente secuencia:

- Gire los anillos de la guarnición de los chorros totalmente hacia la derecha para eliminar la inducción de aire.
- Llene la bañera con agua tibia a un nivel de 2" (5cm) por encima de los chorros más altos o deje el agua en la bañera luego de usarla.
- Agregue al agua 2 cucharadas (30 ml) de detergente para lavaplatos de baja espuma y 20 onzas (590 ml) de cloro (5% - 6% de hipoclorito de sodio).
- Deje funcionar la bañera de hidromasaje de 5 a 10 minutos. Apáguela y drene.
- Si lo desea, enjuague la superficie de la bañera con agua.
- Enjuague la superficies de los chorros, la grifería, los asideros, el drenaje, etc. y seque con un paño suave.

## Garantía limitada de un año

### Sólo para EE.UU. y Canadá

Se garantiza que los accesorios y la grifería de KOHLER® están libres de defectos de material y fabricación por un año a partir de la fecha de instalación.

Kohler Co., a su elección, reparará, reemplazará o hará los ajustes apropiados en los casos en que la inspección por parte de Kohler Co. demuestre la presencia de cualquier defecto ocurrido durante el uso normal durante un año, a partir de la fecha de la instalación. Kohler Co. no se hará responsable de los costos de remoción e instalación.

Para obtener el servicio de garantía, póngase en contacto con Kohler Co., ya sea a través de su Representante, su Contratista de plomería, su Centro del Hogar o Distribuidor por Internet, o escribiendo a: Kohler Co., Att.: Departamento de Servicio al Cliente, 444 Highland Drive, Kohler, WI 53044, EE.UU. o llame al 1-800-4-KOHLER en EE.UU. o al 1-800-964-5590 en Canadá.

**Las garantías implícitas, incluidas las de comerciabilidad y aptitud para un propósito determinado quedan expresamente limitadas en su duración a la vigencia de esta garantía. Kohler Co. no se hará responsable de daños especiales, incidentales o indirectos.** Algunos estados/provincias no permiten las limitaciones a la vigencia de las garantías implícitas o la exclusión o limitación de los daños espaciales, incidentales o indirectos de modo que es posible que estas limitaciones y exclusiones no sean aplicables en su caso. Esta garantía le otorga derechos específicos. Usted puede tener también otros derechos que difieren según el estado/provincia.

**El presente documento constituye nuestra garantía exclusiva por escrito.**

#### Notas:

1. Puede que haya leves variaciones de color entre las imágenes del catálogo y los accesorios reales.
2. Kohler Co. se reserva el derecho de efectuar cambios en las características del producto, empaque o disponibilidad en cualquier momento, sin previo aviso.

MARCA REGISTRADA © 1999, 2000, 2001, 2002 POR KOHLER CO.



## Garantía de un año - México

KOHLER CO.

Al adquirir el producto, se sugiere verificar que todos los accesorios y componentes contenidos en el empaque estén completos.

Kohler Co. garantiza la falta de defectos de material o fabricación en este producto, por un (1) año, a partir de la fecha de compra que aparece en el recibo de compra.

1. Kohler Co. prestará servicio únicamente en los productos comercializados a través de sus distribuidores autorizados.
2. A fin de obtener el servicio de garantía, por favor presente la factura de compra y la garantía correspondiente.
3. Kohler Co., a través de sus distribuidores autorizados, se compromete a reparar el producto defectuoso o a reemplazarlo por uno nuevo o equivalente (en caso de que el producto haya sido discontinuado) cuando no sea posible la reparación, sin ningún cargo para el consumidor.
4. El tiempo de reparación no excederá de seis (6) semanas, a partir de la fecha de recepción del producto.
5. Se sugiere al consumidor conservar el recibo o factura de compra como protección adicional, pues el mismo puede sustituir a la garantía, en caso de que exista discrepancia en cuanto a la validez de la misma.

### EXCEPCIONES Y RESTRICCIONES

La garantía no tendrá validez en los siguientes casos:

1. Cuando el producto no haya sido operado conforme al instructivo de uso y operación incluido en el manual del usuario o en las instrucciones de instalación y cuando no se hayan observado las recomendaciones y advertencias allí contenidas.
2. Cuando el producto haya sido modificado o desmantelado parcial o totalmente; o haya sido manipulado de manera negligente y, como consecuencia, haya sufrido daños atribuibles al consumidor, persona o talleres no autorizados por Kohler Co.
3. La presente garantía no cubre daños que resulten de siniestros tales como incendios o actos divinos, incluyendo inundaciones, terremoto o tormentas eléctricas, etc.

Para obtener la lista de los establecimientos cercanos donde podrá ejercer sus derechos según la presente garantía, llame al 001-877-680-1310.

KOHLER CO., KOHLER, WI 53044 U.S.A.

### IMPORTADOR:

INTERNACIONAL DE CERÁMICA, S.A. DE C.V.

AV. CARLOS PACHECO NO. 7200

CHIHUAHUA, CHIH., MEXICO C.P. 31060

## Procedimientos de reparación

Esta guía de solución de fallas es sólo una ayuda general. Todos los problemas eléctricos deberían ser corregidos por un Representante de Servicio Autorizado de Kohler o un electricista calificado. Para solicitar servicio de garantía, comuníquese con el representante o el distribuidor mayorista.

### Problemas de reparación en el sistema de la bañera de hidromasaje

Síntomas	Causas probables	Acción sugerida
1. El teclado del usuario no se ilumina cuando se presiona el botón de encendido o se gira el disco externo.	A. No hay suministro eléctrico al control.	A. Revise los cables y conecte el suministro eléctrico. Si el problema persiste consulte con el instalador o distribuidor.
	B. Se disparó el disyuntor diferencial GFCI o ELCB.	B. Restablezca el disyuntor diferencial.
	C. El arnés de los conductores del teclado del usuario al control está flojo, desconectado o dañado.	C. Revise los cables para verificar que estén bien conectados. Reemplace el arnés de los conductores si es necesario. Consulte con el instalador o distribuidor.
	D. Teclado del usuario defectuoso.	D. Reemplace el teclado del usuario. Consulte con el instalador o distribuidor.
	E. Control defectuoso.	E. Reemplace el control. Consulte con el instalador o distribuidor.
2. El motor enciende pero no funcionan los chorros.	A. Los chorros están cerrados.	A. Gire la guarnición del chorro hacia la izquierda para abrirlo.
	B. El chorro no está instalado correctamente.	B. Reinstale el chorro; verifique que el empaque de anillo no haya sufrido daños.
	C. Los chorros están bloqueados.	C. Elimine la obstrucción.
3. El teclado del usuario está iluminado, pero no responde cuando se presionan los botones o se acciona el disco.	A. El programa de control está bloqueado.	A. Restablezca el disyuntor diferencial GFCI o ELCB.
	B. El arnés de los conductores del teclado del usuario al control está flojo, desconectado o dañado.	B. Revise los cables para verificar que estén bien conectados. Reemplace el arnés de los conductores si es necesario. Consulte con el instalador o distribuidor.
	C. Teclado del usuario defectuoso.	C. Reemplace el teclado del usuario. Consulte con el instalador o distribuidor.
	D. Control defectuoso.	D. Reemplace el control. Consulte con el instalador o distribuidor.
4. La barra indicadora del teclado del usuario sigue buscando luego del encendido.	A. El programa de control está bloqueado.	A. Restablezca el disyuntor diferencial GFCI o ELCB.
	B. El arnés de los conductores del teclado del usuario al control está flojo, desconectado o dañado.	B. Revise los cables para verificar que estén bien conectados. Reemplace el arnés de los conductores si es necesario. Consulte con el instalador o distribuidor.
	C. Teclado del usuario defectuoso.	C. Reemplace el teclado del usuario. Consulte con el instalador o distribuidor.
	D. Control defectuoso.	D. Reemplace el control. Consulte con el instalador o distribuidor.
5. El teclado del usuario está iluminado, pero la bomba no arranca.	A. El cable de suministro eléctrico de la bomba al control está suelto, desconectado o dañado.	A. Revise los cables para verificar que estén bien conectados. Si el problema persiste, consulte con el instalador o distribuidor.
	B. Bomba defectuosa.	B. Reemplace la bomba. Consulte con el instalador o distribuidor.
	C. Control defectuoso.	C. Reemplace el control. Consulte con el instalador o distribuidor.
6. El motor funciona pero la bomba no se ceba (cavita).	A. La bomba ha sido demasiado acuñada.	A. Coloque el control de la bomba a nivel del subpiso.
	B. Pequeña pérdida de aire en la conexión de entrada de la bomba.	B. Ajuste firmemente las tuercas en la entrada de la bomba.
	C. Motor/bomba defectuoso.	C. Reemplace el motor/bomba. Consulte con el instalador o distribuidor.
	D. Control defectuoso.	D. Reemplace el control. Consulte con el instalador o distribuidor.

**Continuación de la tabla de problemas de reparación**

7. La bomba se detiene antes de los 18 minutos.	A. Se disparó el disyuntor diferencial GFCI o ELCB.	A. Identifique el origen de la falla y corríjala. Restablezca el disyuntor diferencial GFCI o ELCB.
	B. La succión está bloqueada.	B. Quite la obstrucción.
	C. Los chorros están bloqueados.	C. Elimine la obstrucción.
	D. El motor se sobrecalentó y se activó el dispositivo de protección.	D. Revise si los dispositivos de succión o los chorros están bloqueados. Elimine la causa del bloqueo y espere a que el motor se enfríe.
8. La bomba no se apaga automáticamente después de 22 minutos.	A. Se desactivó inadvertidamente el temporizador de 20 minutos.	A. Consulte el manual de servicio.
9. La bomba no se apaga cuando se presiona el botón de encendido en el teclado del usuario.	A. Teclado del usuario defectuoso.	A. Reemplace el teclado del usuario. Consulte con el instalador o distribuidor.
	B. Control defectuoso.	B. Reemplace el control. Consulte con el instalador o distribuidor.
10. La bomba funciona pero la característica de velocidad variable no funciona.	A. Motor/bomba defectuoso.	A. Reemplace el motor/bomba. Consulte con el instalador o distribuidor.
	B. Control defectuoso.	B. Reemplace el control. Consulte con el instalador o distribuidor.
11. El agua de la bañera se enfría mientras la bomba está funcionando.	A. La temperatura del agua es superior a los 104°F (40°C).	A. Deje enfriar el agua de la bañera.
	B. El calentador está apagado en el teclado del usuario.	B. Encienda el calentador.
	C. Los cables del calentador al control están sueltos, desconectados o dañados.	C. Revise los cables para verificar que estén bien conectados. Consulte con el instalador o distribuidor.
	D. Calentador defectuoso.	D. Reemplace el calentador. Consulte con el instalador o distribuidor.
	E. Control defectuoso.	E. Reemplace el control. Consulte con el instalador o distribuidor.
12. Funcionamiento ruidoso.	A. No se cortaron las cintas metálicas de la bomba.	A. Corte las cintas metálicas con unas tijeras para chapa.
	B. Empaque de anillo del chorro reseco o fuera de lugar (vibra).	B. Retire el chorro, reemplace y lubrique el empaque de anillo. Reinstale el chorro.
13. No funciona el control remoto (si lo tiene).	A. Las baterías están instaladas en forma incorrecta o descargadas.	A. Reemplace las baterías.
	B. La antena del arnés de los conductores está dañada.	B. Reemplace el arnés de los conductores. Consulte con el instalador o distribuidor.
	C. El control remoto no está programado correctamente.	C. Consulte la guía del usuario o el manual de servicio.
	D. Control remoto defectuoso.	D. Reemplace el control remoto.
	E. Control defectuoso.	E. Reemplace el control. Consulte con el instalador o distribuidor.

USA: 1-800-4-KOHLER  
Canada: 1-800-964-5590  
Mexico: 001-877-680-1310  
[kohler.com](http://kohler.com)

THE BOLD LOOK  
OF **KOHLER**®

©2003 Kohler Co.

1022231-5-A