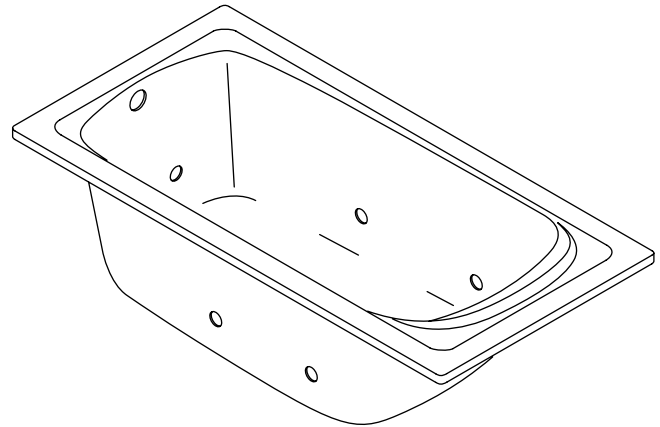


Features

- Acrylic
- 1.5 hp variable-speed pump with 1.5 kW heater and back-lit user keypad
- 6 Flexjets™
- Left or right drain
- Less all trim
- Optional K-1445 front apron
- 72" (182.9 cm) x 36" (91.4 cm) x 23" (58.4 cm)

6' BATH WHIRLPOOL K-1460-H2 ALSO K-1461-H2



Codes/Standards Applicable

Specified model meets or exceeds the following:

- ANSI Z124.1.2
- ASME A112.19.7M
- IAPMO/UPC
- Underwriters Laboratories (UL)

Colors/Finishes

- 0: White
- Other: Refer to Price Book for additional colors/finishes

Accessories

- 0: White
- CP: Polished Chrome
- PB: Vibrant® Polished Brass
- NA: None applicable
- Other: Refer to Price Book for additional colors/finishes

Specified Model

Model	Description	Colors/Finishes	
K-1460-H2	Bath whirlpool, right drain (shown)	<input type="checkbox"/> 0	<input type="checkbox"/> Other_____
K-1461-H2	Bath whirlpool, left drain	<input type="checkbox"/> 0	<input type="checkbox"/> Other_____
Required Accessories			
K-9696	Jet trim kit	<input type="checkbox"/> CP	<input type="checkbox"/> PB <input type="checkbox"/> Other_____
Recommended Accessories			
K-7161-AF	Pop-up drain	<input type="checkbox"/> CP	<input type="checkbox"/> PB <input type="checkbox"/> Other_____

Optional Accessories table is on page 2.

Product Specification

The acrylic bath whirlpool shall be 72" (182.9 cm) in length, 36" (91.4 cm) in width, and 23" (58.4 cm) in height. The bath whirlpool shall have six Flexjets, a 1.5 hp variable-speed pump, a 1.5 kW heater, and back-lit user keypad. The bath whirlpool shall be less all trim. The bath whirlpool shall have a left or right drain and shall have an optional K-1445 removable front apron. The bath whirlpool shall be Kohler Model K-_____ - _____ - _____.

PORTRAIT®

Optional Accessories

K-1177	Vinyl tiling-in bead (use when wall material contacts any top surface of bath)	<input type="checkbox"/> NA
K-1445	Apron (removable)	<input type="checkbox"/> 0 <input type="checkbox"/> Other _____
K-1491	Pillow	<input type="checkbox"/> 0 <input type="checkbox"/> Other _____
K-1601	Footstop	<input type="checkbox"/> 0 <input type="checkbox"/> Other _____
K-1703	Remote control	<input type="checkbox"/> NA

Technical Information

Fixture*:	
Basin area:	
Bathing well	49-1/2" (125.7 cm) x 26-1/4" (66.7 cm)
Top area	60-1/4" (153 cm) x 29-1/2" (74.9 cm)
To overflow:	
Water depth	17-3/4" (45.1 cm)
Capacity	100 gal (378.5 L)
Weight	145 lbs (65.8 kg)
Drop-in cut-out	70-1/2" (179.1 cm) x 34-1/2" (87.6 cm)
* Approximate measurements for comparison only.	

Pump:	Hp	kW	V	Hz	A
Variable speed	1.5	1.5	240	50/60	11

Required Electrical Service

Dedicated circuit required, protected with Class A Ground-Fault Circuit-Interrupter (GFCI) or Earth-Leakage Circuit-Breaker (ELCB):

Pump/control 220/240 V, 20 A, 50/60 Hz

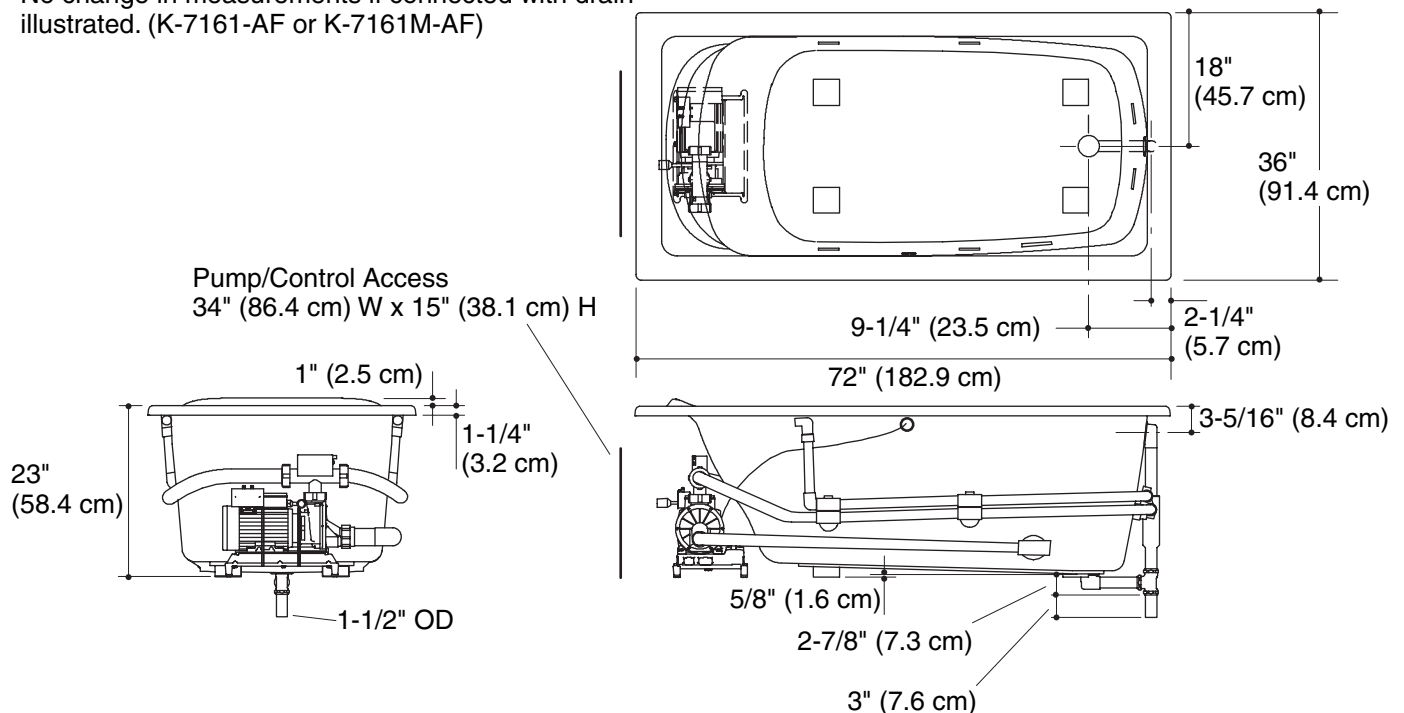
Installation Notes

Install this product according to the installation guide.

Floor support under whirlpool must provide for a minimum of 48 lbs (234 kg).

Hot water supply should be 70% of capacity or greater. Installations will vary.

No change in measurements if connected with drain illustrated. (K-7161-AF or K-7161M-AF)



Product Diagram