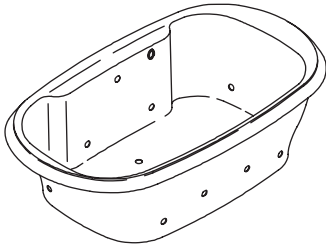


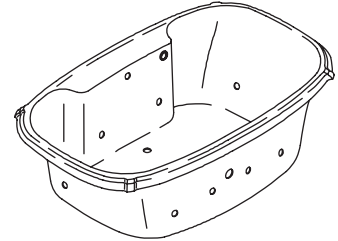
Homeowners Guide

Bath Whirlpool

K-1375



K-1457



M product numbers are for Mexico (i.e. K-12345**M**)
Los números de productos seguidos de **M** corresponden a México
(Ej. K-12345**M**)
Français, page "Français-1"
Español, página "Español-1"

THE BOLD LOOK
OF **KOHLER**®

Important Information

INSTRUCTIONS PERTAINING TO A RISK OF FIRE, ELECTRICAL SHOCK, OR INJURY TO PERSONS

READ AND FOLLOW ALL INSTRUCTIONS

SAVE THESE INSTRUCTIONS



WARNING: When using electrical products, basic precautions should always be followed, including the following:



DANGER: Risk of personal injury. To reduce the risk of injury, do not permit children to use this unit unless they are closely supervised at all times.



WARNING: Risk of personal injury. To avoid injury, exercise care when entering or exiting the whirlpool.



WARNING: Risk of electric shock. Do not permit electric appliances (such as a hair dryer, lamp, telephone, radio, or television) within 5' (1.5 m) of this whirlpool.



WARNING: Risk of hyperthermia. People using medications and/or having an adverse medical history should consult a physician before using a whirlpool equipped with a heater.

Use this whirlpool only for its intended purpose as described in this manual. Do not use attachments not recommended by the manufacturer.

Never drop or insert any object into any opening.

Do not operate this unit without the guard (cover) over the suction fitting.

The whirlpool must be connected only to a supply circuit that is protected by a Ground-Fault Circuit-Interrupter (GFCI) or Residual Current Device (RCD). Such a GFCI or RCD should be provided by the installer and should be tested on a routine basis. To test the GFCI or RCD, press the test button. The GFCI or RCD should interrupt power. Press the reset button. Power should be restored. If the GFCI or RCD fails to operate in this manner, the GFCI or RCD is defective. If the GFCI or RCD interrupts power to the bath without the test button being pressed, a ground current is flowing, indicating the possibility of an electric shock. Do not use this whirlpool bath. Disconnect the whirlpool and have the problem corrected by a qualified service representative before using.



WARNING: The use of alcohol, drugs, or medication can greatly increase the risk of fatal hyperthermia. Prolonged immersion in hot water may induce hyperthermia. Hyperthermia occurs when the internal temperature of the body reaches a level several degrees above the normal body temperature of 98.6°F (37°C). The symptoms of hyperthermia include an increase in the internal temperature of the body, dizziness, lethargy, drowsiness, and fainting. The effects of hyperthermia include: (a) failure to perceive heat, (b) failure to recognize the need to exit the bath, (c) unawareness of impending hazard, (d) fetal damage in pregnant women, (e) physical inability to exit the bath, and (f) unconsciousness resulting in the danger of drowning.

IMPORTANT! Flush your whirlpool system twice a month or more depending upon usage, as described in the "Flushing Your Whirlpool System" section of this manual.

Do not allow the water temperature in the whirlpool to exceed 104°F (40°C).

Keep small objects such as bath toys and bathing accessories out of the whirlpool while the unit is running.

Repeated use of personal care products containing oils can damage plastic whirlpool components. Do not use heavy, vegetable-based shampoos or bath oils.

Whirlpool hydro-massage action can cause even a small amount of bubble bath, bath soap, shampoo, or bath oil to foam excessively. For this reason, please don't use these products during whirlpool operation.

Table of Contents

Important Information	2
Thank You For Choosing Kohler Company	3
Your Kohler Whirlpool	3
User Keypad and Whirlpool Modes/Features	4
Operating Your Whirlpool	5
Neckjet and Backjet Operation (if equipped)	5
Effervescence Operation (if equipped)	6
Chromatherapy Operation (if equipped)	6
Remote Control	7
Programming Your Remote Control	7
FCC Compliance	8
Care and Cleaning	8
Flushing Your Whirlpool System	8
One-Year Limited Warranty	8
One-Year Warranty	9
Troubleshooting Procedures	10
Service Parts	14

Thank You For Choosing Kohler Company

Thank you for choosing Kohler Company. Your Kohler Company product reflects the true passion for design, craftsmanship, artistry, and innovation Kohler Company stands for. We are confident its dependability and beauty will surpass your highest expectations, satisfying you for years to come.

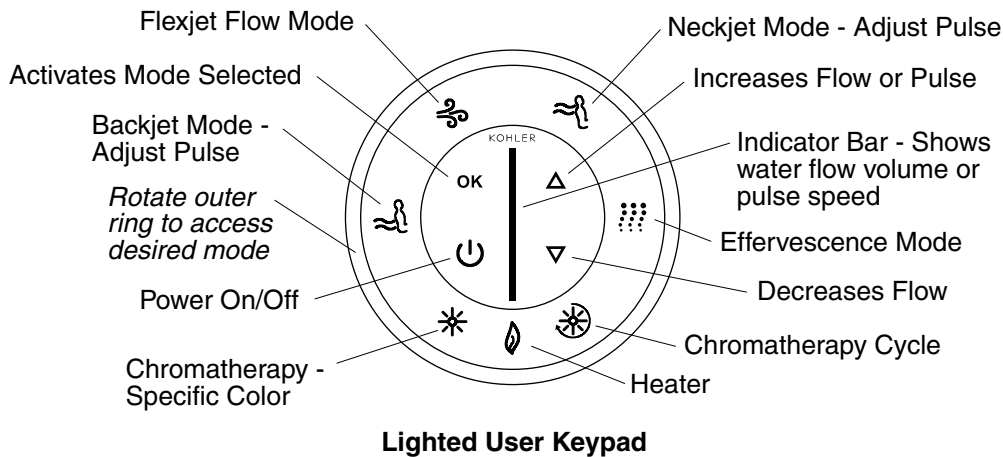
All information in this guide is based upon the latest product information available at the time of publication. At Kohler Company, we strive to fulfill our mission of improving the level of gracious living for each person who is touched by our products and services. We reserve the right to make changes in product characteristics, packaging, or availability at any time without notice.

Please take a few minutes to review this guide. Pay special attention to the care and cleaning instructions.

Your Kohler Whirlpool

Your new whirlpool is designed to stimulate, invigorate, and energize your body with comforting hydro-massage therapy. The whirlpool consists of the following components:

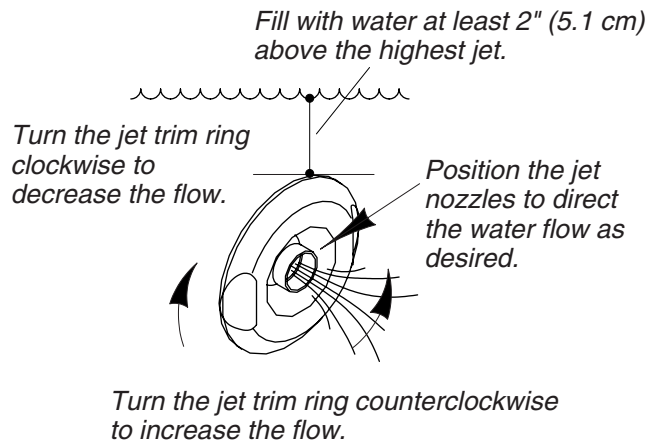
- **Bath** - Acts as a reservoir for water, and provides a location for the hydro-massage action.
- **User Keypad** - Located within easy reach, the keypad allows you to turn the whirlpool on and off. It also allows you to access all the whirlpool modes and regulate the water flow or pulse speed.
- **Pump Motor** - Provides quiet, variable speed power to circulate the water and create the soothing hydro-massage action.
- **Adjustable Jets** - Positioned to optimize their hydro-massage effect, the jets allow you to adjust the air and water flow and control the flow direction as you desire.
- **Heater** - Designed to automatically help maintain the temperature of the water up to 104°F (40°C) to enhance your hydro-massage experience. The heater turns on automatically when the whirlpool is operating, and turns off when the pump motor is turned off. The heater may be turned off, through the keypad, at any time while the pump is operating.
- **Neckjets and Pillow** - Delivers massaging water to the back of your neck. The pillow provides a comfortable place to rest your head as you relax. To prevent water spills, a built-in switch stops the neckjet action if the pillow is removed during operation. Neckjet operation is controlled through the user keypad.
- **Backjets** - Delivers massaging water to your back. The backjets pulse from the bottom of the whirlpool toward the top, with water flow and pulse action occurring from two backjets at a time.



NOTE: Keypad shows all features available. Your keypad may vary based on your whirlpool model.

User Keypad and Whirlpool Modes/Features

- **Power** - Turns the whirlpool pump on and off. Symbols illuminated in blue indicate available modes/features. Modes which are operating will be illuminated in green.
- **Outer Ring** - Rotate the outer ring to the desired mode. The selected mode will flash (blue).
- **Activate Button** - Press "OK" to activate the desired mode.
- **Up Arrow** - Increases the water flow when the Flexjet mode is active. Increases the pulse speed when the neckjet or backjet mode is active.
- **Down Arrow** - Decreases the water flow when the Flexjet mode is active. Decreases the pulse speed when the neckjet or backjet mode is active.
- **Flexjet Mode** - When illuminated, this mode allows you to adjust the water flow by pressing the up or down arrows.
- **Neckjet Mode** - When illuminated, the neckjets are operating and you may adjust the pulsing speed by pressing the up or down arrows.
- **Backjet Mode** - When illuminated, the backjets are operating and you may adjust the pulsing speed by pressing the up or down arrows.
- **Heater** - The heater automatically engages when the whirlpool is turned on. To turn the heater off, rotate the outer ring until the heater mode is flashing and press "OK." Press "OK" again to turn the heater back on. The heater will help to maintain the water temperature up to 104°F (40°C).
- **Indicator Bar** - Shows the water flow volume in the Flexjet mode. Shows the pulse speed in the neckjet or backjet mode.
- **Effervescence Mode** - Effervescence ports activate to provide a gentle, soothing bubbling action. The Flexjet mode, backjets and neckjets will automatically turn off when the effervescence mode is activated.
- **Chromatherapy Cycle** - Chromatherapy lights will automatically and continuously cycle through the eight colors: white, violet, indigo blue, aqua blue, green, yellow, orange, and red. One cycle through all eight colors takes approximately one minute.
- **Chromatherapy Specific Color Selection** - When this mode is selected, you may choose a specific color for the bath.



Operating Your Whirlpool

- Turn the jet trim fully counterclockwise. Position the jet nozzles so they face down toward the basin.

NOTE: The water temperature in the whirlpool should never exceed 104°F (40°C). A built-in heater automatically maintains the water temperature when the whirlpool is running, as long as the water temperature does not exceed 104°F (40°C). The heater will disengage at higher temperatures.

- Close the drain, and fill the whirlpool to a level at least 2" (5.1 cm) above the top of the highest jet. Use your hand to test the water temperature for comfort and safety, then carefully enter the bath.
- Press Power to turn on the whirlpool. The whirlpool will start at medium volume. The heater will also turn on and the heater icon will illuminate.
- Increase or decrease the water flow by pressing the up or down arrows on the keypad. An indicator bar in the center of the keypad shows the water flow volume.
- Adjust the jets for optimum air/water mixture. Turn the jet trim clockwise to reduce the flow, and counterclockwise to increase the flow. Position the jet nozzles to direct the water flow as desired to maximize your hydro-massage experience.
- The heater turns on automatically when the whirlpool is operating, and turns off when the pump motor is turned off. The heater may be turned off, through the keypad, at anytime while the pump is operating.
- Press Power a second time to turn off the whirlpool.

NOTE: Your whirlpool will automatically stop after approximately 20 minutes of continuous operation. You can restart the whirlpool, if you desire, by pressing Power.

- Carefully exit the bath, and open the drain to empty the whirlpool.

NOTE: Consult the "Troubleshooting" section of this manual before calling a qualified service representative.

Neckjet and Backjet Operation (if equipped)

- Make sure the slip cover is in place on the pillow, and the pillow is attached to the neckjet body.

NOTE: If the pillow is not properly installed the neckjets will stop. The neckjet icon and indicator bar on the user keypad will flash. The neckjets will automatically restart when the pillow is properly installed.

- With the whirlpool operating, rotate the outer ring until the neckjet icon is flashing. Press "OK" to activate the neckjets. The neckjet pulsing action will start at medium speed.
- To increase or decrease the neckjet pulsing action, press either the up or down arrow buttons on the keypad, while the neckjet mode is active.

Neckjet and Backjet Operation (if equipped) (cont.)

- To increase or decrease the flow volume to the neckjets, rotate the outer ring to the Flexjet mode, press "OK" to activate the mode, and press either the up or down arrows on the keypad. This also increases or decreases the flow to all modes.
- Rotate the outer ring until the backjet icon is flashing and press "OK." The backjet pulsing action will start at medium speed. The backjets pulse from the bottom of the whirlpool toward the top, with water flow and pulse action occurring from two backjets at a time.

NOTE: If the water level falls below the water level sensors, the backjets will stop. The backjet icon and indicator bar on the user keypad will flash. The backjets will automatically restart when the water level covers the sensors.

- To increase or decrease the backjet pulsing action, press either the up or down arrow buttons on the keypad, while the backjet mode is active.
- To increase or decrease the flow volume to the backjets, rotate the outer ring to the Flexjet mode, press "OK" to activate the mode, and press either the up or down arrows on the keypad. This also increases or decreases the flow to all modes.

NOTE: To activate or deactivate functions while the neckjets and/or backjets are operating, rotate the outer ring until the desired function is flashing and press "OK." (Example: To turn the heater off, rotate the outer ring until the heater icon is flashing and press "OK.")

- Press "OK" while the neckjet mode is active, to turn off the neckjets.
- Press "OK" while the backjet mode is active, to turn off the backjets.

Effervescence Operation (if equipped)

- With the whirlpool operating, rotate the outer ring until the effervescence icon is flashing. Press "OK" to activate the effervescence ports. The effervescence action will start at the flow volume last set in the Flexjet flow mode.
- Increase or decrease the flow volume by pressing either the up or down arrow buttons on the keypad.

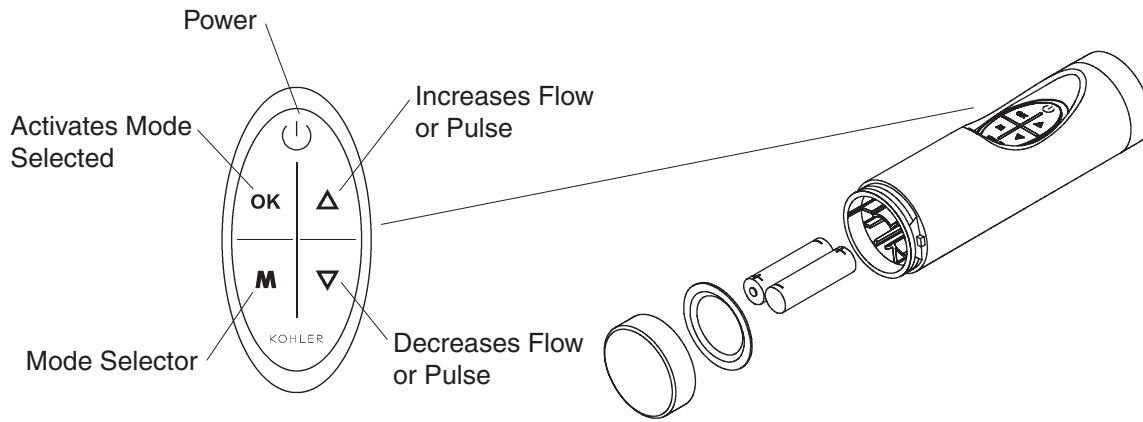
NOTE: The effervescence mode is intended to be a relaxing, soothing experience. The Flexjet mode, backjets and neckjets will automatically turn off when the effervescence mode is activated. Chromatherapy may be used with this and all modes of operation.

- Press "OK" while the effervescence mode is flashing, to turn off the effervescence ports.

Chromatherapy Operation (if equipped)

NOTE: Chromatherapy may be used with all modes of operation. Chromatherapy may also be used when the pump is not operating.

- **Chromatherapy Cycle** - When this mode is activated, the chromatherapy lights will automatically and continuously cycle through the eight colors; white, violet, indigo blue, aqua blue, green, yellow, orange and red. One cycle through all eight colors takes approximately one minute. Rotate the outer ring to select this mode and press "OK" to activate it. Press "OK" while the chromatherapy mode is active, to turn off the lights.
- **Chromatherapy Specific Color Selection** - When this mode is activated, you may choose a specific color for the bath. Rotate the outer ring to select this mode, press "OK" to activate and use the up/down arrows to reach the desired color. Press "OK" while the chromatherapy mode is active, to turn off the lights.



Remote Control

The remote control places the whirlpool functions at your fingertips to further enhance your bathing experience.

The functions of the remote are identical to the user keypad. You may turn the whirlpool on and off, turn the heater on and off, and access/modify all whirlpool functions.

The mode selector button functions in the same way as the outer ring. When "M" is pressed, one of the modes will flash on the user keypad. If "M" is pressed again, the next mode in clockwise order will flash. When the desired mode is flashing, press "OK" to activate it.

When the Flexjets mode is active, the arrows will increase or decrease the water flow volume.

The waterproof remote control is designed to be used in the bath and will float in the water.

Two AAA batteries are used in the remote control. To replace, simply unscrew the end cap and insert the batteries, as shown above. Tighten the end cap securely, making sure the end cap makes contact with the seal.

Programming Your Remote Control

IMPORTANT! Programming the remote control is required. Your whirlpool will not respond to any remote control until you program the remote. If you replace the remote control or replace the pump control, it will be necessary to program the remote control.

- Turn the whirlpool power on.
- Turn off all modes of operation. Wait approximately one minute until the keypad darkens completely (Sleep mode).
- On the user keypad, press the UP arrow, DOWN arrow, and the "OK" buttons simultaneously. The bottom LED on the keypad's indicator bar will begin flashing.
- While the LED is flashing, press the "OK" button on the keypad. A light sequence will illuminate up and down the indicator bar.
- While the indicator bar light sequence is active, press any button on the remote control. The keypad will stop the light sequence, perform a download, and then darken. This user keypad will only respond to this remote.

NOTE: If you do not press any of the buttons on the remote within two minutes the whirlpool will not respond to the remote control.

FCC Compliance

FCC ID : N82-KOHLER001

Canada ID : 4554A-KOHLER001

Compliance Statement (Part 15.19)

This device complies with Part 15 of the FCC Rules and with RSS-210 of Industry Canada. Operation is subject to the following two conditions:

1. This device may not cause harmful interference, and
2. This device must accept any interference received, including interference that may cause undesired operation.

Warning (Part 15.21)

Changes or modifications not expressly approved by the party responsible for compliance could void the users' authority to operate the equipment.

Care and Cleaning

For best results, keep the following in mind when caring for your KOHLER product:

- Use a mild detergent such as liquid dishwashing soap and warm water for cleaning. Do not use abrasive cleaners that may scratch or dull the surface.
- Carefully read the cleaner product label to ensure the cleaner is safe for use on the material.
- Always test your cleaning solution on an inconspicuous area before applying to the entire surface.
- Do not allow cleaners to sit or soak on the surface.
- Wipe surfaces clean and rinse completely with water immediately after cleaner application. Rinse and dry any overspray that lands on nearby surfaces.
- Use a soft, dampened sponge or cloth. Never use an abrasive material such as a brush or scouring pad to clean surfaces.

For detailed cleaning information and products to consider, visit www.kohler.com/clean. To order Care & Cleaning information, call 1-800-456-4537 and press 1 for Kohler Products and then 3 for Literature.

Flushing Your Whirlpool System

- Flush your whirlpool system twice a month or more, depending upon usage. Use the following sequence:
 - Turn the jet trim rings fully clockwise to remove air induction.
 - Fill the whirlpool with warm water to a level at least 2" (5.1 cm) above the highest jets, or leave water in the whirlpool after using.
 - Add 2 tablespoons (30 ml) of a low-foaming dishwasher detergent and 20 ounces (590 ml) of household bleach (5% - 6% sodium hypochlorite) to the water.
 - Run the whirlpool for 5 to 10 minutes. Turn off the whirlpool and drain.
 - If desired, rinse the bath surfaces with water.
 - Rinse the surfaces of the jets, faucet, handrails, drain, etc. and wipe them dry with a soft cloth.

One-Year Limited Warranty

KOHLER plumbing products are warranted to be free of defects in material and workmanship for one year from date of installation.

Kohler Co. will, at its election, repair, replace or make appropriate adjustment where Kohler Co. inspection discloses any such defects occurring in normal usage within one (1) year after installation. Kohler Co. is not responsible for removal or installation costs. Use of in-tank toilet cleaners will void the warranty.

To obtain warranty service contact Kohler Co. either through your Dealer, Plumbing Contractor, Home Center or E-tailer, or by writing Kohler Co., Attn.: Customer Service Department, 444 Highland Drive,

One-Year Limited Warranty (cont.)

Kohler, WI 53044, USA, or by calling 1-800-4-KOHLER from within the USA, 1-800-964-5590 from within Canada and 001-877-680-1310 from within Mexico.

Implied warranties including that of merchantability and fitness for a particular purpose are expressly limited in duration to the duration of this warranty. Kohler Co. and/or seller disclaims any liability for special, incidental or consequential damages.

Some states/provinces do not allow limitations on how long an implied warranty lasts, or the exclusion or limitation of special, incidental or consequential damages so these limitations and exclusions may not apply to you. This warranty gives you specific legal rights. You may also have other rights which vary from state/province to state/province.

This is Kohler Co.'s exclusive written warranty.

One-Year Warranty

KOHLER CO.

It is recommended that at the time of purchase, you verify that all accessories and components are complete in this package.

This Kohler product is warranted to be free of defects in material and workmanship for one (1) year from the date of purchase as shown on the invoice or receipt.

1. Kohler Co. will only service its commercialized products through its authorized distributors.
2. To obtain warranty service, please present the invoice and corresponding warranty.
3. Through its authorized distributors, Kohler Co. promises to repair the defective product or provide a new replacement or an equivalent model (in those cases that the model has been discontinued) when the product is beyond repair, without any charge to the consumer.
4. The time of repair will not exceed six (6) weeks commencing on the date the product is received.
5. It is recommended that the consumer save the invoice or receipt as additional protection, as it may substitute the warranty in the case that there is a discrepancy in the validity of the warranty.

EXCEPTIONS AND RESTRICTIONS

The Warranty will not be valid in the following cases:

1. When the product is not operated in accordance with the instructions concerning use and operation set forth in the owner's manual or installation instructions, and when the recommendations and warnings included are not observed.
2. When the product has been modified or dismantled partially or totally; or has been used in a negligent fashion and as a consequence has suffered damages attributable to the consumer, individual, or hardware not authorized by Kohler Co.
3. This warranty does not cover the damages as a result of disaster such as fire or acts of God, including flooding, earthquake, or electric storms, etc. To obtain a list of distributors in your area where you can exercise your rights under this warranty, please call 001-877-680-1310.

KOHLER CO., KOHLER, WI 53044 U.S.A.

IMPORTER:

INTERNACIONAL DE CERÁMICA, S.A.B. DE C.V.

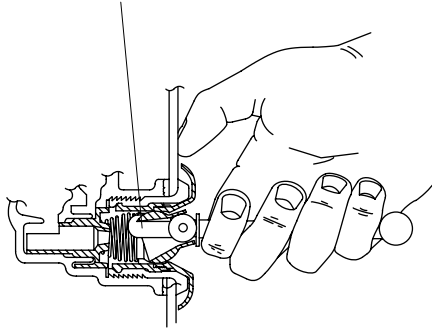
AV. CARLOS PACHECO NO. 7200

CHIHUAHUA, CHIH., MEXICO C.P. 31060

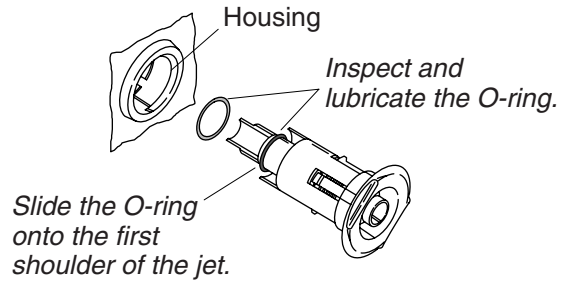
TEL: 52 (14) 29-11-11

Remove the Jets

Insert the tool hook as shown and pull the jet out of the housing. The jet should be facing up when this is done.



Reinstall the Jets



Insert the jet into the housing, and lightly push and rotate until it snaps in position.

Troubleshooting Procedures

Remove the Jets

NOTE: A special tool is provided with the jets that will allow you to remove them from the whirlpool. This tool is also supplied with each trim kit.

- Position the jet ball nozzle so it is pointing upward.

NOTE: The nozzle must remain pointed up or the tool will slip off.

- Insert the removal tool, hooked end up, into the opening of the jet and hook the inside top of the nozzle.
- Grasp the tool firmly and place your thumb against the whirlpool wall. Pull steadily on the tool until the jet assembly pulls free of the hole. Be careful not to lose the O-ring.

Reinstall the Jets

NOTE: The jet O-ring must be correctly positioned, must be lubricated, and must be in good condition to permit easy rotation and proper operation of the jet.

- Install the O-ring onto the **first shoulder** of the jet. Lubricate the O-ring with silicone lubricant to prevent noisy operation of the jet.
- Carefully insert the jet into the housing, and lightly push and rotate the jet until it snaps into position. **Do not force the jet.**

NOTE: When installed correctly, the jet should turn smoothly both clockwise and counterclockwise.

Troubleshooting Guide

This troubleshooting guide is for general aid only. A Kohler Authorized Service Representative or qualified electrician should correct any electrical problems. For warranty service, contact your dealer or wholesale distributor.

Troubleshooting the Whirlpool System

Symptoms	Probable Causes	Recommended Action
1. User keypad does not illuminate when power button is pressed or outer ring is rotated.	A. No power to control.	A. Check wiring and connect power. If problem persists, refer to installer/dealer.

Troubleshooting Procedures (cont.)

Troubleshooting the Whirlpool System

Symptoms	Probable Causes	Recommended Action
	<p>B. GFCI or RCD circuit breaker is tripped.</p> <p>C. Wiring harness from user keypad to control is loose, disconnected, or damaged.</p> <p>D. Keypad is not working.</p> <p>E. Control is not working.</p>	<p>B. Reset GFCI or RCD.</p> <p>C. Check wiring for proper connections. Replace wiring harness if necessary. Refer to installer/dealer.</p> <p>D. Replace user keypad. Refer to installer/dealer.</p> <p>E. Replace control. Refer to installer/dealer.</p>
2. Motor starts, but all jets are not functioning.	<p>A. Jet is closed.</p> <p>B. Jet not installed correctly.</p> <p>C. Jets are blocked.</p>	<p>A. Rotate jet trim ring counterclockwise to open.</p> <p>B. Reinstall jet; check for O-ring damage.</p> <p>C. Remove obstruction.</p>
3. User keypad is illuminated but does not respond to buttons or ring.	<p>A. Control program is locked.</p> <p>B. Wiring harness from user keypad to control is loose, disconnected, or damaged.</p> <p>C. Keypad is not working.</p> <p>D. Control is not working.</p>	<p>A. Reset GFCI or RCD.</p> <p>B. Check wiring for proper connections. Replace wiring harness if necessary. Refer to installer/dealer.</p> <p>C. Replace user keypad. Refer to installer/dealer.</p> <p>D. Replace control. Refer to installer/dealer.</p>
4. User keypad indicator bar keeps scanning at power-up.	<p>A. Control program is locked.</p> <p>B. Wiring harness from user keypad to control is loose, disconnected, or damaged.</p> <p>C. Keypad is not working.</p> <p>D. Control is not working.</p>	<p>A. Reset GFCI or RCD.</p> <p>B. Check wiring for proper connections. Replace wiring harness if necessary. Refer to installer/dealer.</p> <p>C. Replace user keypad. Refer to installer/dealer.</p> <p>D. Replace control. Refer to installer/dealer.</p>
5. User keypad is illuminated, but pump will not start.	<p>A. Power cord from pump to control is loose, disconnected, or damaged.</p> <p>B. Pump is not working.</p> <p>C. Control is not working.</p>	<p>A. Check wiring for proper connections. If problem persists, refer to installer/dealer.</p> <p>B. Replace pump. Refer to installer/dealer.</p> <p>C. Replace control. Refer to installer/dealer.</p>
6. Motor runs but pump will not prime (cavitates).	<p>A. Pump is shimmed too high.</p> <p>B. Small air leak at pump inlet.</p> <p>C. Motor/pump is not working.</p> <p>D. Controller is not working.</p>	<p>A. Lower pump/control to subfloor level.</p> <p>B. Securely tighten nut(s) on intake side of pump.</p> <p>C. Replace motor/pump. Refer to installer/dealer.</p> <p>D. Replace control. Refer to installer/dealer.</p>
7. Pump stops before 18 minutes.	<p>A. GFCI or RCD tripped.</p> <p>B. Suction is blocked.</p> <p>C. Jets are blocked.</p> <p>D. Motor overheated and protection device activated.</p>	<p>A. Identify source of fault, and correct. Reset GFCI or RCD.</p> <p>B. Remove obstruction.</p> <p>C. Remove obstruction.</p> <p>D. Check for blockage at suction and/or jets. Remove obstruction and allow motor to cool.</p>
8. Pump does not automatically stop after 22 minutes.	<p>A. 20-minute timer inadvertently disabled.</p>	<p>A. See Service Manual.</p>

Troubleshooting Procedures (cont.)

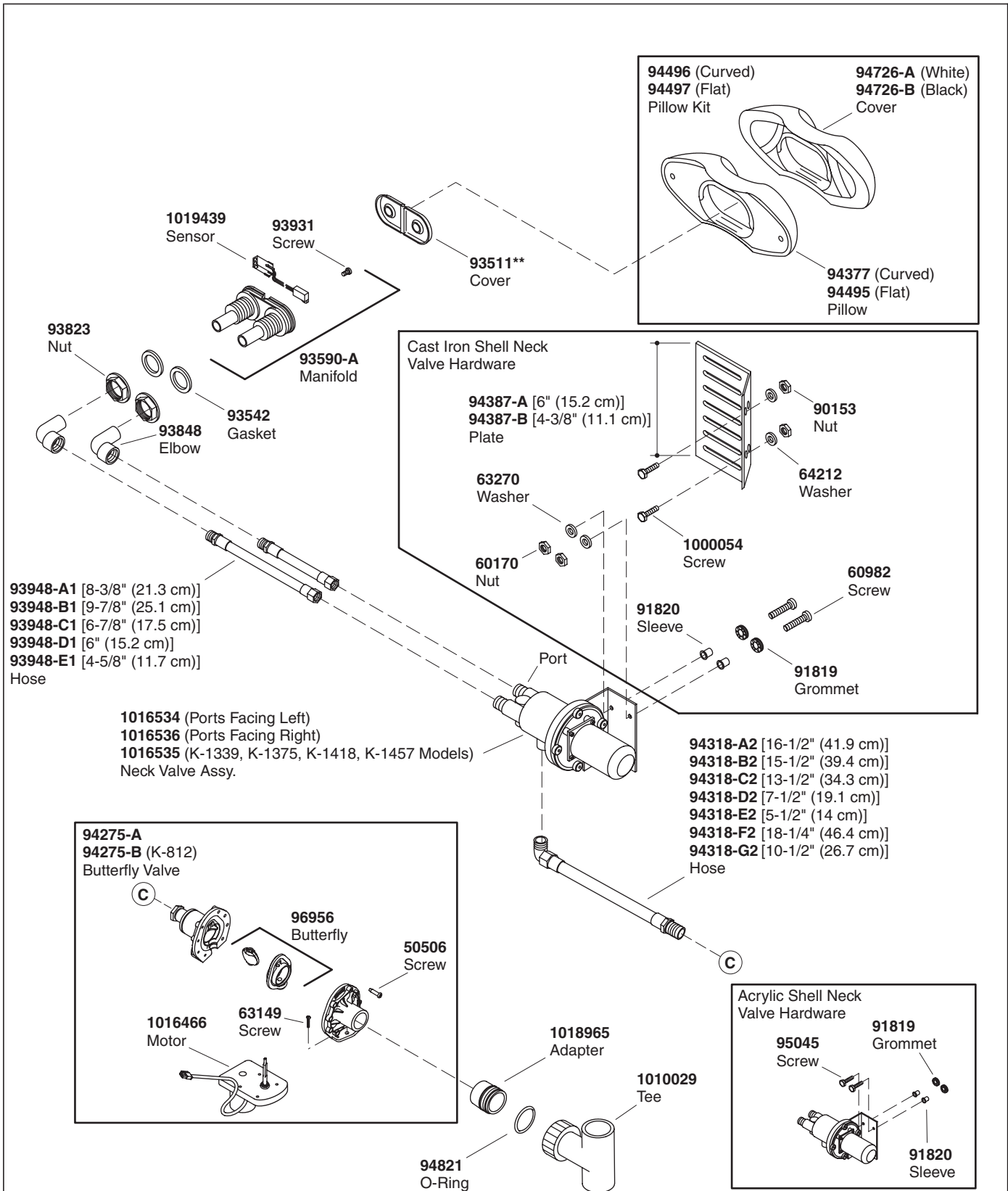
Troubleshooting the Whirlpool System

Symptoms	Probable Causes	Recommended Action
9. Pump will not turn off when the power button on user keypad is pressed.	<p>A. Keypad is not working.</p> <p>B. Control is not working.</p>	<p>A. Replace user keypad. Refer to installer/dealer.</p> <p>B. Replace control. Refer to installer/dealer.</p>
10. Pump operates but variable speed feature does not work.	<p>A. Motor/pump is not working.</p> <p>B. Control is not working.</p>	<p>A. Replace motor/pump. Refer to installer/dealer.</p> <p>B. Replace control. Refer to installer/dealer.</p>
11. Bath water cools while pump is operating.	<p>A. Water temperature is above 104°F (40°C).</p> <p>B. Heater is turned off on user keypad.</p> <p>C. Wiring from heater to control is loose, disconnected, or damaged.</p> <p>D. Heater is not working.</p> <p>E. Control is not working.</p>	<p>A. Allow bath water to cool.</p> <p>B. Turn heater on.</p> <p>C. Check wiring for proper connections. Refer to installer/dealer.</p> <p>D. Replace heater. Refer to installer/dealer.</p> <p>E. Replace control. Refer to installer/dealer.</p>
12. Noisy operation.	<p>A. Pump banding straps have not been cut.</p> <p>B. Dry or dislodged jet O-ring (squeal).</p>	<p>A. Cut pump banding straps with tin snips.</p> <p>B. Remove jet, replace and lubricate O-ring, and reinstall jet.</p>
13. Remote control (if equipped) does not work.	<p>A. Batteries improperly installed or dead.</p> <p>B. Antenna on wiring harness is damaged.</p> <p>C. Remote control not programmed correctly.</p> <p>D. Remote control is not working.</p> <p>E. Control is not working.</p>	<p>A. Replace batteries.</p> <p>B. Replace wiring harness. Refer to installer/dealer.</p> <p>C. See remote control Homeowners Guide or Service Manual.</p> <p>D. Replace remote control.</p> <p>E. Replace control. Refer to installer/dealer.</p>
14. Keypad does not respond when neckjet mode is selected.	<p>A. Keypad is not working.</p>	<p>A. Replace user keypad. Refer to installer/dealer.</p>
15. Pump operates but neckjets do not turn on. Indicator bar on user keypad is flashing.	<p>A. Pillow is not installed.</p> <p>B. Reed switch does not work.</p> <p>C. Wiring harness from neckjet to control is loose, disconnected or damaged.</p>	<p>A. Make sure the pillow is properly attached to the neckjet body.</p> <p>B. Check reed switch wiring and replace if necessary.</p> <p>C. Check wiring for proper connections. Replace wiring harness if necessary. Refer to installer/dealer.</p>
16. Pump operates but neckjets do not turn on. Indicator bar on user keypad is NOT flashing.	<p>A. Neckjet line is blocked.</p> <p>B. Wiring harness from neckjet to control is loose, disconnected or damaged.</p> <p>C. Butterfly valve is not working.</p> <p>D. Control is not working.</p>	<p>A. Disconnect neckjet hoses and remove obstruction.</p> <p>B. Check wiring for proper connections. Replace wiring harness if necessary. Refer to installer/dealer.</p> <p>C. Replace butterfly valve. Refer to installer/dealer.</p> <p>D. Replace control. Refer to installer/dealer.</p>

Troubleshooting Procedures (cont.)

Troubleshooting the Whirlpool System

Symptoms	Probable Causes	Recommended Action
17. Water flows from neckjets, but neckjets do not pulse.	<p>A. Wiring harness from neckjet pulse canister to control is loose, disconnected or damaged.</p> <p>B. Pulse canister does not work.</p> <p>C. Control is not working.</p>	<p>A. Check wiring for proper connections. Replace wiring harness if necessary. Refer to installer/dealer.</p> <p>B. Replace pulse canister. Refer to installer/dealer.</p> <p>C. Replace control. Refer to installer/dealer.</p>
18. Backjets do not operate.	<p>A. Whirlpool pump is not operating.</p> <p>B. Backjet butterfly valve does not open.</p> <p>C. Not enough water in whirlpool.</p> <p>D. Actuator switch does not work.</p> <p>E. Power from pump motor to control is off.</p> <p>F. Backjet pipe is blocked.</p> <p>G. Switch wire from switch to control is disconnected.</p>	<p>A. Turn on pump.</p> <p>B. Check for loose connections or wires leading from backjet pulse canister to control. Replace backjet pulse canister or control if necessary. Refer to installer/dealer.</p> <p>C. Fill whirlpool so water level sensors are covered.</p> <p>D. Replace actuator switch. Refer to installer/dealer.</p> <p>E. Check for loose connections or wires leading from pump motor to control. Refer to installer/dealer.</p> <p>F. Remove obstruction.</p> <p>G. Reconnect or replace switch wires that use modular plug. Refer to installer/dealer.</p>
19. Backjets do not pulse.	<p>A. Pulse canister does not work.</p> <p>B. Switch does not work.</p> <p>C. Switch wire from switch to control is disconnected.</p>	<p>A. Check for loose connections or wires leading from pulse canister to control. Replace pulse canister or control if necessary. Refer to installer/dealer.</p> <p>B. Replace switch. Refer to installer/dealer.</p> <p>C. Reconnect or replace switch wires that use modular plug. Refer to installer/dealer.</p>
20. Effervescence ports do not work.	<p>A. Whirlpool pump is not working.</p> <p>B. Butterfly valve is not working.</p> <p>C. Pump does not work.</p> <p>D. Control does not work.</p>	<p>A. Turn on pump.</p> <p>B. Replace butterfly valve. Refer to installer/dealer.</p> <p>C. Refer to the Service Manual to troubleshoot the system. Refer to installer/dealer.</p> <p>D. Replace control. Refer to installer/dealer.</p>
21. Effervescence ports do not bubble.	<p>A. Air intake on suction line is blocked.</p> <p>B. Water flow is too low.</p>	<p>A. Remove blockage.</p> <p>B. Increase water flow.</p>
22. Chromotherapy lights do not work.	<p>A. Loose, disconnected or damaged wiring/connections.</p> <p>B. Control does not work.</p>	<p>A. Check wiring for proper connections. Replace wiring if necessary. Refer to installer/dealer.</p> <p>B. Replace control. Refer to installer/dealer.</p>



**Finish/color code must be specified when ordering

Service Parts

1003065
Suction Flange
Removal Tool



73518
Plug



93685
Housing



96708
Flange



65886 (Acrylic and FRP)
60050 (Cast Iron)
Gasket



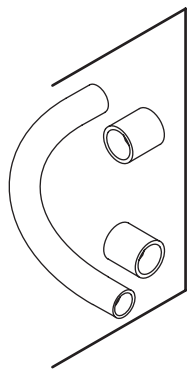
65054**
Screw



96895** (Colored Finishes)
65061** (Metal Finishes)
Cover



65226**
Suction Cover Plug



93836 (1/2")
93837 (3/4")
93838 (1")
93839 (1-1/4")
94853 (1-1/2")
Tube (w/Couplings)

91967
Check Valve



1086350
Flange Removal Wrench



67665
Plug



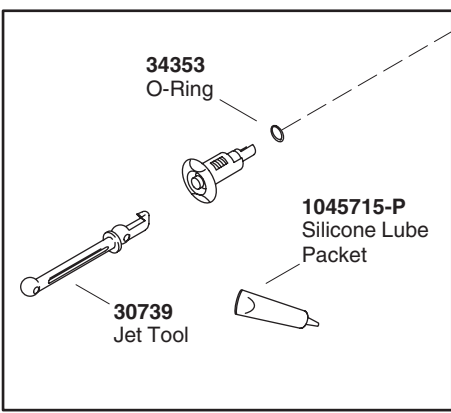
67429
Flange



67889
Jet Housing



65885 (Acrylic and FRP)
67668 (Cast Iron)
Gasket



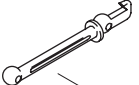
34353
O-Ring



1045715-P
Silicone Lube
Packet



30739
Jet Tool



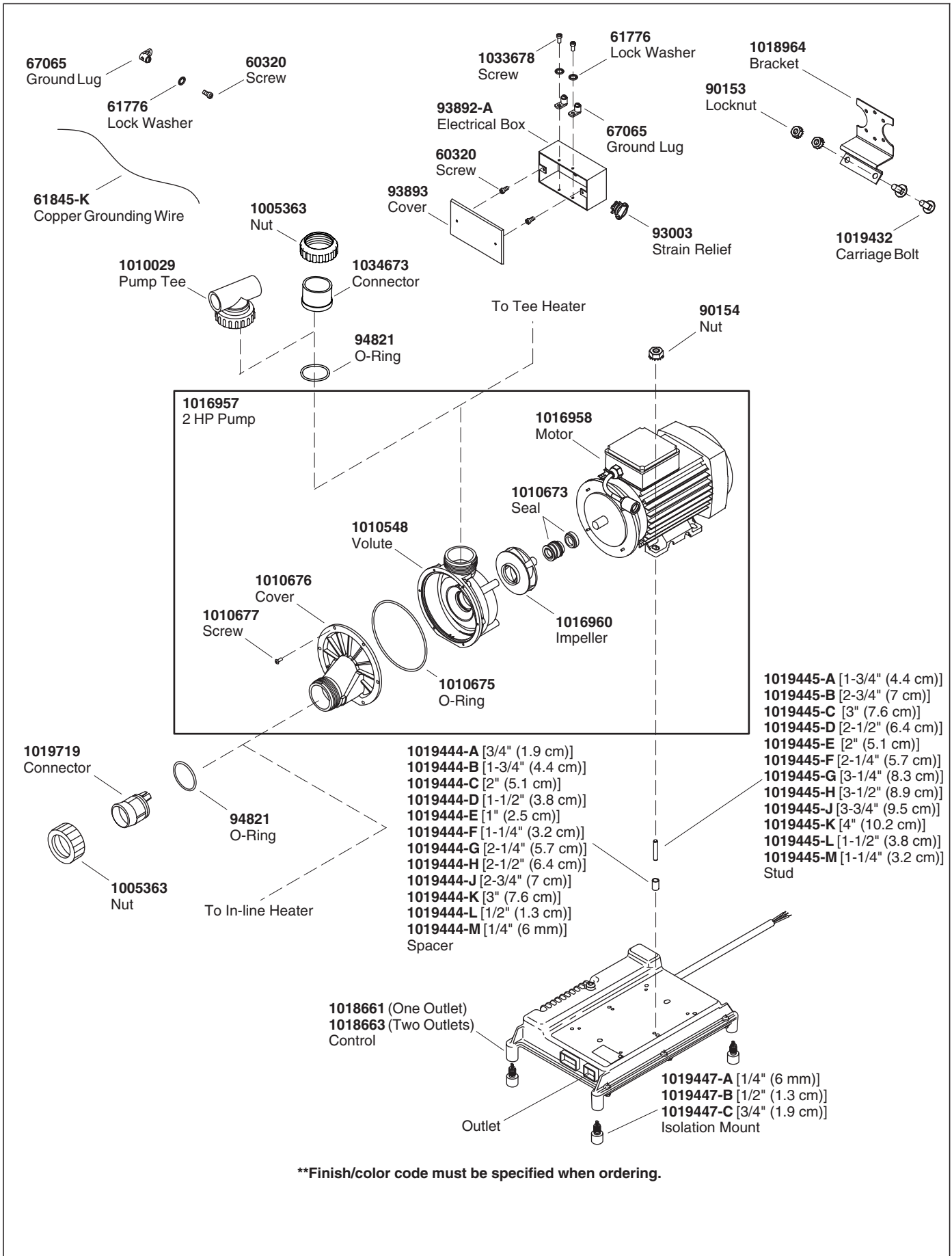
**Single Jet For Whirlpools
With 5 or Less Jets**

88532** (Colored Finishes)
88531** (Metal Finishes)
Jet

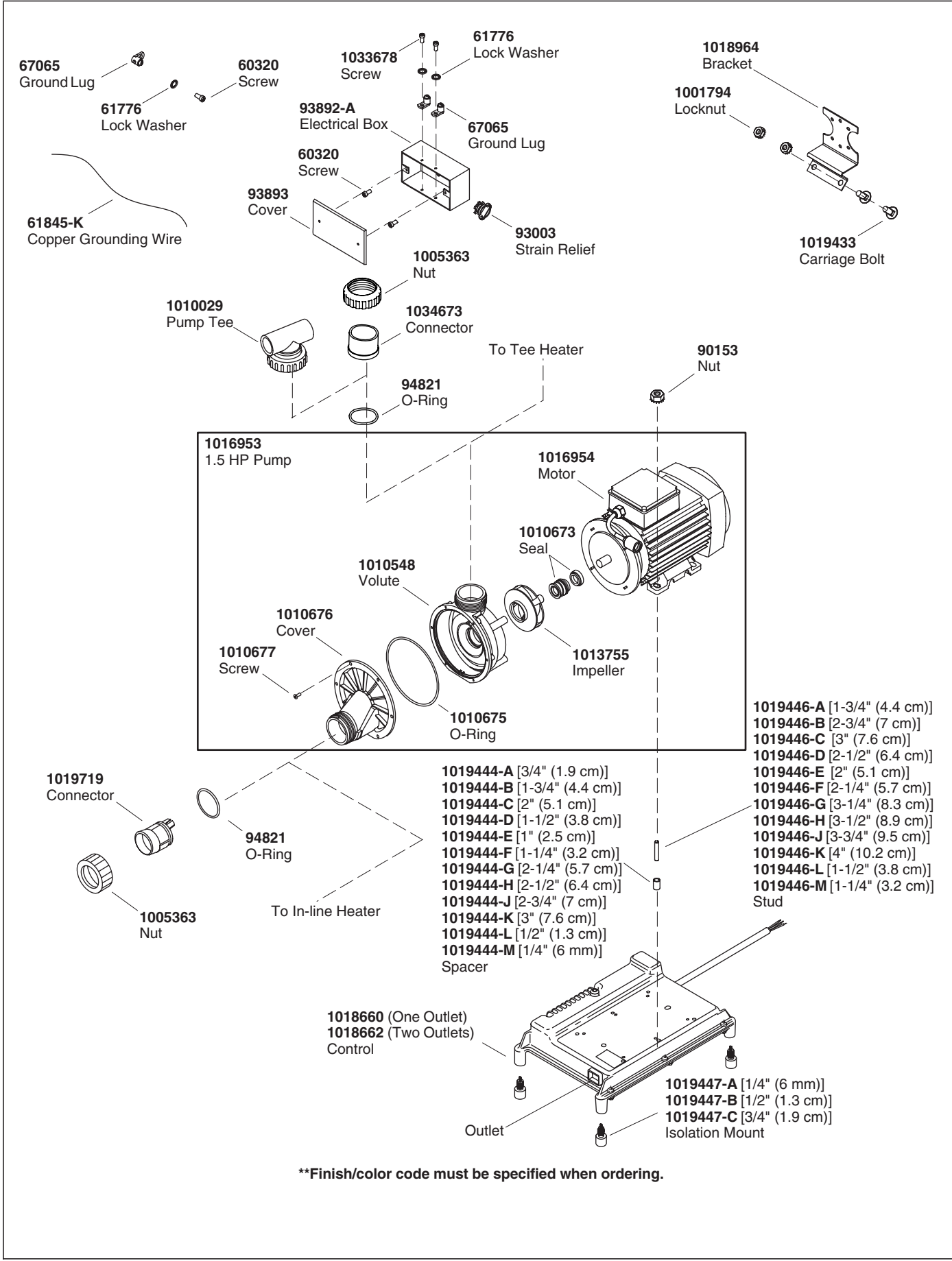
**Single Jet For Whirlpools
With 6 or More Jets**

88530** (Colored Finishes)
88529** (Metal Finishes)
Jet

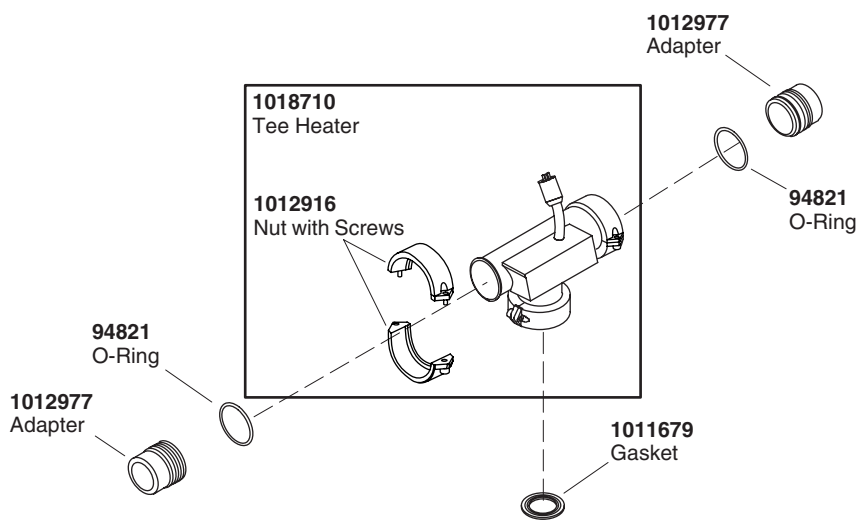
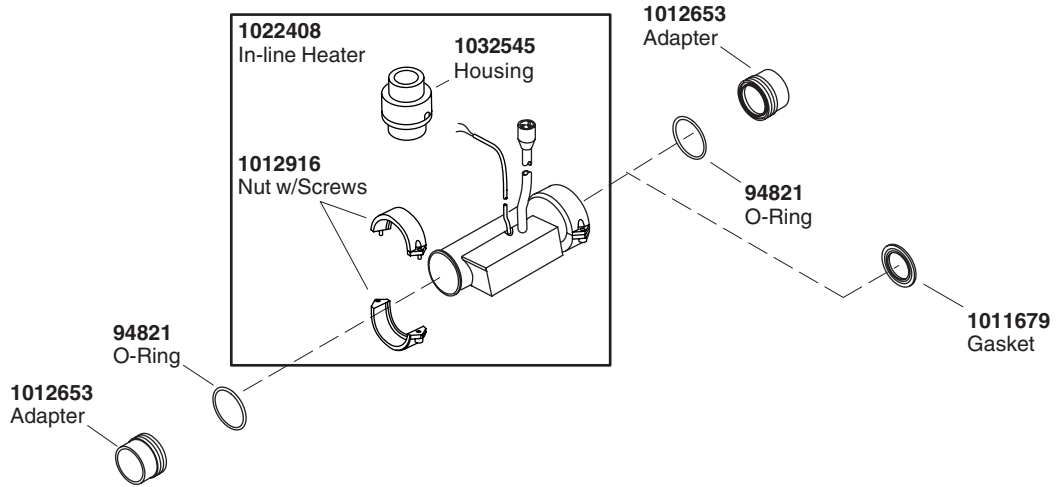
****Finish/color code must be specified when ordering.**



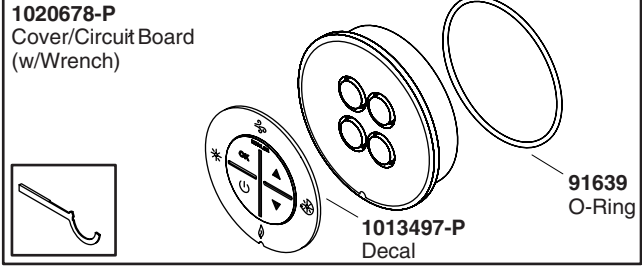
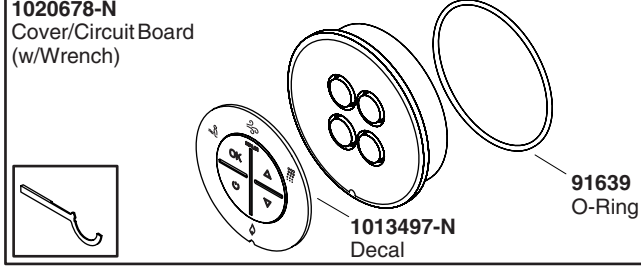
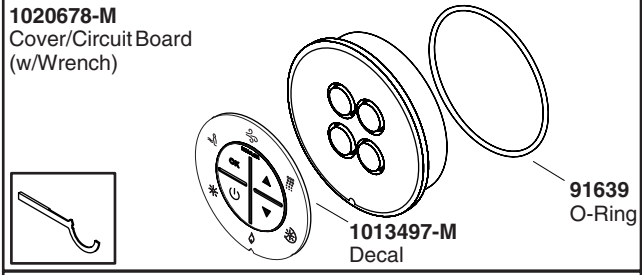
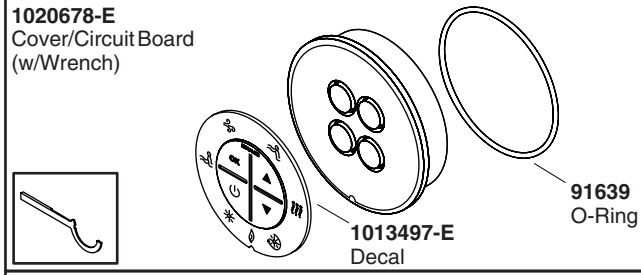
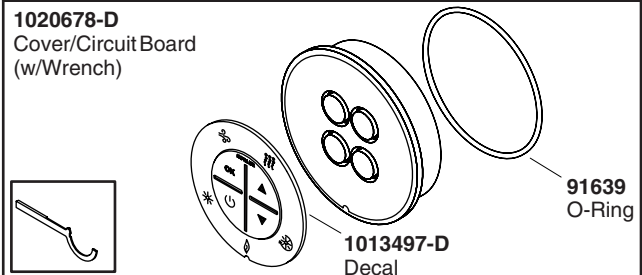
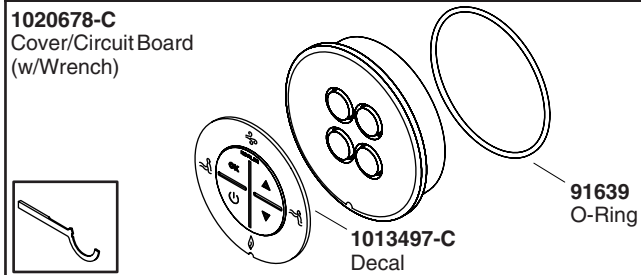
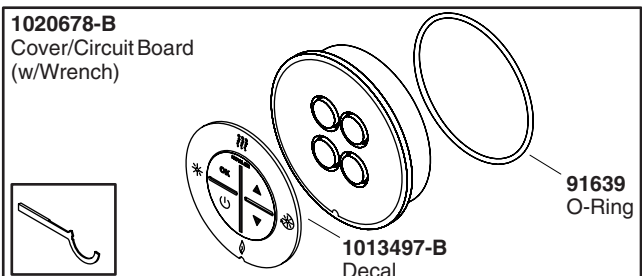
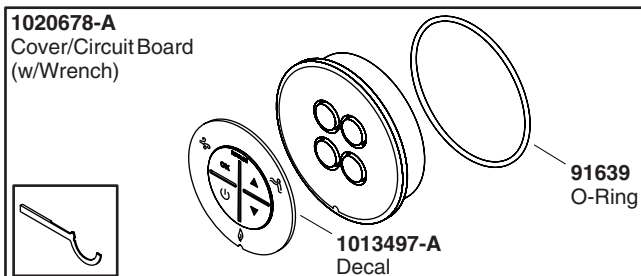
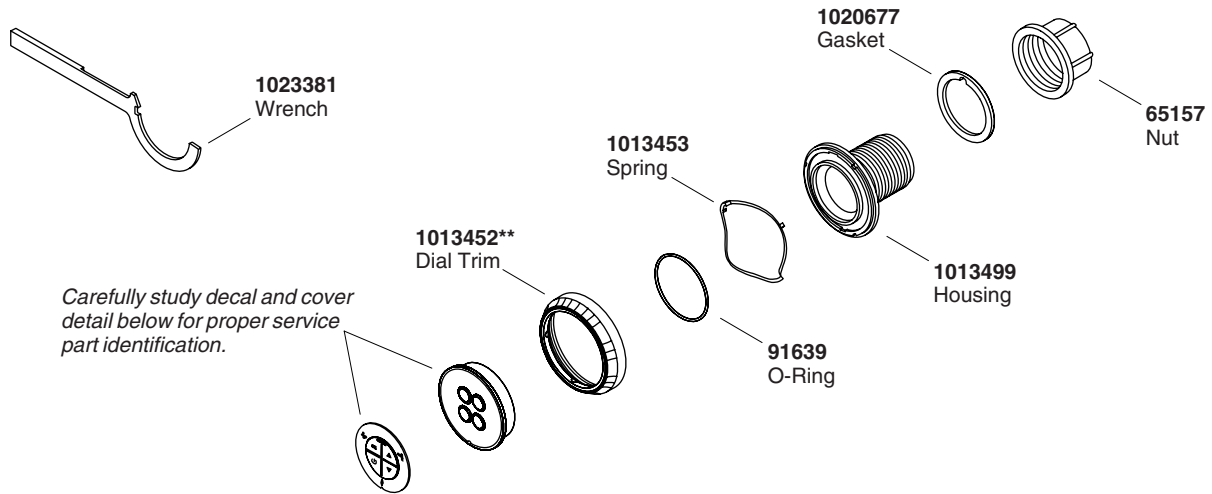
****Finish/color code must be specified when ordering.**



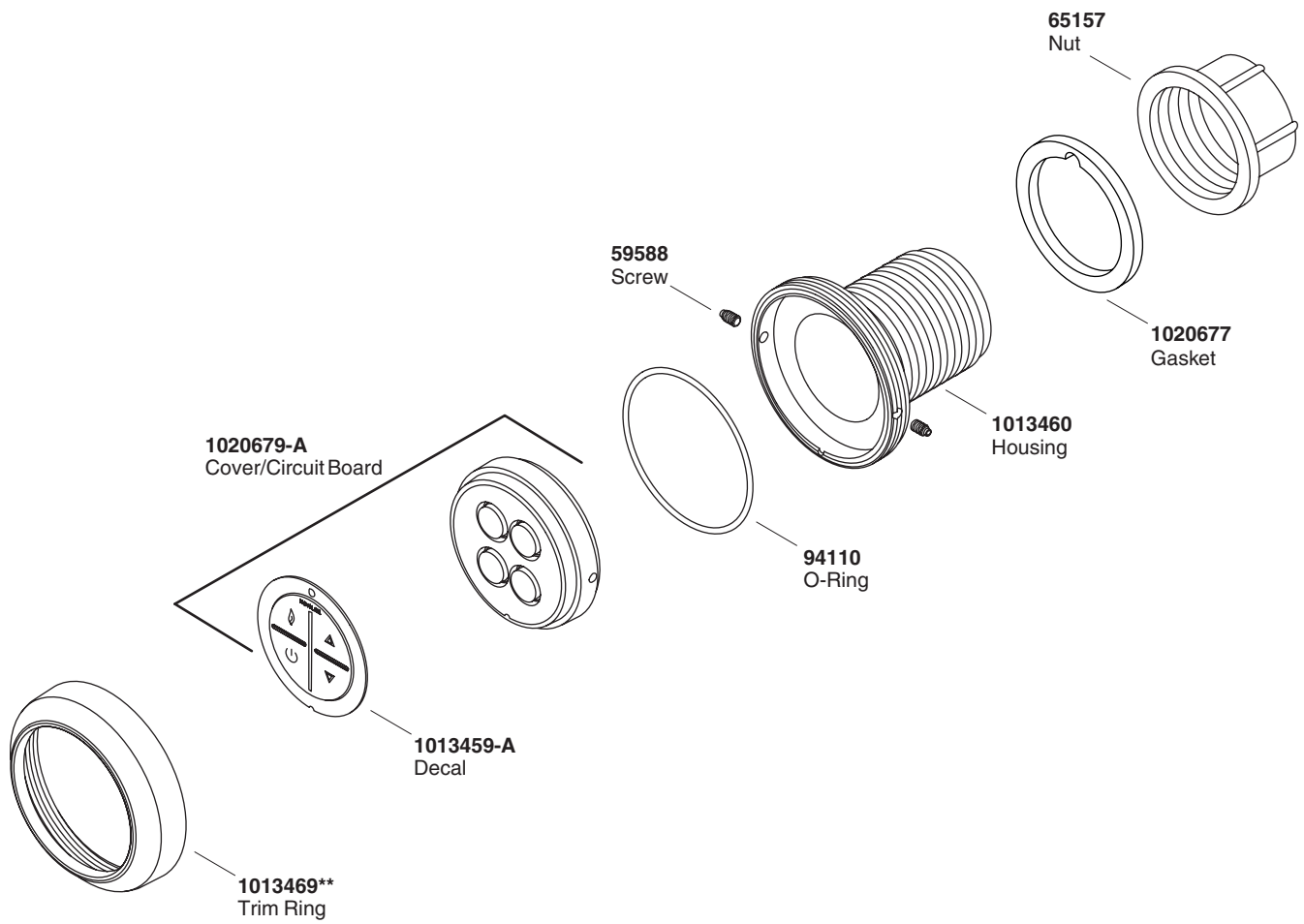
****Finish/color code must be specified when ordering.**



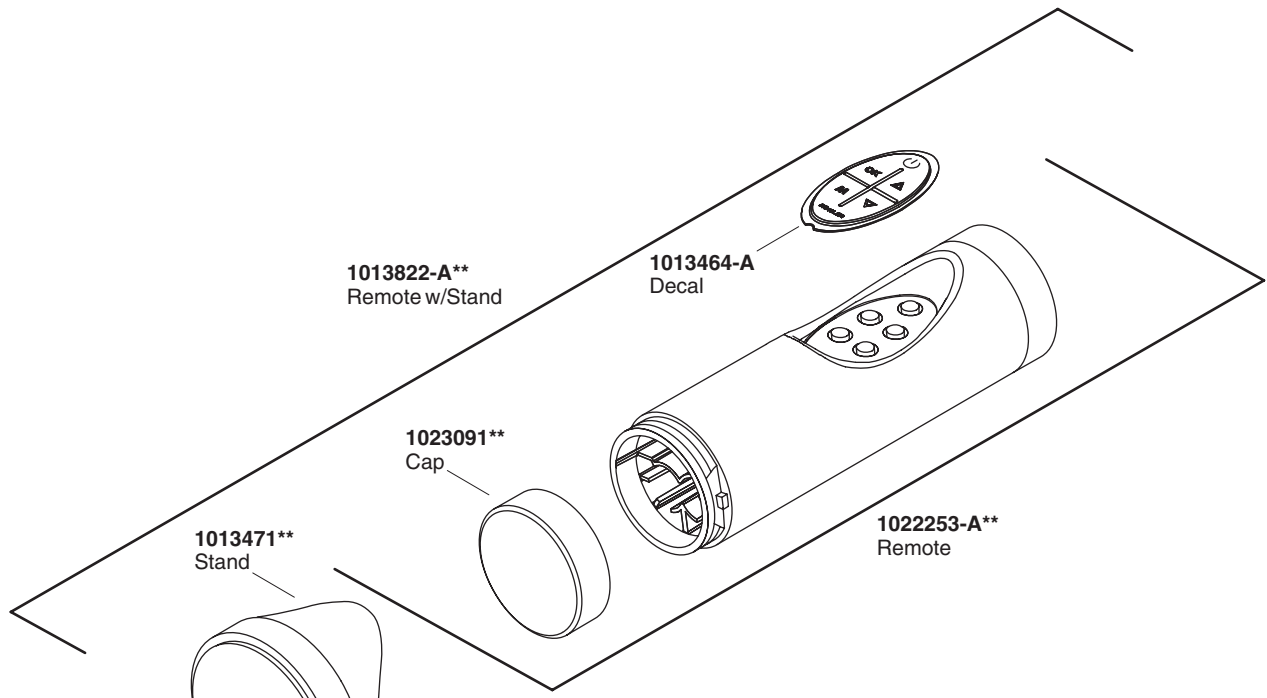
****Finish/color code must be specified when ordering.**



****Finish/color code must be specified when ordering.**



****Finish/color code must be specified when ordering.**



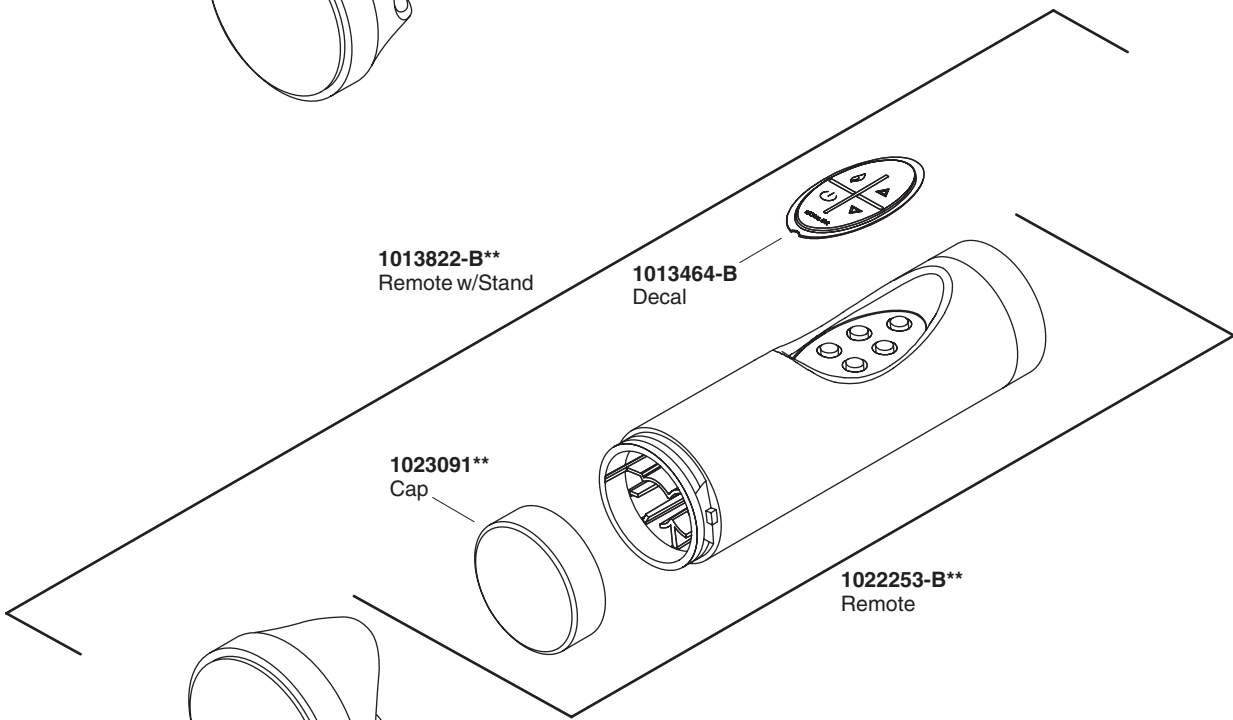
1013822-A**
Remote w/Stand

1013464-A
Decal

1023091**
Cap

1013471**
Stand

1022253-A**
Remote



1013822-B**
Remote w/Stand

1013464-B
Decal

1023091**
Cap

1013471**
Stand

1022253-B**
Remote

****Finish/color code must be specified when ordering.**

Guide du propriétaire

Baignoire à hydromassage

Renseignements importants

CONSIGNES RELATIVES AUX RISQUES D'INCENDIE, D'ÉLECTROCUTION OU DE BLESSURES CORPORELLES

LIRE ET SUIVRE TOUTES LES INSTRUCTIONS

CONSERVER CES INSTRUCTIONS



AVERTISSEMENT : Lors de l'utilisation des produits électriques, des précautions de base devraient toujours être observées, incluant ce qui suit:



DANGER : Risque de blessures corporelles. Afin de réduire les risques de blessures, ne jamais permettre à un enfant d'utiliser cet appareil sans surveillance.



AVERTISSEMENT : Risque de blessures corporelles. Pour éviter les blessures corporelles, entrer et sortir avec précaution de la baignoire à hydromassage.



AVERTISSEMENT : Risque d'électrocution. Ne pas raccorder d'appareils électriques (tels que sèche-cheveux, lampe, téléphone, radio ou télévisions) dans les 5' (1,5 m) de cette baignoire à hydromassage.



AVERTISSEMENT : Risque d'hyperthermie. Les personnes sous médicaments ou qui sont en observation médicale doivent consulter leur médecin avant d'utiliser des baignoires à hydromassage équipées de chauffe.

Utiliser cette baignoire à hydromassage uniquement pour un usage tel que décrit dans ce manuel. Ne pas utiliser des fixations non recommandées par le fabricant.

Ne jamais faire tomber ou insérer d'objet quelconque dans les ouvertures.

Ne pas utiliser cet appareil sans ses protecteurs (couvercles) sur ses raccords d'aspiration.

La baignoire à hydromassage doit être raccordée uniquement à une prise de terre, protégée par un disjoncteur différentiel (GFCI) ou un appareil de courant résiduel (RCD). De tels disjoncteurs GFCI ou RCD devraient être fournis par l'installateur et vérifiés régulièrement. Appuyer sur le bouton de test pour tester les disjoncteurs GFCI ou RCD. Le GFCI ou RCD devraient couper le courant. Appuyer sur le bouton de ré-initialisation. L'alimentation devrait être restituée. Si les disjoncteurs GFCI ou RCD ne fonctionnent pas de cette façon, l'un ou l'autre est défectueux. Si les disjoncteurs GFCI ou RCD stoppent l'alimentation électrique à la baignoire sans que le bouton test ne soit utilisé, il y a donc un court circuit indiquant la possibilité de choc électrique. Ne pas utiliser pas cette baignoire à hydromassage. Débrancher la baignoire à hydromassage et la faire réviser par un technicien qualifié avant son utilisation.



AVERTISSEMENT : La consommation d'alcool, de drogues ou de médicaments peuvent augmenter considérablement le risque fatal d'hyperthermie. Une immersion prolongée dans l'eau chaude peut provoquer l'hyperthermie. L'hyperthermie a lieu lorsque la température corporelle interne atteint plusieurs degrés au dessus de la température normale de 98.6° F (37°C). Les symptômes d'hyperthermie comprennent la hausse de la température corporelle, l'étourdissement, la léthargie, la somnolence et l'évanouissement. Les effets de l'hyperthermie comprennent: (a) défaut de percevoir la chaleur, (b) défaut de s'apercevoir du besoin de sortir de la baignoire, (c) incapacité de reconnaître le danger, (d) dommages au fœtus dans le cas des femmes enceintes, (e)

Renseignements importants (cont.)

incapacité physique de sortir de la baignoire et (f) inconscience et danger conséquent de noyade.

IMPORTANT ! Purger le système d'hydromassage deux fois par mois ou plus souvent selon la fréquence d'usage, tel que décrit dans la section "Purger le système d'hydromassage" de ce manuel.

Ne pas laisser la température de la baignoire à hydromassage excéder 104° F (40°C).

Ne pas laisser de petits objets tels que des jouets ou accessoires pour le bain dans la baignoire à hydromassage lorsqu'elle est en marche.

L'utilisation répétée de produits d'hygiène et de beauté contenant des huiles peut endommager les revêtements en plastique des composants de la baignoire à hydromassage. Ne pas utiliser de shampoings ou d'huiles de bains à bases végétales.

L'action de la baignoire à hydromassage peut considérablement faire mousser une quantité de produit moussant, même très petite, de savon, de shampoing ou d'huile pour le bain. Pour cette raison, nous vous conseillons de ne pas utiliser ces produits dans votre baignoire à hydromassage.

Sommaire

Renseignements importants	1
Merci d'avoir choisi la compagnie Kohler	2
Votre baignoire à hydromassage Kohler	2
Clavier de l'utilisateur et modes/fonctions de la baignoire à hydromassage	4
Opérer votre baignoire à hydromassage	5
Opération du jet pour le cou et dorsal (si équipé)	5
Opération effervescence (si équipée)	6
Opération chromathérapie (si équipé)	7
Télécommande	8
Programmer votre télécommande	8
Conforme FCC	9
Entretien et nettoyage	9
Purger le système de baignoire d'hydromassage	9
Garantie limitée d'un an	10
Procédures de dépannage	11
Pièces de rechange	16

Merci d'avoir choisi la compagnie Kohler

Merci d'avoir choisi la compagnie Kohler. Votre produit de la compagnie Kohler reflète la véritable passion du design, d'artisanat, d'art et d'innovation représentant la compagnie Kohler. Nous sommes confiants que sa fiabilité et beauté surpasseront vos exigences les plus élevées, vous satisfaisant pendant les années à venir.

Toute information contenue dans ce guide est basée sur l'information la plus récente du produit disponible au moment de la publication. A la compagnie Kohler, nous aspirons à remplir notre mission d'améliorer le niveau de vie gracieux pour chaque individu affecté par nos produits et services. Nous nous réservons le droit d'apporter toutes modifications aux caractéristiques, emballages ou disponibilités des produits, et ceci à tout moment et sans préavis.

Veillez prendre s'il vous plaît quelques minutes pour étudier ce guide. Prêter une attention toute particulière aux instructions d'entretien et de nettoyage.

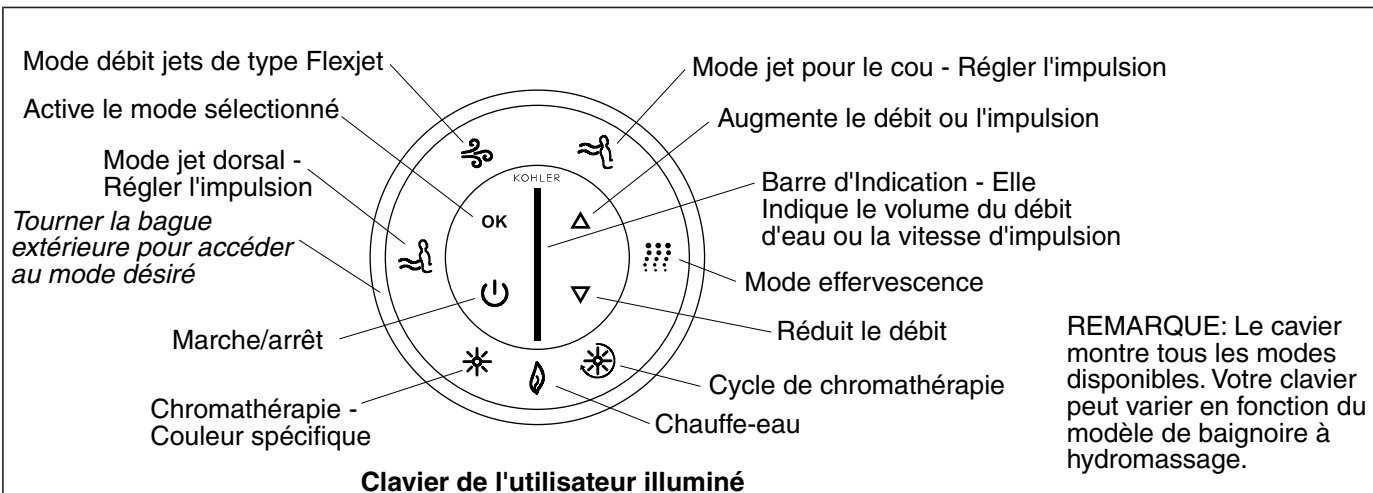
Votre baignoire à hydromassage Kohler

Votre nouvelle baignoire à hydromassage est conçue pour relaxer, stimuler, revigorer et tonifier votre corps. La baignoire à hydromassage consiste en les éléments suivants:

- **Baignoire** - Agit comme un réservoir d'eau, et fournit un espace pour l'action d'hydromassage.

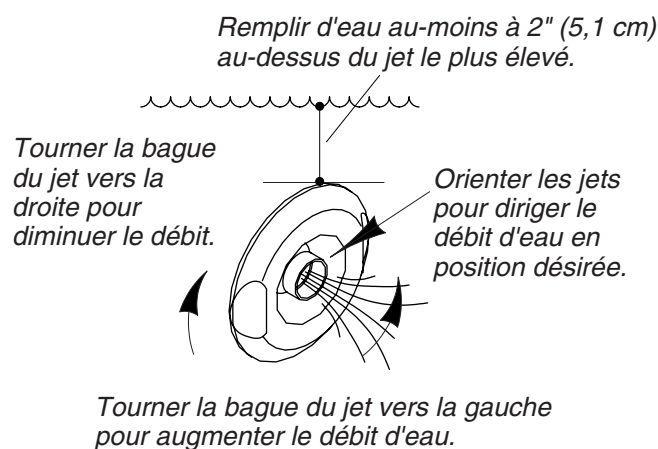
Votre baignoire à hydromassage Kohler (cont.)

- **Clavier de l'utilisateur** - Simple d'accès, le clavier de l'utilisateur vous permet de démarrer ou d'arrêter votre baignoire à hydromassage. Il vous permet aussi d'accéder à tous les modes de la baignoire à hydromassage et au réglage du débit d'eau ou de la puissance d'impulsion.
- **Moteur de pompe** - Silencieux et à vitesse variable, pour faire circuler l'eau et créer l'action relaxante d'hydromassage.
- **Jets réglables** - Positionnés de manière stratégique pour optimiser l'effet d'hydromassage, ils permettent d'ajuster le débit d'air et d'eau, ainsi que de contrôler la direction du jet selon le désir.
- **Chauffe-eau** - Conçu pour aider à maintenir automatiquement la température de l'eau jusqu'à 104°F (40°C) et pour améliorer votre expérience de bain à hydromassage. Le chauffe-eau s'active automatiquement lorsque la baignoire à hydromassage est en service, et s'éteint lorsque le moteur de la pompe est arrêté. Le chauffe-eau peut être arrêté par le clavier de commande et à tout moment quand la pompe est en fonction.
- **Jets pour le cou et oreiller** - Délivrent une eau massante au dos et à votre cou. L'oreiller fournit l'endroit parfait pour reposer la tête et se relaxer. Pour éviter que l'eau ne déborde, un interrupteur intégré arrêtera le mode hydromassage du Cou si l'oreiller est retiré pendant son fonctionnement. L'opération hydromassage du cou est commandée par le clavier de l'utilisateur.
- **Jet dorsaux** - Fournissent l'eau massante au dos. L'impulsion des jets dorsaux a lieu du fond vers le haut de la baignoire à hydromassage de deux jets à la fois.



Clavier de l'utilisateur et modes/fonctions de la baignoire à hydromassage

- **Alimentation** - Met les pompes de la baignoire à hydromassage en marche et arrêt. Les symboles illuminés en bleu indiquent la disponibilité des modes/fonctions. Les modes en opération seront illuminés en vert.
- **Bague extérieure** - Tourner la bague extérieure pour accéder au mode désiré. Le mode sélectionné clignotera (en bleu).
- **Bouton d'activation** - Appuyer sur "OK" pour activer le mode désiré.
- **Flèche haut** - Augmente le débit d'eau quand le mode Flexjet est actif. Augmente la vitesse de pulsation quand le mode d'hydromassage du cou ou dorsal est activé.
- **Flèche bas** - Augmente le débit de l'eau quand le mode Flexjet est actif. Diminue la vitesse de pulsation quand le mode hydromassage du cou ou dorsal est actif.
- **Mode Flexjet** - Lorsqu'il est illuminé, ce mode vous permet d'ajuster le débit d'eau en pressant sur les flèches haut et bas.
- **Mode jets pour le cou** - Lorsqu'ils sont actifs, les jets pour le cou sont en fonction et vous pouvez ajuster la vitesse d'impulsion en utilisant les flèches haut et bas.
- **Mode massage dorsal** - Lorsqu'illuminés, les jets dorsaux sont en fonction et vous pouvez ajuster la vitesse de pulsation en utilisant les flèches haut et bas.
- **Chauffe-eau** - Le chauffe-eau s'active automatiquement lorsque la baignoire à hydromassage est mise en service. Pour arrêter le chauffe-eau, tourner la bague extérieure jusqu'à ce que le voyant clignote et appuyer sur "OK." Presser encore une fois sur "OK" pour remettre le chauffe-eau en fonction. Le chauffe-eau aidera à maintenir la température d'eau à 104°F (40°C).
- **Barre indicatrice** - Indique le volume du débit d'eau sous le mode Flexjet. Montre la puissance de pulsation du jet pour le cou ou dos.
- **Mode effervescence** - Les ports effervescence s'activent pour créer une action douce, relaxante à bulles d'air. Le mode Flexjet, jets dorsaux et du cou s'arrêteront automatiquement quand le mode effervescence est activé.
- **Cycle de chromathérapie** - Les lumières de chromathérapie s'illumineront automatiquement et de manière continue à travers un cycle de huit couleurs: blanc, violet, bleu indigo, aigue-marine, verte, jaune, orange et rouge. Un cycle des huit couleurs dure à peu près une minute.
- **Sélection d'une couleur de chromathérapie spécifique** - Lorsque ce mode est sélectionné, vous pouvez sélectionner une couleur spécifique pour la baignoire.



Opérer votre baignoire à hydromassage

- Tourner complètement la bague du jet vers la gauche. Orienter les jets vers le fond du bassin.

REMARQUE : La température de la baignoire à hydromassage ne doit pas excéder 104°F (40°C). Un chauffe-eau encastré maintient automatiquement la température d'eau quand la baignoire à hydromassage est en marche, et tant que la température d'eau ne dépasse pas 104°F (40° C). Le chauffe-eau s'arrêtera aux températures plus hautes.

- Fermer le drain, et remplir la baignoire à hydromassage à un niveau d'au moins 2" (5,1 cm) au-dessus du jet le plus élevé. Tester la température de l'eau avec votre main, puis entrer dans la baignoire doucement.
- Appuyer sur le bouton de marche pour démarrer la baignoire à hydromassage. La baignoire à hydromassage commencera à opérer à débit moyen. Le chauffe-eau démarrera et son voyant lumineux s'allumera.
- Augmenter ou diminuer le débit de l'eau en pressant sur les flèches du clavier. Une barre d'indication située au centre du clavier indique le volume du débit d'eau.
- Ajuster les jets pour un mélange optimal de l'eau et de l'air. Tourner la bague du jet vers la droite pour réduire le débit, ou vers la gauche l'augmenter. Orienter les jets pour diriger le débit d'eau vers la direction désirée pour optimiser l'action d'hydromassage.
- Le chauffe-eau s'active automatiquement lorsque la baignoire à hydromassage est en service, et s'éteint lorsque le moteur de la pompe est arrêté. Le chauffe-eau peut être arrêté par le clavier et à tout moment quand la pompe est en fonction.
- Appuyer une deuxième fois pour arrêter la baignoire à hydromassage.

REMARQUE : Votre baignoire à hydromassage s'arrêtera automatiquement après environ 20 minutes de fonctionnement. Vous pouvez redémarrer la baignoire à hydromassage, si désiré, en appuyant sur le bouton de mise en marche.

- Sortir doucement de la baignoire à hydromassage, et ouvrir le drain pour la vider.

REMARQUE : Consulter la section "Dépannage" de ce manuel avant d'appeler un représentant en service qualifié.

Opération du jet pour le cou et dorsal (si équipé)

- S'assurer que la housse soit bien placée sur l'oreiller et que celui-ci soit attaché sur le corps du jet pour le cou.

Opération du jet pour le cou et dorsal (si équipé) (cont.)

REMARQUE : Si l'oreiller n'est pas correctement installé, les jets pour le cou s'arrêteront. L'indicateur du jet pour le cou et la barre d'indication du clavier clignoteront. Les jets pour le cou redémarreront quand l'oreiller sera correctement installé.

- La baignoire à hydromassage en marche, tourner la bague extérieure du jet pour le cou jusqu'à ce que son icône sur le clavier clignote. Appuyer sur "OK" pour activer les jets pour le cou. Les pulsations des jets pour le cou commenceront à une vitesse moyenne.
- Pour augmenter ou diminuer la puissance des jets pour le cou, appuyer sur les flèches haut et bas du clavier, pendant que le mode jets pour le cou est actif.
- Pour augmenter ou diminuer le débit des jets pour le cou, tourner la bague extérieure du Flexjet jusqu'à ce que la fonction du clavier clignote, appuyer sur "OK" et appuyer sur une des flèches haut ou bas du clavier. Ceci augmente ou diminue aussi le débit à tous les modes.
- Pivoter la bague extérieure jusqu'à ce que l'icône du jet dorsal clignote et appuyer sur "OK". Les impulsions du jet dorsal commenceront à une vitesse moyenne. Les jets dorsaux injectent l'eau depuis le fond de la baignoire à hydromassage vers le haut avec un flux émanant de deux jets à la fois.

REMARQUE : Si le niveau d'eau baisse en-dessous des capteurs, les jets dorsaux s'arrêteront. L'icône du jet dorsal et la barre indicatrice du clavier clignoteront. Les jets dorsaux redémarreront automatiquement lorsque le niveau de l'eau recouvre les capteurs.

- Pour augmenter ou diminuer la puissance de pulsation des jets du cou, appuyer sur les flèches haut et bas du clavier, pendant que le mode de jet dorsal est actif.
- Pour augmenter ou diminuer le débit des jets dorsaux, tourner la bague extérieure du Flexjet jusqu'à ce que la fonction du clavier clignote, appuyer sur "OK" et appuyer sur une des flèches haut ou bas du clavier. Ceci augmente ou diminue aussi le débit à tous les modes.

REMARQUE : Pour activer ou désactiver des fonctions quand le mode d'hydromassage pour le cou et/ou dorsal est en fonction, tourner la bague extérieure jusqu'à ce que le voyant désiré clignote, puis appuyer sur "OK". (Exemple: Pour arrêter le chauffe-eau, tourner la bague extérieure jusqu'à ce que l'icône clignote et appuyer sur "OK".)

- Appuyer sur "OK" quand le mode jet pour le cou est actif pour arrêter ces jets.
- Appuyer sur "OK" lorsque le mode jets dorsaux est actif pour les arrêter.

Opération effervescence (si équipée)

- Avec la baignoire à hydromassage en route, tourner la bague extérieure jusqu'à ce que l'icône de la fonction effervescence du clavier clignote. Appuyer sur "OK" pour activer les ports d'effervescence. L'action d'effervescence commencera au même débit que celui du dernier mode Flexjet.
- Augmenter ou diminuer le débit d'eau en pressant sur les flèches haut ou bas du clavier.

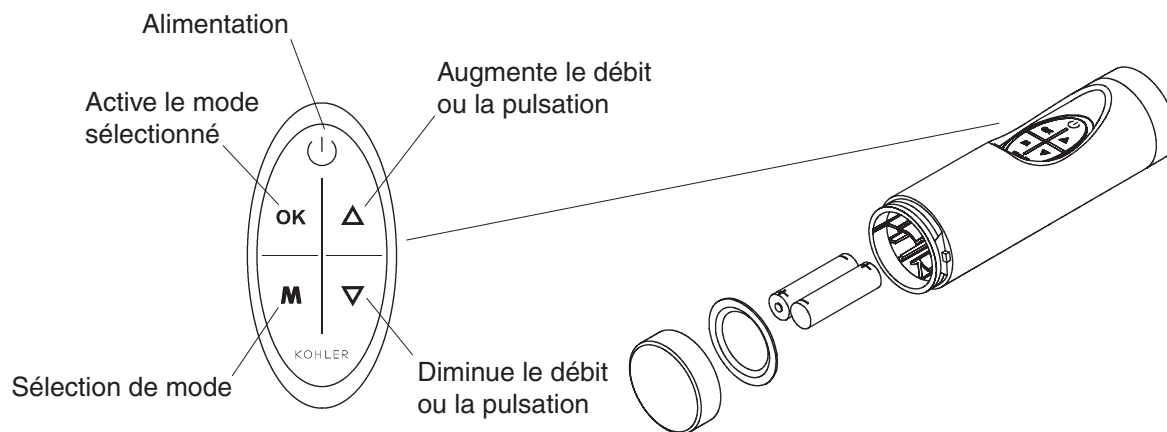
REMARQUE : Le mode effervescence est destiné à une expérience relaxante, calmante. Le mode Flexjet, jets dorsaux et du cou s'arrêteront automatiquement quand le mode effervescence est activé. Le système chromathérapie peut être utilisé dans tous les modes d'opération.

- Appuyer sur "OK" quand le mode chromathérapie est activé pour arrêter les ports de l'effervescence.

Opération chromathérapie (si équipé)

REMARQUE : La chromathérapie peut être utilisée avec tous les modes d'opération. Le système chromathérapie peut être utilisé quand la pompe n'est pas opérationnelle.

- **Cycle de chromathérapie** - Quand ce mode est activé, les lumières de chromathérapie vont continuellement et automatiquement passer le cycle de huit couleurs; blanc, violet, bleu indigo, aigue-marine, vert, jaune, orange et rouge. Un cycle des huit couleurs dure à peu près une minute. Tourner la bague extérieure pour sélectionner ce mode et appuyer sur "OK" pour l'activer. Presser sur "OK" quand le mode chromathérapie est actif pour éteindre les lumières.
- **Sélection d'une couleur de chromathérapie spécifique** - Lorsque ce mode est activé, vous pouvez sélectionner une couleur spécifique pour votre bain. Tourner la bague extérieure pour sélectionner ce mode, appuyer sur "OK" pour l'activer et utiliser les flèches haut/bas pour choisir votre couleur. Presser sur "OK" quand le mode chromathérapie est actif pour éteindre les lumières.



Télécommande

La télécommande met toutes les fonctions de la baignoire à hydromassage à la portée de la main, pour améliorer d'avantage votre expérience de bain.

Les fonctions de la télécommande sont les mêmes que celles du clavier. Vous pouvez arrêter ou démarrer la baignoire à hydromassage, arrêter ou démarrer le chauffe-eau, et accéder/modifier toutes les fonctions de la baignoire à hydromassage.

Le bouton de sélection fonctionne de la même manière que la bague extérieure. Quand "M" est pressé, un des modes clignotera sur le clavier. Si "M" est pressé à nouveau, le prochain mode vers la droite clignotera. Quand le mode désiré clignote, presser sur "OK" pour l'activer.

Quand le mode Flexjets est actif, les flèches augmenteront ou diminueront le volume d'eau.

La télécommande étanche est conçue pour être utilisée dans le bain, et flottera sur l'eau.

Deux piles AAA sont nécessaires pour la télécommande. Pour les remplacer, dévisser le couvercle et insérer les piles comme indiqué ci-dessus. Serrer soigneusement, en s'assurant que le bouchon soit en contact avec le joint.

Programmer votre télécommande

IMPORTANT ! La programmation de la télécommande est requise. La baignoire à hydromassage ne répondra à aucune télécommande jusqu'à ce que la télécommande soit programmée. Si votre télécommande ou le contrôle de la pompe est remplacé, il vous sera peut être nécessaire de programmer la télécommande.

- Mettre en marche la baignoire à hydromassage.
- Arrêter tous les modes d'opération. Attendre approximativement une minute jusqu'à ce que le clavier soit complètement assombri. (Mode veille)
- Presser simultanément les boutons du clavier sur la flèche vers le HAUT, flèche vers le BAS et le "OK" simultanément. Le bouton LED, de la barre d'indication du clavier commencera à clignoter.
- Alors que la LED clignote, presser sur le bouton "OK" du clavier. Une séquence de lumières s'illuminera de haut en bas de la barre d'indication.
- Pendant que la séquence de la barre d'indication est active, presser sur n'importe quel bouton de la télécommande. Le clavier arrêtera la séquence lumière, procédera à un téléchargement puis s'assombri. Ce clavier de l'utilisateur ne répondra qu'à cette télécommande.

REMARQUE : Si on ne presse aucun bouton de la télécommande dans les deux minutes, la baignoire à hydromassage ne répondra pas à la télécommande.

Conforme FCC

FCC ID : N82-KOHLER001

Canada ID : 4554A-KOHLER001

Déclaration de conformité (Partie 15.19)

Cet appareil est conforme avec la Partie 15 de la réglementation FCC et RSS-210 Canada Industrie. L'opération est sujette aux deux conditions suivantes:

1. Cet appareil ne devrait pas causer d'interférences dangereuses, et
2. Cet appareil doit recevoir les toutes interférences reçues, ainsi que celles qui pourraient causer des opérations non désirées.

Danger (Partie 15.21)

Tous changements ou modifications non expressément approuvés par la partie responsable garantissant la conformité, pourrait annuler le droit à l'opérateur d'utiliser l'équipement.

Entretien et nettoyage

Pour de meilleurs résultats, prendre ce qui suit en considération lors de l'entretien de votre produit KOHLER:

- Utiliser un détergent doux tel que liquide pour vaisselle et de l'eau chaude pour nettoyer. Ne pas utiliser de nettoyants abrasifs car ils pourraient rayer ou abîmer la surface.
- Lire attentivement l'étiquette du produit de nettoyage pour vérifier qu'il soit adéquat à utiliser sur le matériau.
- Toujours tester la solution de nettoyage sur une surface la moins évidente avant de l'appliquer sur la totalité de la surface.
- Ne pas permettre aux nettoyants de reposer sur la surface.
- Essuyer les surfaces et rincer complètement avec de l'eau immédiatement après l'application du nettoyant. Rincer et sécher tout éclaboussement sur les surfaces avoisinantes.
- Utiliser une éponge ou un chiffon doux et humide. Ne jamais utiliser de matériau abrasif tel que brosse ou éponges à récurer pour nettoyer les surfaces.

Pour l'information détaillée de nettoyage et des produits à considérer, visiter www.kohler.com/clean. Pour commander des informations d'entretien et de nettoyage, composer le 1-800-456-4537 puis presser 1 pour les produits Kohler et 3 pour littérature.

Purger le système de baignoire d'hydromassage

- Purger le système d'hydromassage deux fois par mois ou plus, selon la fréquence d'utilisation. Suivre la séquence suivante:
 - Tourner les bagues de garniture du jet complètement vers la droite pour supprimer l'injection de l'air.
 - Remplir la baignoire à hydromassage avec de l'eau chaude à un niveau d'au moins 2" (5,1 cm) au-dessus des jets les plus élevés, ou laisser l'eau dans la baignoire à hydromassage après l'usage.
 - Ajouter à l'eau 2 cuillères à soupe (30 ml) d'un détergent pour lave-vaisselle peu moussant et 20 onces (590 ml) d'eau de javel (5% - 6% d'hypochlorite de sodium).
 - Faire fonctionner la baignoire à hydromassage pendant 5 à 10 minutes. Arrêter la baignoire à hydromassage et purger.
 - Si désiré, rincer les surfaces de la baignoire avec de l'eau.
 - Rincer les surfaces des jets, le robinet, les barres d'appuis, le drain, etc. et sécher avec un chiffon doux.

Garantie limitée d'un an

Les produits de plomberie KOHLER sont garantis contre tout défaut matériel et de fabrication pour un an, à partir de la date de l'installation.

Kohler Co. jugera à sa discrétion, de la réparation, du remplacement ou du réglage approprié et ceci après toute inspection faite par Kohler Co. de tous défauts dûs à une utilisation normale et ceci pendant un (1) an à partir de la date d'installation. Kohler Co. n'est pas responsable des coûts de démontage ou d'installation. L'utilisation de nettoyeurs à l'intérieur du réservoir annulera la garantie.

Pour obtenir un service-garantie, contacter Kohler Co. par l'intermédiaire de votre vendeur, plombier, centre de rénovation, revendeur par internet ou par écrit à Kohler Co. à l'attention de: Département du service clientèle, 444 Highland Drive, Kohler, Wisconsin 53044, USA, ou en composant le 1-800-4-KOHLER à partir des É.U., le 1-800-964-5590 à partir du Canada et le 001-877-680-1310 depuis le Mexique.

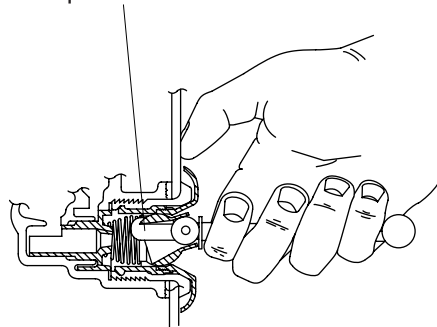
Les garanties implicites, y compris celles de qualité marchande et d'aptitude à un emploi particulier, se limitent expressément à la durée de la présente garantie. Kohler Co. et/ou le vendeur déclinent toutes responsabilités contre tous dommages occasionnés, imprévisibles ou corrélatifs.

Certains états/provinces ne permettent pas la limitation sur la durée de la garantie, ou l'exclusion ou la limitation spéciale, de dommages occasionnés, ou corrélatifs à un accident, ainsi ces limitations ou exclusions pourraient ne pas s'appliquer dans votre cas. Cette garantie vous donne des droits légaux spécifiques. Vous pouvez également avoir d'autres droits qui varient d'un état/province à l'autre.

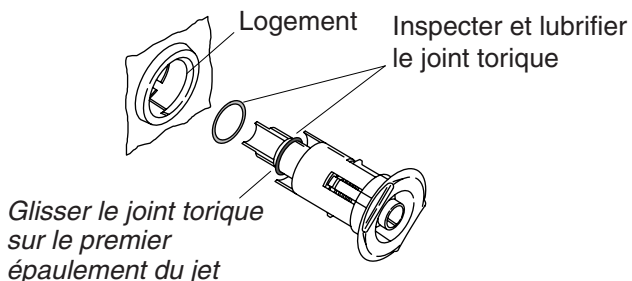
Ceci constitue la garantie écrite exclusive de Kohler Co.

Retirer les jets

Insérer l'outil en crochet comme indiqué, et retirer le jet hors de son logement. Le gicleur devrait être vers le haut quand cela sera terminé.



Réinstaller les jets



Insérer le jet dans son logement, tourner et pousser doucement jusqu'à ce qu'il s'enclenche en position

Procédures de dépannage

Retirer les jets

REMARQUE : Un outil spécial est fourni avec les jets pour permettre de les retirer de la baignoire à hydromassage. Cet outil est aussi fourni avec chaque kit de garniture.

- Positionner le jet de façon à ce qu'il pointe vers le haut.

REMARQUE : Le gicleur doit rester pointé vers le haut pour que l'outil ne glisse pas.

- Insérer l'outil d'extraction, avec son côté crochet vers le haut dans l'ouverture du jet et accrocher la partie supérieure du gicleur.
- Tenir l'outil fermement et placer le pouce contre le mur de la baignoire à hydromassage. Tirer avec force sur l'outil jusqu'à ce que l'ensemble du jet sorte du trou. Faire attention à ne pas perdre le joint torique.

Réinstaller les jets

REMARQUE : Le joint torique doit être positionné correctement, il doit être en bon état et lubrifié correctement afin d'assurer la rotation et le bon fonctionnement du jet.

- Installer le joint torique sur le **premier rebord** du jet. Lubrifier le joint torique avec de la silicone de lubrification afin d'éviter le fonctionnement bruyant du jet.
- Insérer délicatement le jet dans le logement, puis pousser et pivoter légèrement jusqu'à ce qu'il s'enclenche en place. **Ne pas forcer le jet.**

REMARQUE : Lorsqu'il est bien installé, le jet devrait pivoter aisément dans les deux sens.

Guide de dépannage

Ce guide de dépannage est seulement destiné à une aide générale. Seul un agent agréé de Kohler ou un électricien qualifié devrait corriger tous les problèmes électriques. Pour une réparation sous garantie, contacter le vendeur ou distributeur.

Dépannage du système d'hydromassage

Symptômes	Causes probables	Action recommandée
1. Le clavier ne s'illumine pas quand le bouton est pressé ou quand la bague extérieure est tournée.	A. Pas d'alimentation au contrôle.	A. Vérifier le câblage et connecter l'alimentation électrique. Si le problème persiste, contacter l'installateur/revendeur.

Procédures de dépannage (cont.)

Dépannage du système d'hydromassage

Symptômes	Causes probables	Action recommandée
	<p>B. Le disjoncteur GFCI ou RCD est déclenché.</p> <p>C. Le harnais du câblage du clavier est desserré, débranché ou endommagé.</p> <p>D. Le clavier ne fonctionne pas.</p> <p>E. Le contrôle ne fonctionne pas.</p>	<p>B. Réinitialiser le GFCI ou le RCD.</p> <p>C. Vérifier que les connexions du câblage soient correctes. Remplacer le harnais du câblage si nécessaire. Contacter l'installateur/vendeur.</p> <p>D. Remplacer le clavier. Contacter l'installateur/vendeur.</p> <p>E. Remplacer le contrôle. Contacter l'installateur/vendeur.</p>
2. Le moteur démarre, mais tous les jets ne fonctionnent pas.	<p>A. Le jet est fermé.</p> <p>B. Le jet n'est pas installé correctement.</p> <p>C. Les jets sont bloqués.</p>	<p>A. Tourner la bague du jet vers la gauche pour l'ouvrir.</p> <p>B. Réinstaller le jet; s'assurer que le joint torique ne soit pas endommagé.</p> <p>C. Retirer l'obstruction.</p>
3. Le clavier est illuminé mais, ne répond pas aux boutons ou à l'anneau.	<p>A. Le programme de contrôle est verrouillé.</p> <p>B. Le harnais du câblage du clavier est desserré, débranché ou endommagé.</p> <p>C. Le clavier ne fonctionne pas.</p> <p>D. Le contrôle ne fonctionne pas.</p>	<p>A. Réinitialiser le GFCI ou le RCD.</p> <p>B. Vérifier que les connexions du câblage soient correctes. Remplacer le harnais du câblage si nécessaire. Contacter l'installateur/vendeur.</p> <p>C. Remplacer le clavier. Contacter l'installateur/vendeur.</p> <p>D. Remplacer le contrôle. Contacter l'installateur/vendeur.</p>
4. La barre d'indication du clavier continue le balayage au démarrage.	<p>A. Le programme de contrôle est verrouillé.</p> <p>B. Le harnais du câblage du clavier est desserré, débranché ou endommagé.</p> <p>C. Le clavier ne fonctionne pas.</p> <p>D. Le contrôle ne fonctionne pas.</p>	<p>A. Réinitialiser le GFCI ou le RCD.</p> <p>B. Vérifier que les connexions du câblage soient correctes. Remplacer le harnais du câblage si nécessaire. Contacter l'installateur/vendeur.</p> <p>C. Remplacer le clavier. Contacter l'installateur/vendeur.</p> <p>D. Remplacer le contrôle. Contacter l'installateur/vendeur.</p>
5. Le clavier est illuminé, mais la pompe ne démarrera pas.	<p>A. Le câble d'alimentation de la pompe est desserré, déconnecté ou endommagé.</p> <p>B. La pompe ne fonctionne pas.</p> <p>C. Le contrôle ne fonctionne pas.</p>	<p>A. Vérifier que les connexions du câblage soient correctes. Si le problème persiste, contacter l'installateur/revendeur.</p> <p>B. Remplacer la pompe. Contacter l'installateur/vendeur.</p> <p>C. Remplacer le contrôle. Contacter l'installateur/vendeur.</p>
6. Le moteur fonctionne mais la pompe ne démarrera pas (cavitante).	<p>A. La pompe est trop élevée.</p> <p>B. Petite fuite d'air à l'entrée de la pompe.</p> <p>C. Le moteur/la pompe ne fonctionne pas.</p> <p>D. Le contrôle ne fonctionne pas.</p>	<p>A. Baisser la pompe/contrôle au niveau du plancher.</p> <p>B. Serrer soigneusement le(s) écrou(s) des tuyaux de l'admission de la pompe.</p> <p>C. Remplacer le moteur/la pompe. Contacter l'installateur/vendeur.</p> <p>D. Remplacer le contrôle. Contacter l'installateur/vendeur.</p>

Procédures de dépannage (cont.)

Dépannage du système d'hydromassage

Symptômes	Causes probables	Action recommandée
7. La pompe s'arrête automatiquement avant 18 minutes.	<p>A. Les disjoncteurs GFCI ou RCD se déclenchent.</p> <p>B. L'aspiration est bloquée.</p> <p>C. Les jets sont bloqués.</p> <p>D. Moteur surchauffé et système de protection activé.</p>	<p>A. Identifier la source du problème puis y remédier. Réinitialiser le GFCI ou le RCD.</p> <p>B. Retirer l'obstruction.</p> <p>C. Retirer l'obstruction.</p> <p>D. Vérifier s'il y a un blocage à l'aspiration et/ou aux jets. Retirer l'obstruction et laisser refroidir le moteur.</p>
8. La pompe ne s'arrête pas automatiquement après 22 minutes.	<p>A. La minuterie de 20 minutes s'arrête par inadvertance.</p>	<p>A. Consulter le manuel de service.</p>
9. La pompe ne s'arrêtera pas quand le bouton de marche du clavier est pressé.	<p>A. Le clavier ne fonctionne pas.</p> <p>B. Le contrôle ne fonctionne pas.</p>	<p>A. Remplacer le clavier. Contacter l'installateur/vendeur.</p> <p>B. Remplacer le contrôle. Contacter l'installateur/vendeur.</p>
10. La pompe fonctionne, mais la fonction de vitesse variable ne fonctionne pas.	<p>A. Le moteur/la pompe ne fonctionne pas.</p> <p>B. Le contrôle ne fonctionne pas.</p>	<p>A. Remplacer le moteur/la pompe. Contacter l'installateur/vendeur.</p> <p>B. Remplacer le contrôle. Contacter l'installateur/vendeur.</p>
11. L'eau de la baignoire se refroidit pendant l'opération de la pompe.	<p>A. La température de l'eau est au dessus de 104°F (40°C).</p> <p>B. Le chauffe-eau est arrêté par le clavier.</p> <p>C. Le câblage du chauffe-eau au contrôle est desserré, débranché ou endommagé.</p> <p>D. Le chauffe-eau ne fonctionne pas.</p> <p>E. Le contrôle ne fonctionne pas.</p>	<p>A. Laisser l'eau du bain refroidir.</p> <p>B. Mettre le chauffe-eau en marche.</p> <p>C. Vérifier que les connexions du câblage soient correctes. Contacter l'installateur/vendeur.</p> <p>D. Remplacer le chauffe-eau. Contacter l'installateur/vendeur.</p> <p>E. Remplacer le contrôle. Contacter l'installateur/vendeur.</p>
12. Fonctionnement bruyant.	<p>A. Les sangles de retenue de la pompe n'ont pas été coupées.</p> <p>B. Joint torique sec ou délogé (crissement).</p>	<p>A. Couper les sangles de retenue avec des cisailles de ferblantier.</p> <p>B. Retirer le jet, remplacer et lubrifier le joint torique, et réinstaller le jet.</p>
13. La télécommande (si équipé) ne fonctionne pas.	<p>A. Les piles sont mal installées ou épuisées.</p> <p>B. L'antenne du câblage électrique est endommagée.</p> <p>C. La télécommande n'est pas correctement programmée.</p> <p>D. La télécommande ne fonctionne pas.</p> <p>E. Le contrôle ne fonctionne pas.</p>	<p>A. Remplacer les piles.</p> <p>B. Remplacer le harnais de câblage électrique. Contacter l'installateur/vendeur.</p> <p>C. Voir le guide du propriétaire ou le manuel de service de la télécommande.</p> <p>D. Remplacer la télécommande.</p> <p>E. Remplacer le contrôle. Contacter l'installateur/vendeur.</p>
14. Le clavier ne répond pas quand le mode jets pour le cou est sélectionné.	<p>A. Le clavier ne fonctionne pas.</p>	<p>A. Remplacer le clavier. Contacter l'installateur/vendeur.</p>

Procédures de dépannage (cont.)

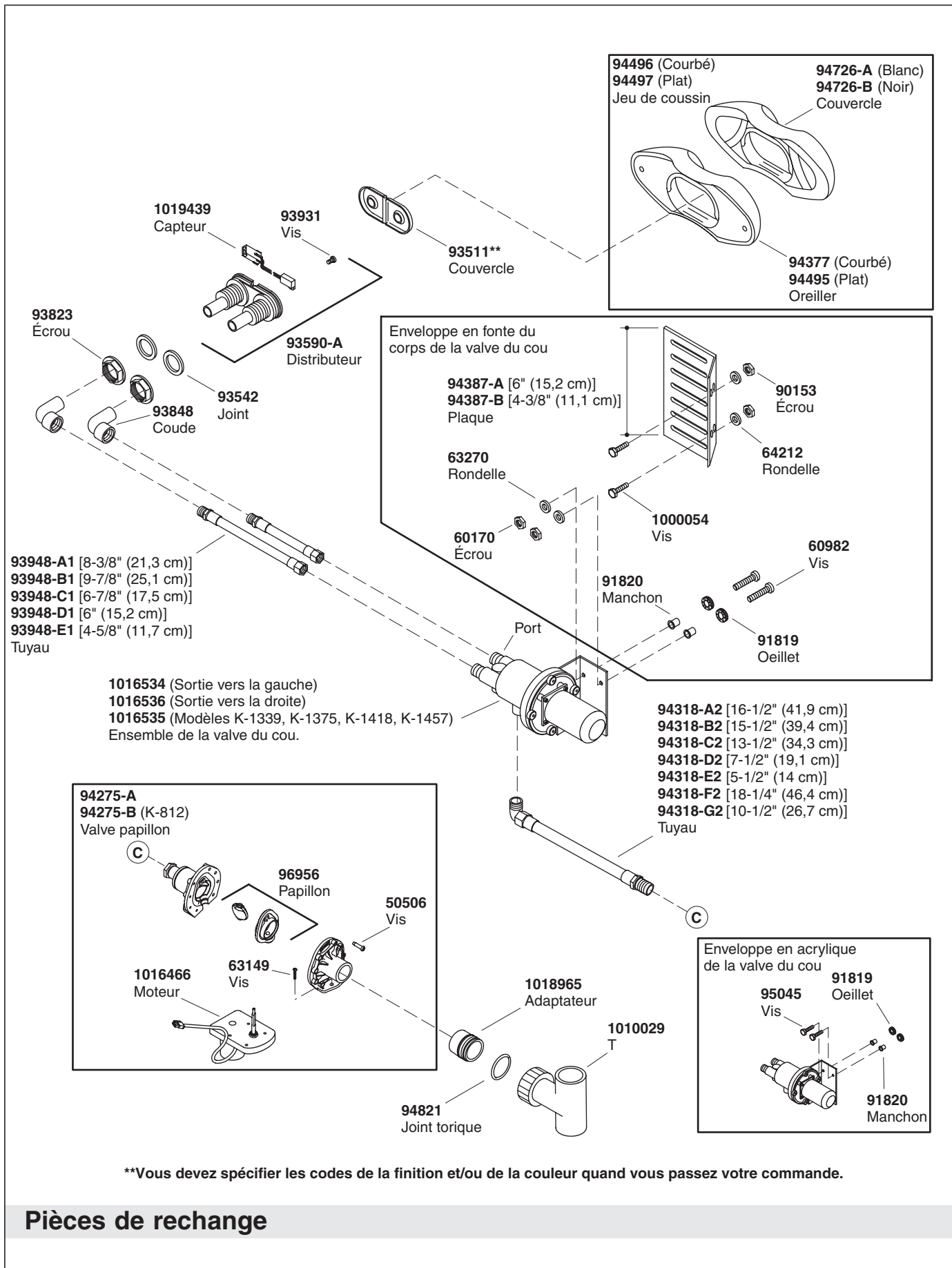
Dépannage du système d'hydromassage

Symptômes	Causes probables	Action recommandée
15. La pompe fonctionne mais les jets pour le cou ne fonctionnent pas. La barre indicatrice du clavier clignote.	<p>A. Le coussin n'est pas installé.</p> <p>B. L'interrupteur bilame ne fonctionne pas.</p> <p>C. Le câblage du jet pour le cou est desserré, débranché ou cassé.</p>	<p>A. S'assurer que le coussin soit bien attaché au jet pour le cou.</p> <p>B. Vérifier le câblage l'interrupteur bilame et remplacer si nécessaire.</p> <p>C. Vérifier que les connexions du câblage soient correctes. Remplacer le harnais du câblage si nécessaire. Contacter l'installateur/vendeur.</p>
16. La pompe fonctionne mais les jets pour le cou ne fonctionnent pas. La barre indicatrice du clavier NE clignote PAS.	<p>A. Le conduit du jet pour le cou est bouché.</p> <p>B. Le câblage du jet pour le cou est desserré, débranché ou cassé.</p> <p>C. La valve papillon ne fonctionne pas.</p> <p>D. Le contrôle ne fonctionne pas.</p>	<p>A. Déconnecter les tuyaux du jet pour le cou et retirer l'obstruction.</p> <p>B. Vérifier que les connexions du câblage soient correctes. Remplacer le harnais du câblage si nécessaire. Contacter l'installateur/vendeur.</p> <p>C. Remplacer la valve papillon. Contacter l'installateur/vendeur.</p> <p>D. Remplacer le contrôle. Contacter l'installateur/vendeur.</p>
17. L'eau coule des jets pour le cou, mais pas d'impulsion.	<p>A. Le câblage des jets d'hydromassage pour le cou au boîtier de contrôle est desserré ou endommagé.</p> <p>B. La cartouche d'impulsion ne fonctionne pas.</p> <p>C. Le contrôle ne fonctionne pas.</p>	<p>A. Vérifier que les connexions du câblage soient correctes. Remplacer le harnais du câblage si nécessaire. Contacter l'installateur/vendeur.</p> <p>B. Remplacer la cartouche d'impulsion. Contacter l'installateur/vendeur.</p> <p>C. Remplacer le contrôle. Contacter l'installateur/vendeur.</p>
18. Les jets dorsaux ne fonctionnent pas.	<p>A. La pompe de la baignoire à hydromassage ne fonctionne pas.</p> <p>B. La valve papillon du jet dorsal ne s'ouvre pas.</p> <p>C. Il n'y a pas suffisamment d'eau dans la baignoire à hydromassage.</p> <p>D. L'interrupteur de l'actionneur ne fonctionne pas.</p> <p>E. L'alimentation du moteur de la pompe au contrôle est arrêtée.</p> <p>F. Les tuyaux des jets dorsaux sont bouchés.</p> <p>G. Le câblage de l'interrupteur depuis le contrôle est débranché.</p>	<p>A. Activer la pompe.</p> <p>B. Vérifier s'il y a des connexions ou des câbles desserrés depuis la cartouche d'impulsion dorsale et jusqu'au contrôle. Remplacer la cartouche d'impulsion des jets dorsaux ou le contrôle si nécessaire. Contacter l'installateur/vendeur.</p> <p>C. Remplir la baignoire à hydromassage de façon à ce que le niveau d'eau recouvre les capteurs.</p> <p>D. Remplacer l'interrupteur de l'actionneur. Contacter l'installateur/vendeur.</p> <p>E. Vérifier s'il y a des connexions ou câbles desserrés, depuis le moteur de la pompe jusqu'au contrôle. Contacter l'installateur/vendeur.</p> <p>F. Retirer l'obstruction.</p> <p>G. Raccorder ou remplacer les câbles de l'interrupteur qui emploient une fiche modulaire. Contacter l'installateur/vendeur.</p>

Procédures de dépannage (cont.)

Dépannage du système d'hydromassage

Symptômes	Causes probables	Action recommandée
19. Les jets dorsaux ne fonctionnent pas.	<p>A. La cartouche d'impulsion ne fonctionne pas.</p> <p>B. L'interrupteur ne fonctionne pas.</p> <p>C. Le câblage de l'interrupteur depuis le contrôle est débranché.</p>	<p>A. Vérifier s'il y a des connexions ou des câbles desserrés depuis la cartouche d'impulsion au contrôle. Remplacer la cartouche d'impulsion ou le contrôle si nécessaire. Contacter l'installateur/vendeur.</p> <p>B. Remplacer l'interrupteur. Contacter l'installateur/vendeur.</p> <p>C. Raccorder ou remplacer les câbles de l'interrupteur qui emploient une fiche modulaire. Contacter l'installateur/vendeur.</p>
20. Ports des jets effervescence ne fonctionnent pas.	<p>A. La pompe de la baignoire à hydromassage ne fonctionne pas.</p> <p>B. La valve papillon ne fonctionne pas.</p> <p>C. Le pompe ne fonctionne pas.</p> <p>D. Le contrôle ne fonctionne pas.</p>	<p>A. Activer la pompe.</p> <p>B. Remplacer la valve papillon. Contacter l'installateur/vendeur.</p> <p>C. Se référer au manuel de service pour dépanner le système. Contacter l'installateur/vendeur.</p> <p>D. Remplacer le contrôle. Contacter l'installateur/vendeur.</p>
21. Les ports d'effervescence ne font pas de bulles.	<p>A. La ligne d'aspiration d'air est bouchée.</p> <p>B. Le débit d'eau est trop faible.</p>	<p>A. Retirer le blocage.</p> <p>B. Pas de débit d'eau.</p>
22. Les lumières de chromothérapie ne fonctionnent pas.	<p>A. Le câblage est desserré ou endommagé.</p> <p>B. Le contrôle ne fonctionne pas.</p>	<p>A. Vérifier que les connexions du câblage soient correctes. Remplacer le câblage si nécessaire. Contacter l'installateur/vendeur.</p> <p>B. Remplacer le contrôle. Contacter l'installateur/vendeur.</p>



****Vous devez spécifier les codes de la finition et/ou de la couleur quand vous passez votre commande.**

Pièces de rechange

1003065
Outil d'extraction de la
bride d'aspiration



73518
Bouchon



93685
Logement



96708
Bride



65886 (Acrylique et FRP)
60050 (Fonte)
Joint d'étanchéité

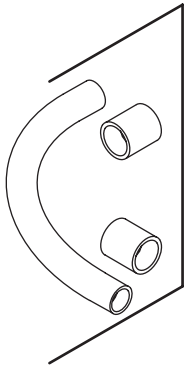
65054**
Vis



96895** (Finitions colorées)
65061** (Finitions métalliques)
Couvercle



65226**
Capuchon de la vis du
couvercle d'aspiration



93836 (1/2")
93837 (3/4")
93838 (1")
93839 (1-1/4")
94853 (1-1/2")
Tuyau (avec raccords)

91967
Clapet de
retenue



94469
Outil d'extraction
de la bride



67665
Bouchon

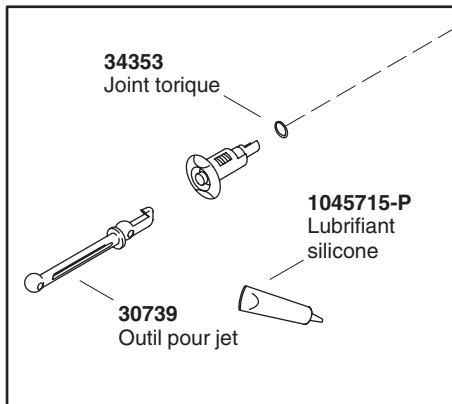


67429
Bride



67889
Logement du jet

65885 (Acrylique et FRP)
67668 (Fonte)
Joint d'étanchéité



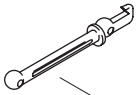
34353
Joint torique



1045715-P
Lubrifiant
silicone



30739
Outil pour jet



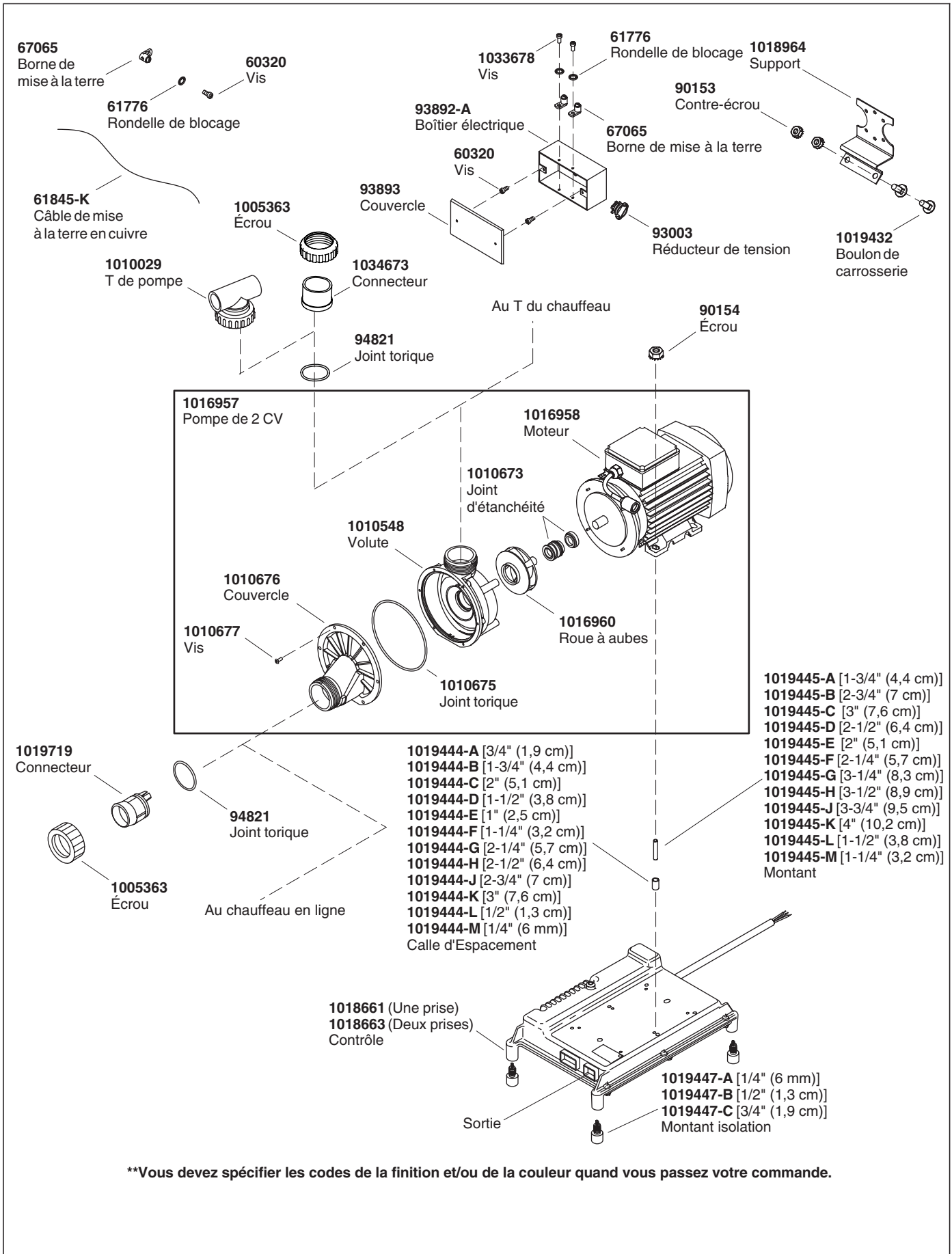
**Jet unique pour baignoire à hydromassage
avec 5 jets ou moins**

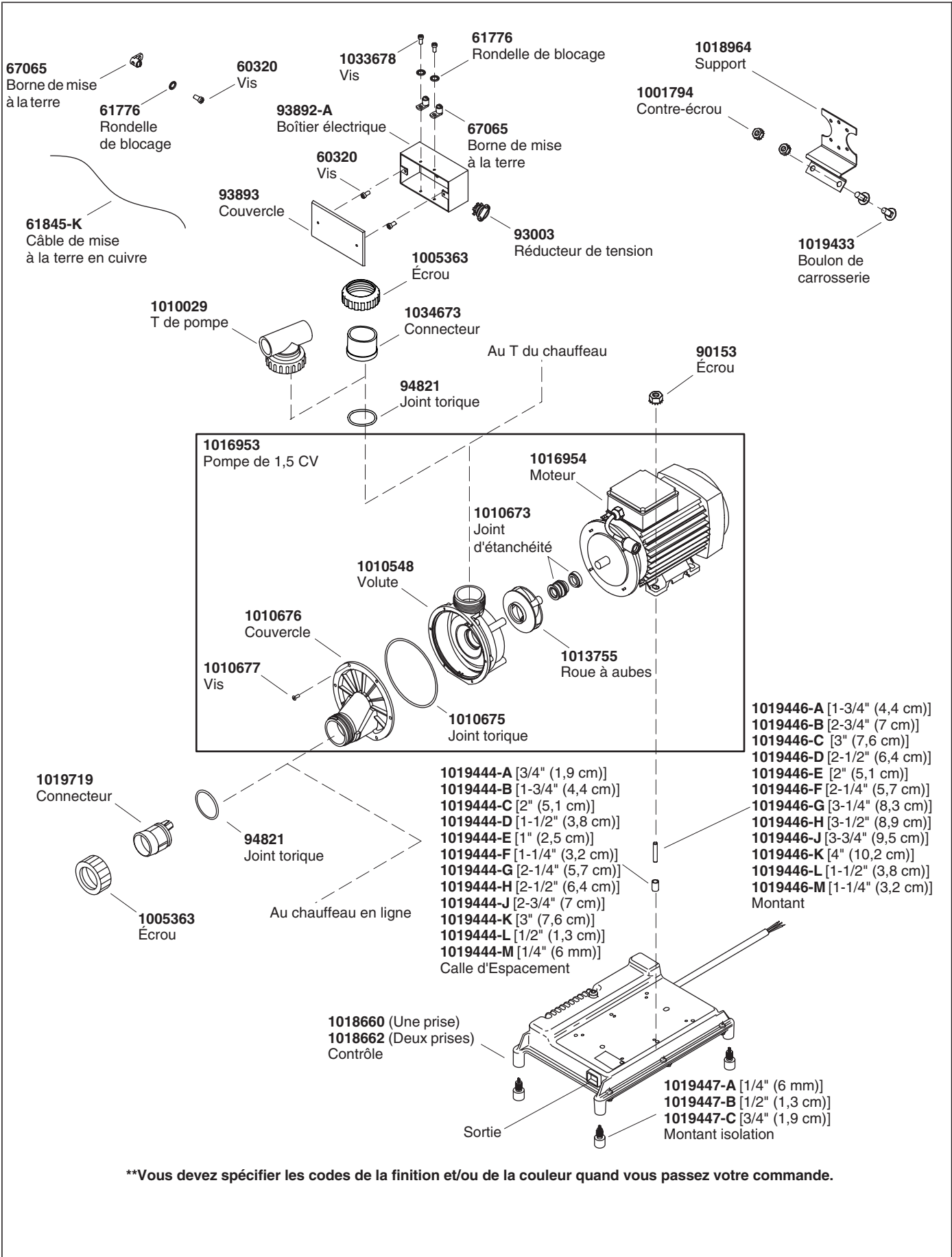
88532** (Finitions colorées)
88531** (Finitions métalliques)
Jet

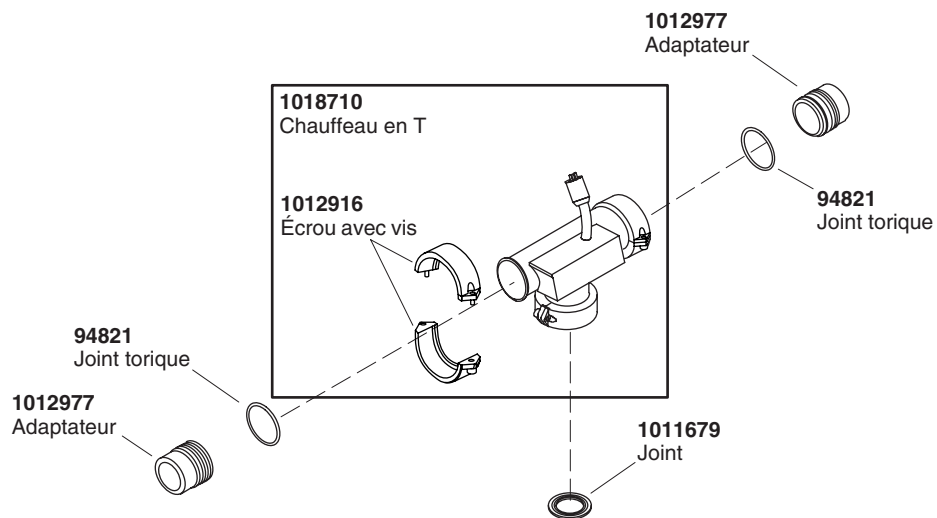
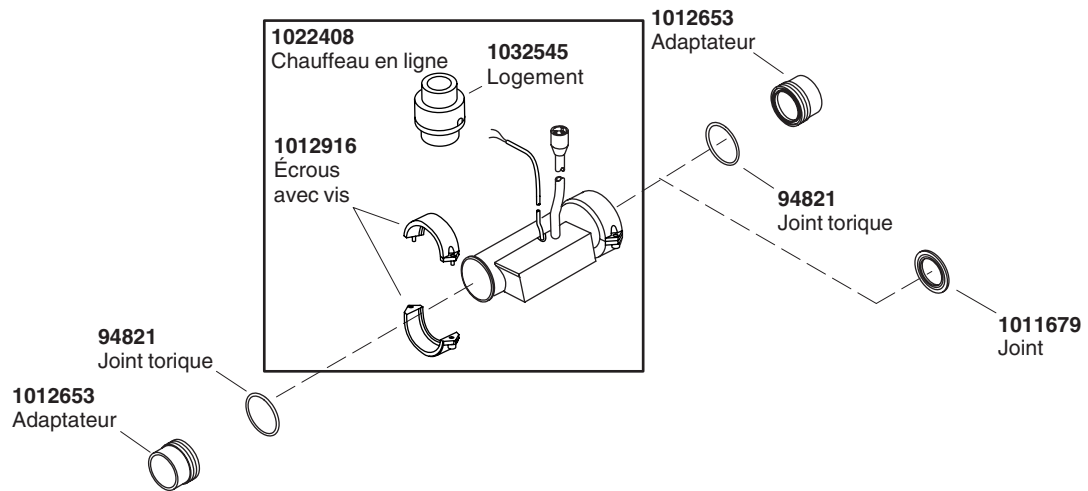
**Jet unique pour baignoire à hydromassage
avec 6 jets ou plus**

88530** (Finitions colorées)
88529** (Finitions métalliques)
Jet

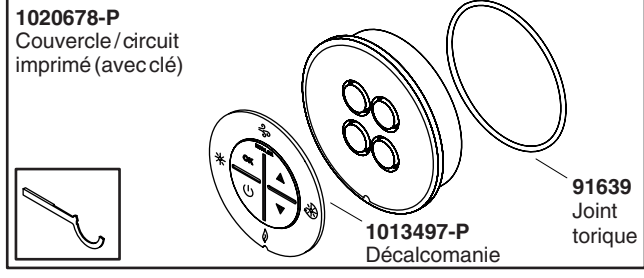
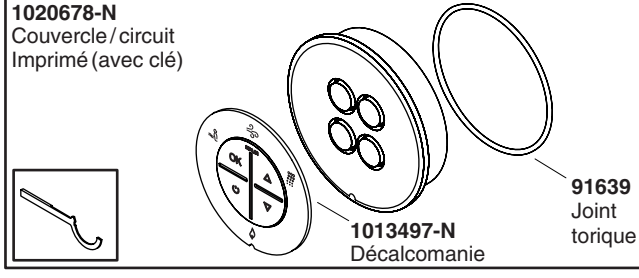
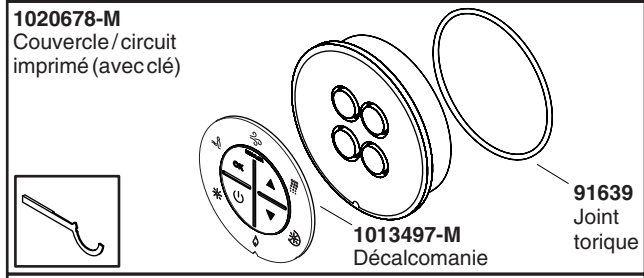
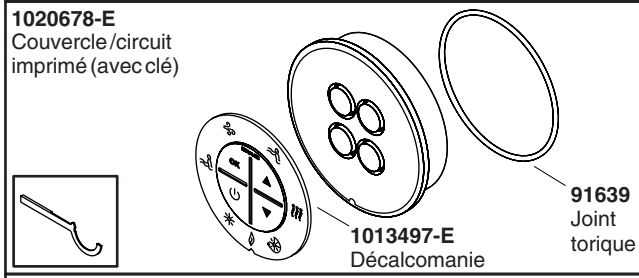
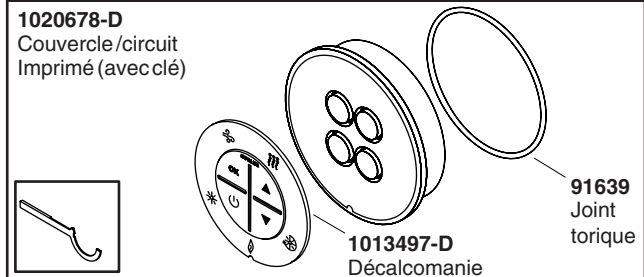
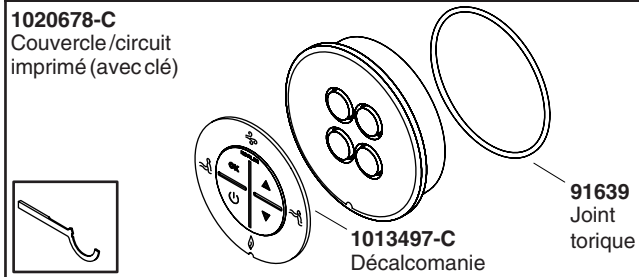
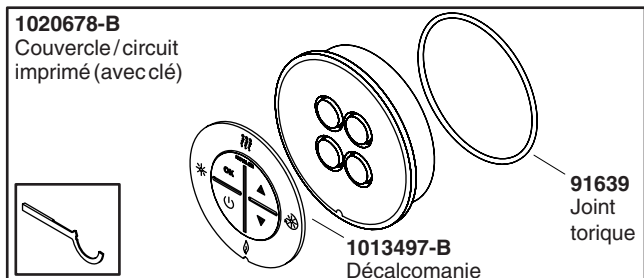
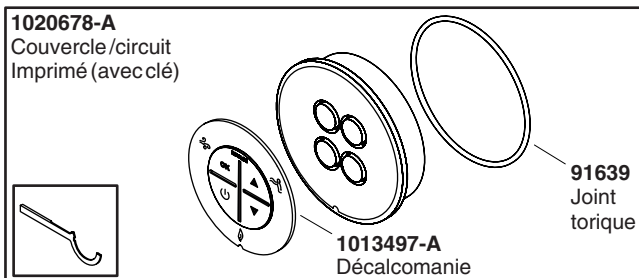
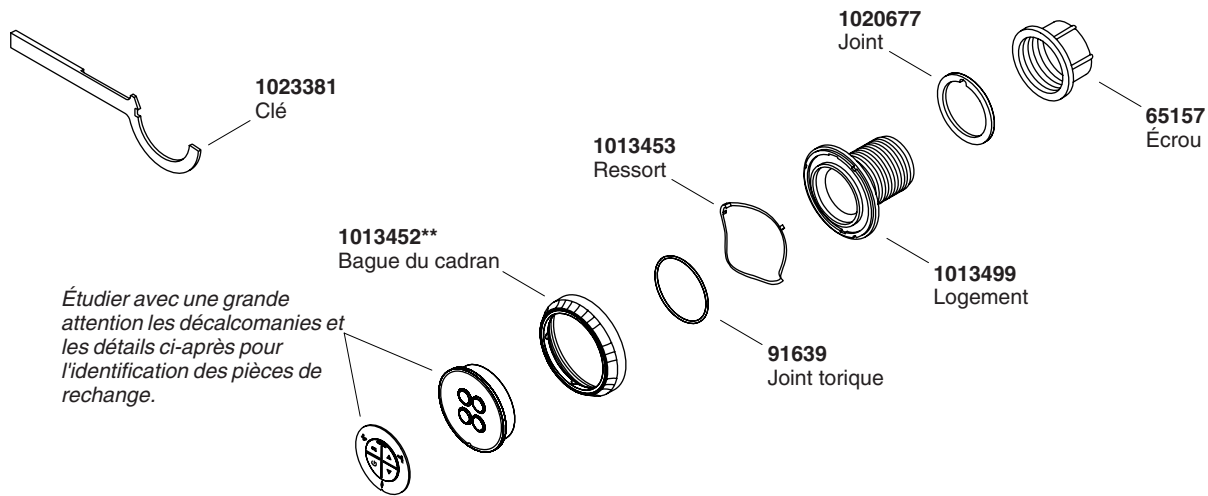
****Vous devez spécifier les codes de la finition et/ou de la couleur quand vous passez votre commande.**



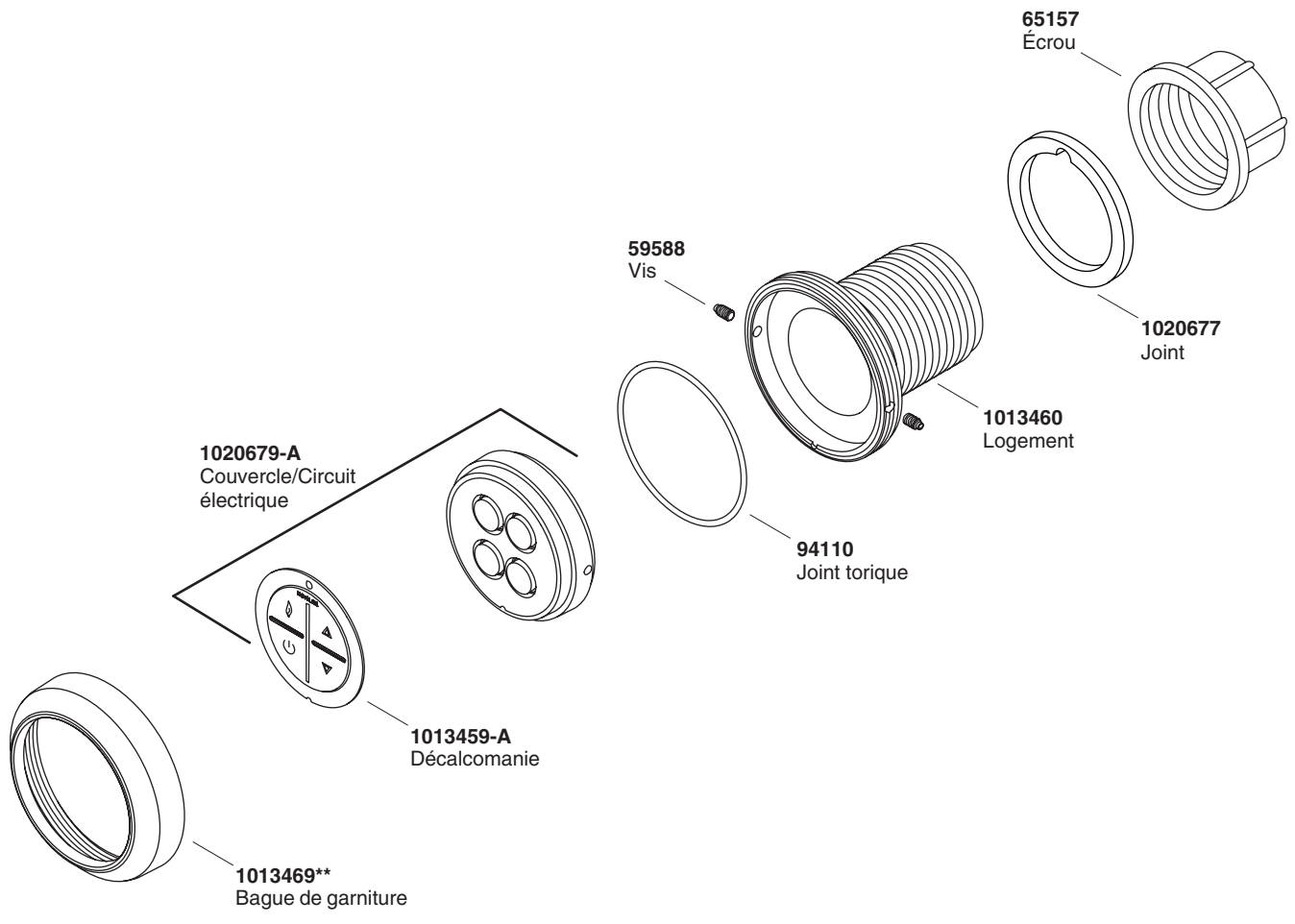




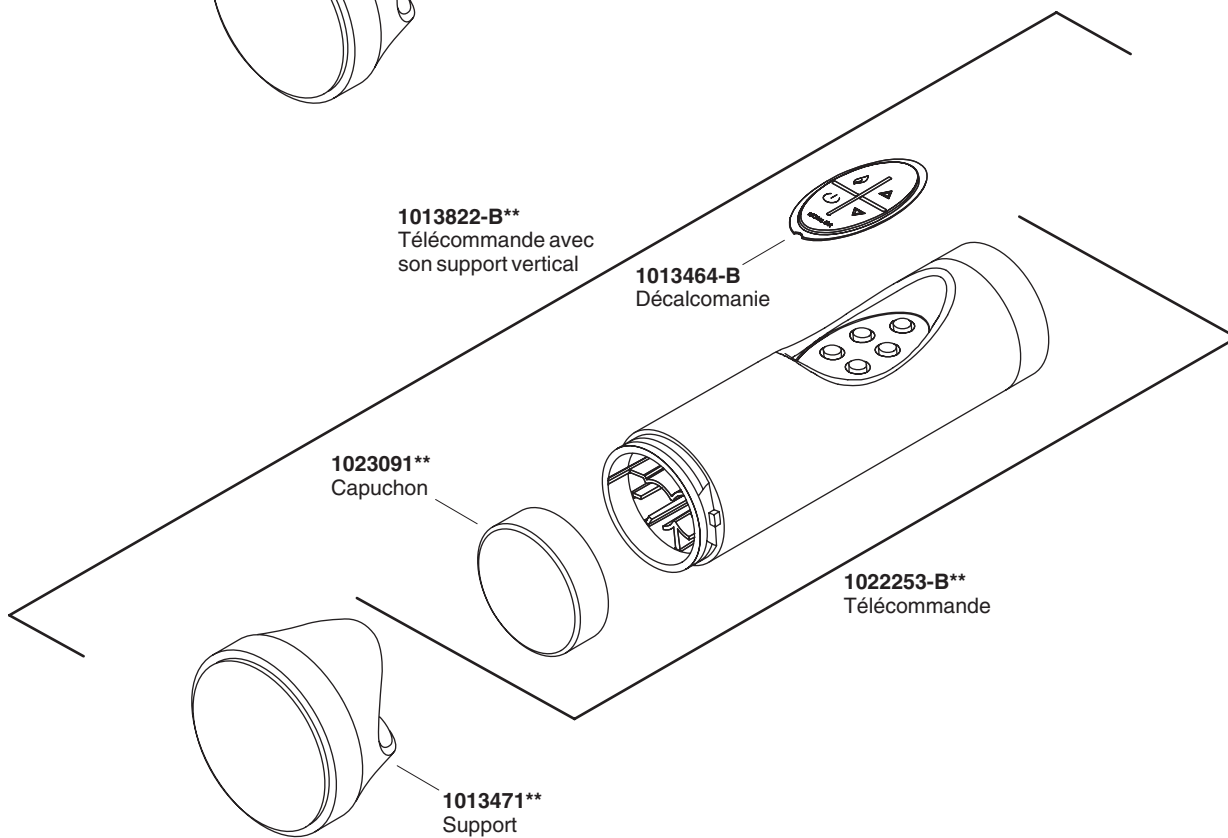
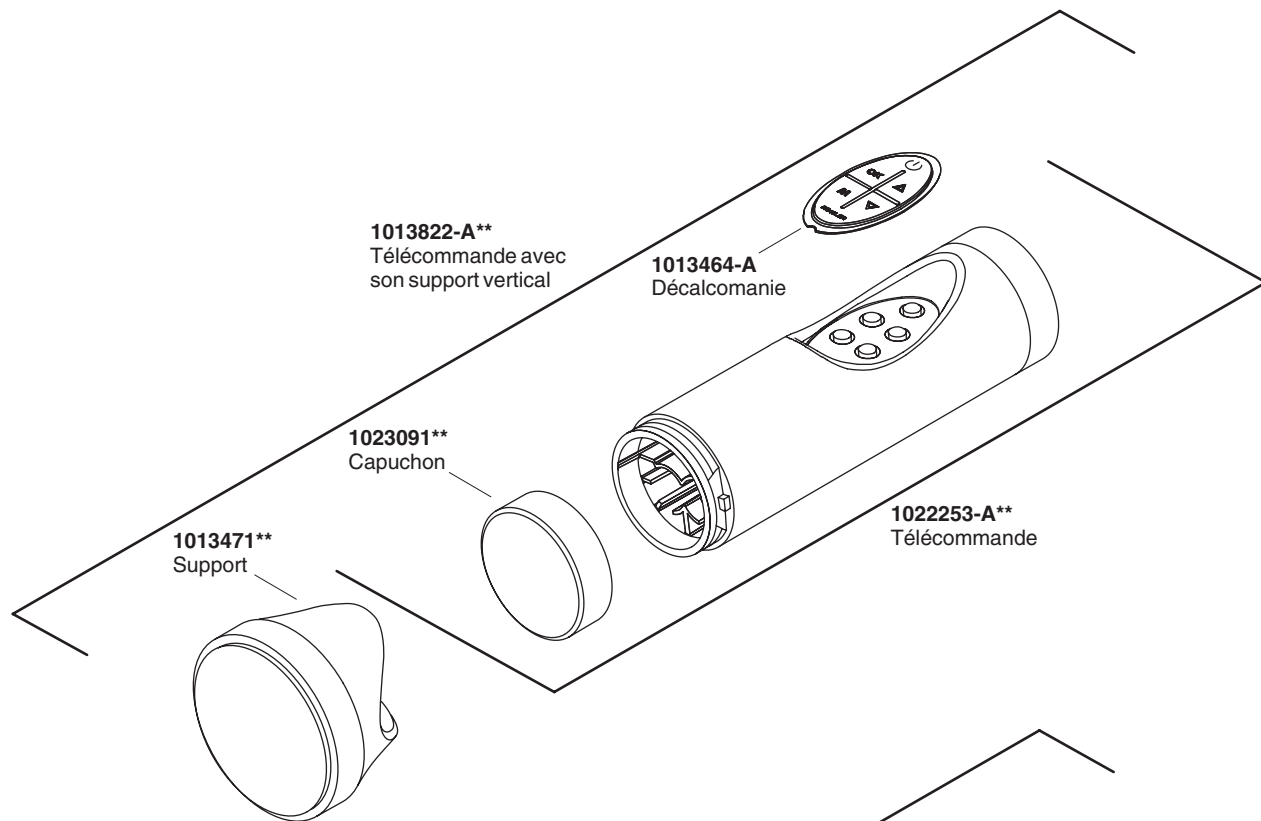
****Vous devez spécifier les codes de la finition et/ou de la couleur quand vous passez votre commande.**



****Vous devez spécifier les codes de la finition et/ou de la couleur quand vous passez votre commande.**



****Vous devez spécifier les codes de la finition et/ou de la couleur quand vous passez votre commande.**



****Vous devez spécifier les codes de la finition et/ou de la couleur quand vous passez votre commande.**

Guía del usuario

Bañera de hidromasaje

Información importante

INSTRUCCIONES RELATIVAS AL RIESGO DE INCENDIO, DESCARGA ELÉCTRICA O LESIONES PERSONALES

LEA Y SIGA TODAS LAS INSTRUCCIONES

GUARDE ESTAS INSTRUCCIONES



ADVERTENCIA: Al usar aparatos eléctricos, siga siempre las precauciones básicas, incluyendo las siguientes:



PELIGRO: Riesgo de lesiones personales. Para reducir el riesgo de lesiones, no permita que los niños usen este producto sin la estricta supervisión en todo momento.



ADVERTENCIA: Riesgo de lesiones personales. Para evitar lesiones, tenga cuidado al entrar y salir de la bañera de hidromasaje.



ADVERTENCIA: Riesgo de descarga eléctrica. No coloque aparatos eléctricos (como secador de pelo, lámparas, teléfono, radio o televisión) a menos de 5' (1,5 m) de esta bañera de hidromasaje.



ADVERTENCIA: Riesgo de hipertermia. Las personas bajo tratamiento médico o que padezcan de alguna condición médica deben consultar con un médico antes de utilizar una bañera de hidromasaje equipada con un calentador.

Use esta bañera de hidromasaje únicamente con el fin para el que se ha fabricado, tal como se explica en este manual. No utilice accesorios que no estén recomendados por el fabricante.

No deje caer ni introduzca objetos en ninguna de las aberturas.

No permita que esta unidad funcione sin la tapa protectora (tapadera) en la conexión de succión.

La bañera de hidromasaje debe conectarse solamente a un circuito protegido con un interruptor de circuito con pérdida a tierra (GFCI) o por un dispositivo de corriente residual (RCD). El instalador debe proveer el interruptor de protección GFCI o RCD, cuyo funcionamiento debe probarse de manera rutinaria. Para probar el interruptor de protección GFCI o RCD, oprima el botón de prueba (test). El interruptor de protección GFCI o RCD debe interrumpir la alimentación eléctrica. Oprima el botón (reset) de restablecer la alimentación eléctrica. Esto debe restablecer la alimentación eléctrica. Si el interruptor de protección GFCI o RCD no funciona de este modo, significa que está averiado. Si el interruptor de protección GFCI o RCD, interrumpe la alimentación eléctrica a la bañera sin haber oprimido el botón de prueba, significa que existe corriente a tierra y la posibilidad de una descarga eléctrica. No utilice esta bañera de hidromasaje. Desconecte la bañera de hidromasaje, y antes de usarla, haga que un representante de servicio autorizado solucione el problema.



ADVERTENCIA: El uso de alcohol, drogas o medicamentos puede aumentar enormemente el riesgo de sufrir hipertermia fatal. La inmersión prolongada en agua caliente puede producir hipertermia. La hipertermia ocurre cuando la temperatura interna del cuerpo alcanza un nivel superior a la temperatura corporal normal de 98,6°F (37°C). Los síntomas de la hipertermia incluyen el aumento de la temperatura corporal interna, mareos, letargo, somnolencia y desfallecimiento. Los efectos de la hipertermia incluyen: (a) incapacidad para percibir calor, (b) incapacidad para reconocer la necesidad de salir de la bañera, (c) inconsciencia de un peligro inminente, (d) daño al

Información importante (cont.)

feto en mujeres embarazadas, (e) inhabilidad física para salir de la bañera y (f) pérdida del conocimiento con peligro de ahogarse.

¡IMPORTANTE! Limpie el sistema de hidromasaje dos o más veces al mes, dependiendo del uso, tal como se describe en la sección "Limpieza del sistema de hidromasaje" de este manual.

La temperatura del agua en la bañera no debe exceder los 104°F (40°C).

Mantenga los objetos pequeños tales como los juguetes y accesorios de baño fuera de la bañera de hidromasaje cuando esté en funcionamiento.

El uso constante de productos de higiene personal que contengan aceites puede dañar los componentes plásticos de la bañera de hidromasaje. No utilice champú a base de productos vegetales ni aceites de baño.

La acción del hidromasaje puede hacer que una pequeña cantidad de líquidos para hacer burbujas, champú, jabón o aceite de baño espume en exceso. Por esta razón, no utilice estos productos durante el funcionamiento de la bañera de hidromasaje.

Contenido

Información importante	1
Gracias por elegir los productos de Kohler	2
Su bañera de hidromasaje de Kohler	2
Modos/funciones del teclado y bañera de hidromasaje	4
Funcionamiento de su bañera de hidromasaje	5
Funcionamiento de los jets para el cuello y la espalda (de estar equipados)	5
Funcionamiento del modo efervescente (de estar equipado)	6
Funcionamiento de la cromoterapia (de estar equipada)	7
Control remoto	8
Programación del control remoto	8
Cumple las normas del FCC	9
Cuidado y limpieza	9
Limpieza del sistema de su bañera de hidromasaje	9
Garantía limitada de un año	9
Garantía de un año	10
Procedimientos para resolver problemas	12
Piezas de repuesto	17

Gracias por elegir los productos de Kohler

Gracias por elegir los productos de Kohler. Su producto de Kohler Company refleja la verdadera pasión por el diseño, la mano de obra, la artesanía y la innovación que forman parte de Kohler Company. Estamos seguros que su confiabilidad y belleza excederán sus más altas expectativas, dándole satisfacción por años.

Toda la información que aparece en la guía está basada en la información más reciente disponible al momento de publicación. En Kohler Company, nos esforzamos por alcanzar nuestra misión de mejorar el nivel del buen vivir de quienes disfrutan de nuestros productos y servicios. Nos reservamos el derecho de efectuar cambios en las características, embalaje o disponibilidad del producto en cualquier momento, sin previo aviso.

Dedique unos minutos para leer esta guía. Preste especial atención a las instrucciones de cuidado y limpieza.

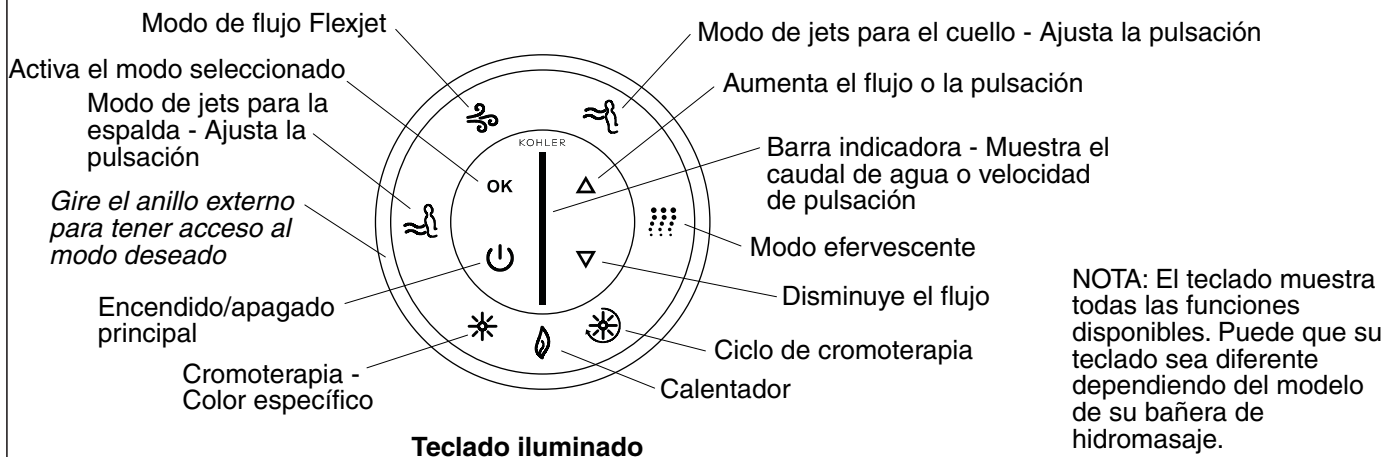
Su bañera de hidromasaje de Kohler

Su nueva bañera de hidromasaje está diseñada para estimular, vigorizar y dar energía a su cuerpo con una terapia de hidromasaje reconfortante. La bañera de hidromasaje consta de los siguientes componentes:

- **Bañera** - Actúa como un depósito de agua y es el lugar de acción del hidromasaje.

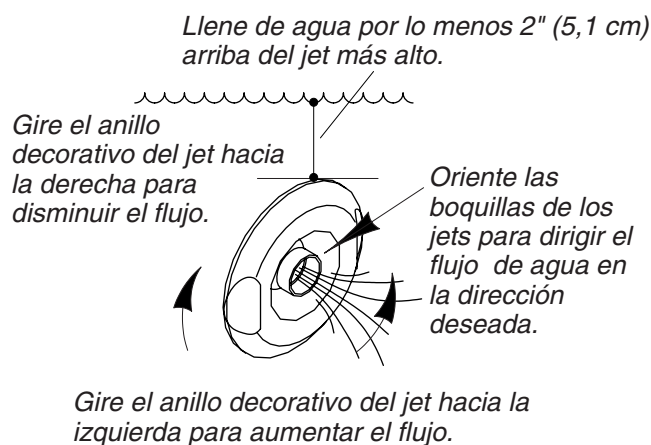
Su bañera de hidromasaje de Kohler (cont.)

- **Teclado** - El teclado, de fácil alcance, le permite encender y apagar la bañera de hidromasaje. También le permite acceder a todos los modos de funcionamiento de la bañera de hidromasaje y regular el flujo de agua o velocidad de pulsación.
- **Motor bomba** - Provee potencia de velocidad variable y silenciosa para circular el agua y crear la acción calmante del hidromasaje.
- **Jets ajustables** - Colocados de manera que optimizan el efecto del hidromasaje, los jets le permiten ajustar el flujo de aire y agua, así como controlar la dirección del flujo como usted lo desee.
- **Calentador** - Diseñado para ayudar a mantener automáticamente la temperatura del agua en hasta 104°F (40°C) para aumentar el placer de la experiencia del hidromasaje. El calentador se enciende automáticamente cuando la bañera de hidromasaje está en funcionamiento y se apaga cuando el motor bomba se apaga. El calentador se puede apagar con el teclado en cualquier momento mientras la bomba esté funcionando.
- **Jets para el cuello y almohada** - Provee un masaje de agua en la nuca. La almohada ofrece un lugar cómodo para apoyar la cabeza mientras se relaja. Para evitar que el agua salpique, un interruptor integral detiene la acción de los jets para el cuello si se quita la almohada durante el funcionamiento. El funcionamiento de los jets para el cuello se controla con el teclado.
- **Jets para la espalda** - Provee un masaje de agua en la espalda. Los jets para la espalda pulsan, de dos en dos, desde la parte inferior de la bañera hacia la parte superior, tanto con flujo de agua como pulsación.



Modos/funciones del teclado y bañera de hidromasaje

- **Encendido/Apagado principal** - Enciende y apaga la bomba de la bañera de hidromasaje. Los símbolos iluminados en azul indican los modos/funciones disponibles. Los modos en funcionamiento se iluminarán en verde.
- **Anillo exterior** - Gire el anillo externo al modo deseado. El modo seleccionado se encenderá de forma intermitente (en azul).
- **Botón de activación** - Oprima "OK" para activar el modo deseado.
- **Flecha hacia arriba** - Aumenta el flujo de agua cuando el modo Flexjet está activado. Aumenta la velocidad de pulsación cuando el modo de los jets para el cuello o la espalda está activo.
- **Flecha hacia abajo** - Disminuye el flujo de agua cuando el modo Flexjet está activo. Disminuye la velocidad de pulsación cuando el modo de los jets para el cuello o la espalda está activo.
- **Modo Flexjet** - Cuando está iluminado, este modo le permite ajustar el flujo de agua con sólo oprimir las flechas hacia arriba o hacia abajo.
- **Modo de jets para el cuello** - Cuando está iluminado, los jets para el cuello están en funcionamiento y la velocidad de pulsación se puede regular oprimiendo las flechas hacia arriba o hacia abajo.
- **Modo de jets para la espalda** - Cuando está iluminado, los jets para la espalda están en marcha y la velocidad de pulsación se puede regular oprimiendo las flechas hacia arriba o hacia abajo.
- **Calentador** - El calentador se activa automáticamente cuando la bañera de hidromasaje está encendida. Para apagar el calentador, gire el anillo externo hasta que el indicador del calentador se ilumine de forma intermitente, luego oprima "OK". Vuelva a oprimir "OK" para volver a encender el calentador. El calentador ayuda a mantener la temperatura del agua hasta en 104°F (40°C).
- **Barra indicadora** - Muestra el caudal del flujo de agua en el modo Flexjet. Muestra la velocidad de pulsación en el modo de jets para el cuello o la espalda.
- **Modo efervescente** - Los puertos efervescentes se activan para proporcionar una acción burbujeante suave y relajante. El modo de jets para la espalda, jets para el cuello y Flexjet se apagarán automáticamente cuando se active el modo efervescente.
- **Ciclo de cromoterapia** - Las luces de cromoterapia cambian de color automática y continuamente en el ciclo de ocho colores: blanco, violeta, azul índigo, azul agua, verde, amarillo, naranja y rojo. Un ciclo de ocho colores tarda aproximadamente un minuto.
- **Selección de un color específico de cromoterapia** - Cuando este modo está seleccionado, se puede elegir un color específico para la bañera.



Funcionamiento de su bañera de hidromasaje

- Gire la guarnición del jet totalmente hacia la izquierda. Coloque las boquillas de los jets de manera que miren hacia abajo en la bañera.

NOTA: La temperatura del agua en la bañera de hidromasaje nunca debe exceder de 104°F (40°C). El calentador integrado mantiene automáticamente la temperatura del agua mientras la bañera esté en funcionamiento, siempre y cuando la temperatura no sobrepase los 104°F (40°C). El calentador se apagará a temperaturas superiores.

- Cierre el desagüe y llene la bañera de hidromasaje al menos 2" (5,1 cm) por encima del jet más alto. Pruebe la temperatura del agua con la mano para su confort y seguridad, luego entre con cuidado en la bañera.
- Oprima el botón de encendido/apagado principal para encender la bañera de hidromasaje. La bañera de hidromasaje comenzará a funcionar con un caudal de agua medio. El calentador también se encenderá y el icono del calentador se iluminará.
- En el teclado, oprima las flechas hacia arriba o hacia abajo para aumentar o disminuir el flujo de agua. La barra indicadora en el centro del teclado muestra el caudal del flujo de agua.
- Ajuste los jets para obtener una mezcla óptima de aire/agua. Gire la guarnición del jet hacia la derecha para reducir el flujo y hacia la izquierda para aumentarlo. Oriente las boquillas de los jets en la dirección deseada para aprovechar al máximo la experiencia del hidromasaje.
- El calentador se enciende automáticamente cuando la bañera de hidromasaje está en funcionamiento y se apaga cuando el motor bomba se apaga. El calentador se puede apagar con el teclado en cualquier momento mientras la bomba esté funcionando.
- Vuelva a oprimir el botón de encendido/apagado para apagar la bañera de hidromasaje.

NOTA: La bañera de hidromasaje se apagará automáticamente tras 20 minutos de funcionamiento continuo. Si lo desea, puede volver a encender la bañera de hidromasaje oprimiendo el botón de encendido/apagado.

- Salga con cuidado de la bañera y abra el desagüe para vaciar la bañera de hidromasaje.

NOTA: Antes de llamar a un representante de servicio calificado, consulte la sección "Procedimiento para resolver problemas" de este manual.

Funcionamiento de los jets para el cuello y la espalda (de estar equipados)

- Verifique que la funda esté bien colocada en la almohada y que la almohada esté bien sujeta al cuerpo del jet para el cuello.

Funcionamiento de los jets para el cuello y la espalda (de estar equipados) (cont.)

NOTA: Si la almohada no está instalada correctamente los jets para el cuello no funcionarán. El icono del jet para el cuello y la barra indicadora en el teclado parpadearán. Los jets para el cuello se reactivarán automáticamente cuando la almohada se instale correctamente.

- Con la bañera de hidromasaje en funcionamiento, gire el anillo externo hasta que el icono de jets para el cuello parpadee. Oprima el botón "OK" para activar los jets para el cuello. La acción de pulsación de los jets para el cuello comenzará a velocidad media.
- Para aumentar o disminuir la acción de pulsación de los jets para el cuello, en el teclado oprima las flechas hacia arriba o hacia abajo, mientras el modo de jets para el cuello esté activo.
- Para aumentar o disminuir el caudal del flujo de los jets para el cuello, gire el anillo externo al modo Flexjet, oprima "OK" para activar este modo y en el teclado oprima las flechas hacia arriba o hacia abajo. Esto también aumenta o disminuye el flujo de todos los modos.
- Gire el anillo externo hasta que el icono de jets para la espalda parpadee y oprima "OK". La acción de pulsación de los jets para la espalda comenzará a velocidad media. Los jets para la espalda pulsarán de dos en dos desde la parte inferior de la bañera hacia la parte superior con flujo de agua y pulsación.

NOTA: Si el nivel del agua desciende por debajo de los sensores del nivel de agua, los jets para la espalda se detendrán. El icono de los jets para la espalda y la barra indicadora en el teclado empezarán a parpadear. Los jets para la espalda se reactivarán automáticamente cuando el nivel del agua cubra los sensores.

- Para aumentar o disminuir la acción de pulsación de los jets para la espalda, en el teclado presione las flechas hacia arriba o hacia abajo, mientras el modo de jets para la espalda esté activo.
- Para aumentar o disminuir el caudal del flujo de los jets para la espalda, gire el anillo externo al modo Flexjet, oprima "OK" para activar este modo y en el teclado oprima las flechas hacia arriba o hacia abajo. Esto también aumenta o disminuye el flujo de todos los modos.

NOTA: Para activar o desactivar funciones mientras los jets para el cuello y/o jets para la espalda estén en marcha, gire el anillo externo hasta que la función deseada se ilumine intermitente y oprima "OK". (Por ejemplo: Para apagar el calentador, gire el anillo externo hasta que el icono del calentador se ilumine intermitente y oprima "OK".)

- Oprima "OK" mientras esté activo el modo de los jets para el cuello para así apagarlo.
- Oprima "OK" mientras esté activo el modo de los jets para la espalda para así apagarlo.

Funcionamiento del modo efervescente (de estar equipado)

- Con la bañera de hidromasaje en funcionamiento, gire el anillo externo hasta que parpadee el icono del modo efervescente. Oprima "OK" para activar los puertos efervescentes. La acción efervescente comenzará con el caudal de flujo establecido durante el modo de flujo Flexjet.
- En el teclado oprima las flechas hacia arriba o hacia abajo para aumentar o disminuir el caudal del flujo.

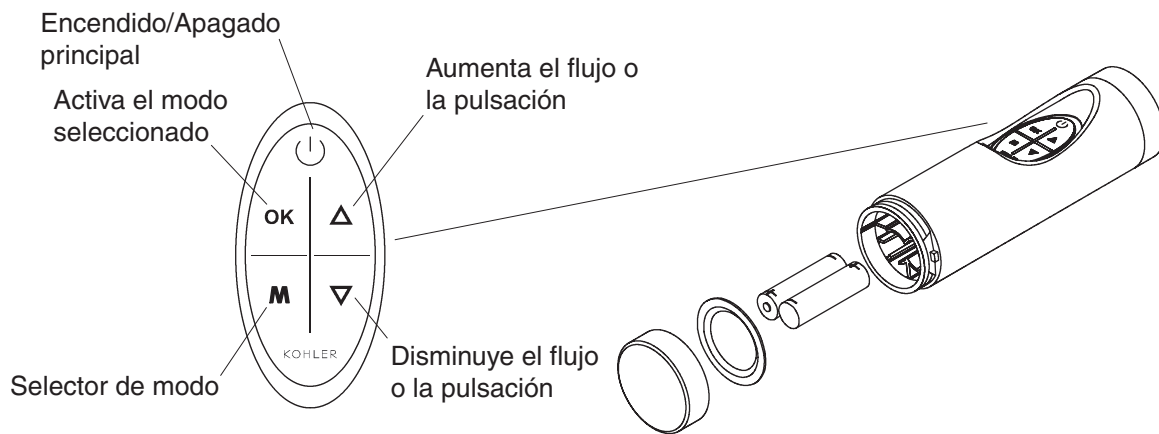
NOTA: El modo efervescente está diseñado para proporcionar una experiencia relajante y calmante. El modo de jets para la espalda, jets para el cuello y Flexjet se apagará automáticamente cuando se active el modo efervescente. La cromoterapia se puede utilizar con este y todos los modos de funcionamiento.

- Oprima "OK" mientras el modo efervescente esté parpadeando para así apagar los puertos efervescentes.

Funcionamiento de la cromoterapia (de estar equipada)

NOTA: La cromoterapia se puede utilizar con todos los modos de funcionamiento. También se puede utilizar cuando la bomba no esté en marcha.

- **Ciclo de cromoterapia** - Cuando este modo está activado, las luces de cromoterapia cambian de color automática y continuamente ocho veces; blanco, violeta, azul índigo, azul agua, verde, amarillo, naranja y rojo. Un ciclo de ocho colores tarda aproximadamente un minuto. Para seleccionar este modo, gire el anillo externo y oprima "OK" para activarlo. Para apagar las luces, oprima "OK" mientras está activo el modo de cromoterapia.
- **Selección de un color específico de cromoterapia** - Cuando este modo está activo, se puede elegir un color específico para la bañera. Gire el anillo externo para seleccionar este modo, oprima "OK" para activarlo y utilice las flechas hacia arriba o hacia abajo hasta obtener el color deseado. Para apagar las luces, oprima "OK" mientras está activo el modo de cromoterapia.



Control remoto

El control remoto pone al alcance de su mano todas las funciones de la bañera para realzar aún más la experiencia del baño.

Las funciones del control remoto son idénticas a las del teclado. Con él, puede encender y apagar tanto la bañera de hidromasaje como el calentador y acceder/modificar todas las funciones de hidromasaje.

El botón de selección de modo funciona de la misma manera que el anillo externo. Cuando se presiona la "M", uno de los modos parpadeará en el teclado. Si vuelve a presionar la "M", parpadeará el siguiente modo a la derecha. Una vez que el modo deseado esté parpadeando, presione "OK" para activarlo.

Cuando el modo Flexjet está activo, las flechas harán que el caudal del flujo de agua aumente o disminuya.

El control remoto impermeable está diseñado para usarse en la bañera y flota en el agua.

El control remoto funciona con dos pilas tamaño AAA. Para cambiarlas, simplemente desatornille la tapa del extremo e inserte las pilas como se ilustra más arriba. Apriete la tapa del extremo firmemente, y asegúrese de que esté en contacto con el sello.

Programación del control remoto

¡IMPORTANTE! Es necesario programar el control remoto. La bañera de hidromasaje no responderá a ningún control remoto hasta que el control se programe. Será necesario programar el control remoto si lo reemplaza o si cambia el control de la bomba.

- Encienda la bañera de hidromasaje.
- Apague todos los modos de funcionamiento. Espere aproximadamente un minuto hasta que el teclado se oscurezca por completo (modo en espera).
- En el teclado, oprima simultáneamente la flecha hacia arriba, la flecha hacia abajo y el botón "OK". El diodo emisor o LED inferior de la barra indicadora del teclado comenzará a iluminarse intermitentemente.
- Mientras el diodo emisor esté intermitente, oprima el botón "OK" del teclado. Una secuencia de luces se iluminará de arriba a abajo en la barra indicadora.
- Oprima cualquier botón del control remoto mientras la secuencia de luces de la barra indicadora esté activa. El teclado dejará de iluminarse en secuencia, ejecutará una descarga y luego se oscurecerá. Este teclado sólo responderá a este control remoto.

NOTA: Si usted no oprime ninguno de los botones del control remoto dentro de un lapso de dos minutos, la bañera de hidromasaje no responderá a ningún control remoto.

Cumple las normas del FCC

ID del FCC: N82-KOHLER001

Identificación de Canadá: 4554A-KOHLER001

Declaración de conformidad (Sección 15.19)

Este aparato cumple con la sección 15 de las Normas del FCC y con la RSS-210 de la Industria del Canadá. El funcionamiento está sujeto a las dos condiciones siguientes:

1. Este aparato no debe causar interferencias perjudiciales, y
2. Este equipo debe aceptar cualquier interferencia recibida, incluyendo las interferencias que causen un funcionamiento no deseado.

Advertencia (Sección 15.21)

Cualquier modificación o cambio que no haya sido aprobado expresamente por la parte responsable de la conformidad puede anular el derecho de los usuarios a utilizar el producto.

Cuidado y limpieza

Para obtener los mejores resultados, tenga presente lo siguiente al limpiar su producto KOHLER:

- Para la limpieza, utilice solamente un detergente suave como el jabón líquido para lavar platos y agua tibia. No utilice limpiadores abrasivos que puedan rayar u opacar la superficie.
- Lea atentamente la etiqueta del producto de limpieza para asegurar que no presente riesgos al usarse en el material.
- Siempre pruebe la solución de limpieza en un área oculta antes de aplicarla a toda la superficie.
- No deje por tiempo prolongado los limpiadores en la superficie.
- Limpie con un trapo y enjuague completa e inmediatamente con agua después de aplicar limpiadores. Enjuague y seque las superficies cercanas que se hayan rociado.
- Utilice una esponja o trapo suave y húmedo. Nunca utilice materiales abrasivos como cepillos o estropajos de tallar para limpiar las superficies.

Para obtener información detallada de limpieza y los limpiadores a considerar, visite www.kohler.com/clean. Para solicitar información sobre el cuidado y la limpieza, llame al 1-800-456-4537 y presione 1 para productos Kohler y luego 3 para documentos.

Limpieza del sistema de su bañera de hidromasaje

- Limpie el sistema de hidromasaje dos o más veces al mes, dependiendo del uso. Utilice la secuencia que sigue:
 - Gire los anillos decorativos de los jets totalmente hacia la derecha para eliminar la inducción de aire.
 - Llene la bañera con agua tibia hasta que sobrepase 2" (5,1 cm) como mínimo por encima de los jets más altos o deje agua en la bañera cuando termine de usarla.
 - Añada al agua 2 cucharadas (30 ml) de detergente para lavaplatos que espume poco y 20 onzas (590 ml) de cloro (lejía) para uso doméstico (5% - 6% hipoclorito sódico).
 - Haga funcionar la bañera de hidromasaje de 5 a 10 minutos. Luego, apague y vacíe la bañera.
 - Si lo desea, enjuague las superficies de la bañera con agua.
 - Enjuague las superficies de los jets, la grifería, las agarraderas, el desagüe, etc. y seque con un paño suave.

Garantía limitada de un año

Se garantiza que los productos de plomería KOHLER están libres de defectos de material y mano de obra por un año a partir de la fecha de instalación.

Kohler Co., a su criterio, reparará, reemplazará o realizará los ajustes pertinentes en los casos en que la inspección realizada por Kohler Co. determine que dichos defectos ocurrieron durante el uso normal en el transcurso de un (1) año a partir de la fecha de la instalación. Kohler Co. no se hace responsable de los

Garantía limitada de un año (cont.)

gastos de desinstalación o instalación. El uso de limpiadores de inodoro que se colocan dentro del tanque anulará la garantía.

Para obtener el servicio de garantía, comuníquese con Kohler Co. a través de su distribuidor, contratista de plomería o distribuidor a través de Internet, o escriba directamente a: Kohler Co., Attn.: Customer Service Department, 444 Highland Drive, Kohler, WI 53044, USA, o llame al 1-800-4-KOHLER desde los Estados Unidos, al 1-800-964-5590 desde Canadá, o al 001-877-680-1310 desde México.

Toda garantía implícita en relación a productos de uso comercial, incluyendo la comercialización e idoneidad del producto para un uso determinado, se limita expresamente a la duración de la presente garantía. Kohler Co. y/o el vendedor no se hacen responsables por concepto de daños particulares, incidentales o indirectos.

Algunos estados/provincias no permiten limitaciones en cuanto a la duración de una garantía implícita o a la exclusión o limitación de daños particulares, incidentales o indirectos, por lo que estas limitaciones y exclusiones pueden no aplicar a su caso. Esta garantía le otorga ciertos derechos legales específicos. Además, usted puede tener otros derechos que varían de estado a estado y provincia a provincia.

El presente documento constituye la garantía exclusiva por escrito de Kohler Co.

Garantía de un año

KOHLER CO.

Al adquirir el producto, se recomienda verificar que todos los accesorios y componentes estén completos en la caja.

Kohler Co. garantiza que el material y la mano de obra de este producto están libres de defectos, por un (1) año, a partir de la fecha de compra que aparece en la factura o recibo.

1. Kohler Co. prestará servicio únicamente a los productos comercializados a través de sus distribuidores autorizados.
2. A fin de obtener el servicio de garantía, favor de presentar la factura de compra y la garantía correspondiente.
3. Kohler Co., a través de sus distribuidores autorizados, se compromete a reparar el producto defectuoso o a reemplazarlo por uno nuevo o equivalente (en caso de que el producto esté descontinuado) cuando no sea posible la reparación, sin ningún cargo al consumidor.
4. El tiempo de reparación no excederá de seis (6) semanas, a partir de la fecha de recepción del producto.
5. Se recomienda al consumidor que conserve el recibo o factura de compra como protección adicional, pues el mismo puede sustituir a la garantía, en caso de que exista discrepancia en cuanto a la validez de la misma.

EXCEPCIONES Y RESTRICCIONES

La garantía no tendrá validez en los siguientes casos:

1. Cuando el producto no se haya utilizado conforme a las instrucciones de uso y funcionamiento incluidas en el manual del usuario o en las instrucciones de instalación y cuando no se hayan observado las recomendaciones y advertencias allí contenidas.
2. Cuando el producto se haya modificado o desmantelado parcial o totalmente; o manipulado de manera negligente y, como consecuencia, haya sufrido daños atribuibles al consumidor, persona o herrajes no autorizados por Kohler Co.
3. Esta garantía no cubre los daños que resulten de desastres naturales, tales como incendios o casos de fuerza mayor, incluyendo inundaciones, terremotos, tormentas eléctricas, etc. Para obtener una lista de distribuidores cerca de usted y así hacer valer sus derechos bajo esta garantía, llame al 001-877-680-1310.

KOHLER CO., KOHLER, WI 53044 U.S.A.

IMPORTADOR:

INTERNACIONAL DE CERÁMICA, S.A.B. DE C.V.

Garantía de un año (cont.)

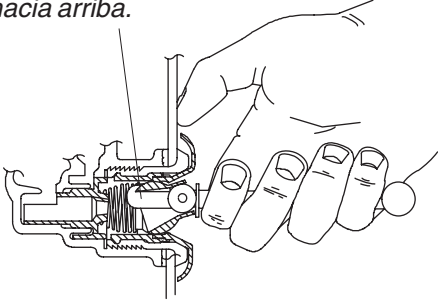
AV. CARLOS PACHECO NO. 7200

CHIHUAHUA, CHIH., MÉXICO C.P. 31060

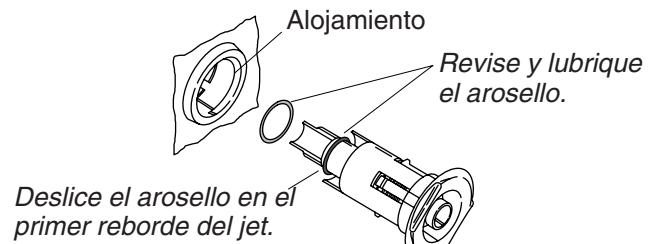
TEL: 52 (14) 29-11-11

Extraiga los jets

Inserte el gancho de la herramienta tal como se ilustra y saque el jet del alojamiento. Al realizar este paso el jet debe estar orientado hacia arriba.



Vuelva a instalar los jets



Deslice el arosello en el primer reborde del jet.

Inserte el jet en el alojamiento, empuje y gire el jet levemente hasta que encaje en su lugar.

Procedimientos para resolver problemas

Extraiga los jets

NOTA: Con los jets se incluye una herramienta especial que le permitirá extraerlos de la bañera de hidromasaje. Esta herramienta también se incluye con cada kit de guarnición.

- Coloque la boquilla esférica del jet de manera que apunte hacia arriba.

NOTA: La boquilla debe seguir apuntando hacia arriba, de lo contrario la herramienta se resbalará.

- Inserte la herramienta de extracción con el gancho hacia arriba en la abertura del jet y enganche la parte superior en la boquilla.
- Sostenga la herramienta con fuerza y coloque el dedo pulgar contra la pared de la bañera de hidromasaje. Jale la herramienta uniformemente hasta que el montaje del jet salga del orificio. Tenga cuidado de no perder el arosello (O-ring).

Vuelva a instalar los jets

NOTA: El arosello (O-ring) del jet debe estar correctamente colocado, lubricado y en buenas condiciones para que el jet pueda girar fácilmente y funcione bien.

- Instale el arosello (O-ring) en el **primer reborde** del jet. Lubrique el arosello (O-ring) con lubricante de silicona para evitar que el jet haga ruido.
- Inserte con cuidado el jet en el alojamiento, empuje levemente y gire el jet hasta que encaje en su lugar. **No fuerce el jet.**

NOTA: Cuando está instalado correctamente, el jet gira sin problemas en ambos sentidos.

Guía para resolver problemas

Esta guía para resolver problemas está diseñada únicamente como ayuda general. Un representante de servicio autorizado de Kohler o un electricista calificado debe resolver todos los problemas eléctricos. Para obtener servicio cubierto por la garantía, póngase en contacto con el vendedor o el distribuidor mayorista.

Guía para resolver problemas del sistema de la bañera de hidromasaje

Síntomas	Causas probables	Acción recomendada
1. El teclado no se ilumina cuando se oprime el botón de encendido o se hace girar el anillo externo.	A. El control no tiene alimentación eléctrica.	A. Verifique el cableado y conecte el suministro eléctrico. Si el problema persiste, consulte al instalador/distribuidor.

Procedimientos para resolver problemas (cont.)

Guía para resolver problemas del sistema de la bañera de hidromasaje

Síntomas	Causas probables	Acción recomendada
	<p>B. El interruptor de circuito GFCI o RCD se ha disparado.</p> <p>C. El arnés de cables del teclado al control está suelto, desconectado o dañado.</p> <p>D. El teclado no funciona.</p> <p>E. El control no funciona.</p>	<p>B. Oprima el botón de restablecer el interruptor GFCI o RCD.</p> <p>C. Revise que los cables estén correctamente conectados. Reemplace el arnés de cables de ser necesario. Consulte al distribuidor/instalador.</p> <p>D. Reemplace el teclado. Consulte al distribuidor/instalador.</p> <p>E. Reemplace el control. Consulte al distribuidor/instalador.</p>
2. El motor se enciende, pero no todos los jets funcionan.	<p>A. El jet está cerrado.</p> <p>B. El jet no está instalado correctamente.</p> <p>C. Los jets están obstruidos.</p>	<p>A. Gire el anillo decorativo del jet hacia la izquierda para abrirlo.</p> <p>B. Vuelva a instalar el jet; revise que el arosello (O-ring) no esté dañado.</p> <p>C. Elimine la obstrucción.</p>
3. El teclado está iluminado pero no responde a los botones o anillo.	<p>A. El programa del control está bloqueado.</p> <p>B. El arnés de cables del teclado al control está suelto, desconectado o dañado.</p> <p>C. El teclado no funciona.</p> <p>D. El control no funciona.</p>	<p>A. Oprima el botón de restablecer el interruptor GFCI o RCD.</p> <p>B. Revise que los cables estén correctamente conectados. Reemplace el arnés de cables de ser necesario. Consulte al distribuidor/instalador.</p> <p>C. Reemplace el teclado. Consulte al distribuidor/instalador.</p> <p>D. Reemplace el control. Consulte al distribuidor/instalador.</p>
4. Al encender la unidad, la barra indicadora del teclado continúa en modo de búsqueda.	<p>A. El programa del control está bloqueado.</p> <p>B. El arnés de cables del teclado al control está suelto, desconectado o dañado.</p> <p>C. El teclado no funciona.</p> <p>D. El control no funciona.</p>	<p>A. Oprima el botón de restablecer el interruptor GFCI o RCD.</p> <p>B. Revise que los cables estén correctamente conectados. Reemplace el arnés de cables de ser necesario. Consulte al distribuidor/instalador.</p> <p>C. Reemplace el teclado. Consulte al distribuidor/instalador.</p> <p>D. Reemplace el control. Consulte al distribuidor/instalador.</p>
5. El teclado está iluminado pero la bomba no se enciende.	<p>A. El cable eléctrico de la bomba al control está suelto, desconectado o dañado.</p> <p>B. La bomba no funciona.</p> <p>C. El control no funciona.</p>	<p>A. Revise que los cables estén correctamente conectados. Si el problema persiste, consulte al instalador/ distribuidor.</p> <p>B. Reemplace la bomba. Consulte al distribuidor/instalador.</p> <p>C. Reemplace el control. Consulte al distribuidor/instalador.</p>
6. El motor funciona pero la bomba no hace el cebado (se produce cavitación).	<p>A. La bomba se ha acuñado demasiado.</p> <p>B. Pequeña fuga de aire en la entrada de la bomba.</p> <p>C. El motor/bomba no funciona.</p> <p>D. El control no funciona.</p>	<p>A. Baje la bomba/control al nivel del subpiso.</p> <p>B. Apriete firmemente la(s) tuerca(s) del lado de admisión de la bomba.</p> <p>C. Reemplace el motor/bomba. Consulte al distribuidor/instalador.</p> <p>D. Reemplace el control. Consulte al distribuidor/instalador.</p>

Procedimientos para resolver problemas (cont.)

Guía para resolver problemas del sistema de la bañera de hidromasaje

Síntomas	Causas probables	Acción recomendada
7. La bomba se detiene antes de funcionar durante 18 minutos.	<p>A. El interruptor GFCI o RCD se ha disparado.</p> <p>B. La succión está obstruida.</p> <p>C. Los jets están obstruidos.</p> <p>D. El motor se ha sobrecalentado, activando el dispositivo de protección.</p>	<p>A. Identifique la causa de la falla y corrija. Oprima el botón de restablecer el interruptor GFCI o RCD.</p> <p>B. Elimine la obstrucción.</p> <p>C. Elimine la obstrucción.</p> <p>D. Verifique que no haya obstrucciones en la succión y/o jets. Elimine la obstrucción y deje enfriar el motor.</p>
8. La bomba no se apaga automáticamente después de 22 minutos.	<p>A. El temporizador de 20 minutos se ha desactivado inadvertidamente.</p>	<p>A. Consulte el manual de mantenimiento.</p>
9. La bomba no se apaga cuando se oprime el botón de encendido/apagado en el teclado.	<p>A. El teclado no funciona.</p> <p>B. El control no funciona.</p>	<p>A. Reemplace el teclado. Consulte al distribuidor/instalador.</p> <p>B. Reemplace el control. Consulte al distribuidor/instalador.</p>
10. La bomba funciona pero la opción de velocidad variable no funciona.	<p>A. El motor/bomba no funciona.</p> <p>B. El control no funciona.</p>	<p>A. Reemplace el motor/bomba. Consulte al distribuidor/instalador.</p> <p>B. Reemplace el control. Consulte al distribuidor/instalador.</p>
11. El agua de la bañera se enfría mientras la bomba está funcionando.	<p>A. La temperatura del agua es mayor que 104°F (40°C).</p> <p>B. El botón del calentador está apagado en el teclado.</p> <p>C. El cable que existe entre el calentador y el control está suelto, desconectado o dañado.</p> <p>D. El calentador no funciona.</p> <p>E. El control no funciona.</p>	<p>A. Deje enfriar el agua de la bañera.</p> <p>B. Encienda el calentador.</p> <p>C. Revise que los cables estén correctamente conectados. Consulte al distribuidor/instalador.</p> <p>D. Reemplace el calentador. Consulte al distribuidor/instalador.</p> <p>E. Reemplace el control. Consulte al distribuidor/instalador.</p>
12. Funcionamiento ruidoso.	<p>A. Las cintas metálicas de la bomba no se han cortado.</p> <p>B. El arosello (O-ring) del jet está mal colocado o seco (ruidoso).</p>	<p>A. Corte las cintas metálicas con unas tijeras para chapa.</p> <p>B. Extraiga el jet, reemplace y lubrique el arosello (O-ring); vuelva a instalar el jet.</p>
13. El control remoto (si está equipado) no funciona.	<p>A. Pilas mal instaladas o descargadas.</p> <p>B. La antena del arnés de cables está dañada.</p> <p>C. El control remoto no se ha programado correctamente.</p> <p>D. El control remoto no funciona.</p> <p>E. El control no funciona.</p>	<p>A. Reemplace las pilas.</p> <p>B. Reemplace el arnés de cables. Consulte al distribuidor/instalador.</p> <p>C. Consulte la guía del usuario o el manual de servicio del control remoto.</p> <p>D. Reemplace el control remoto.</p> <p>E. Reemplace el control. Consulte al distribuidor/instalador.</p>
14. El teclado no responde cuando el modo de los jets para el cuello está seleccionado.	<p>A. El teclado no funciona.</p>	<p>A. Reemplace el teclado. Consulte al distribuidor/instalador.</p>

Procedimientos para resolver problemas (cont.)

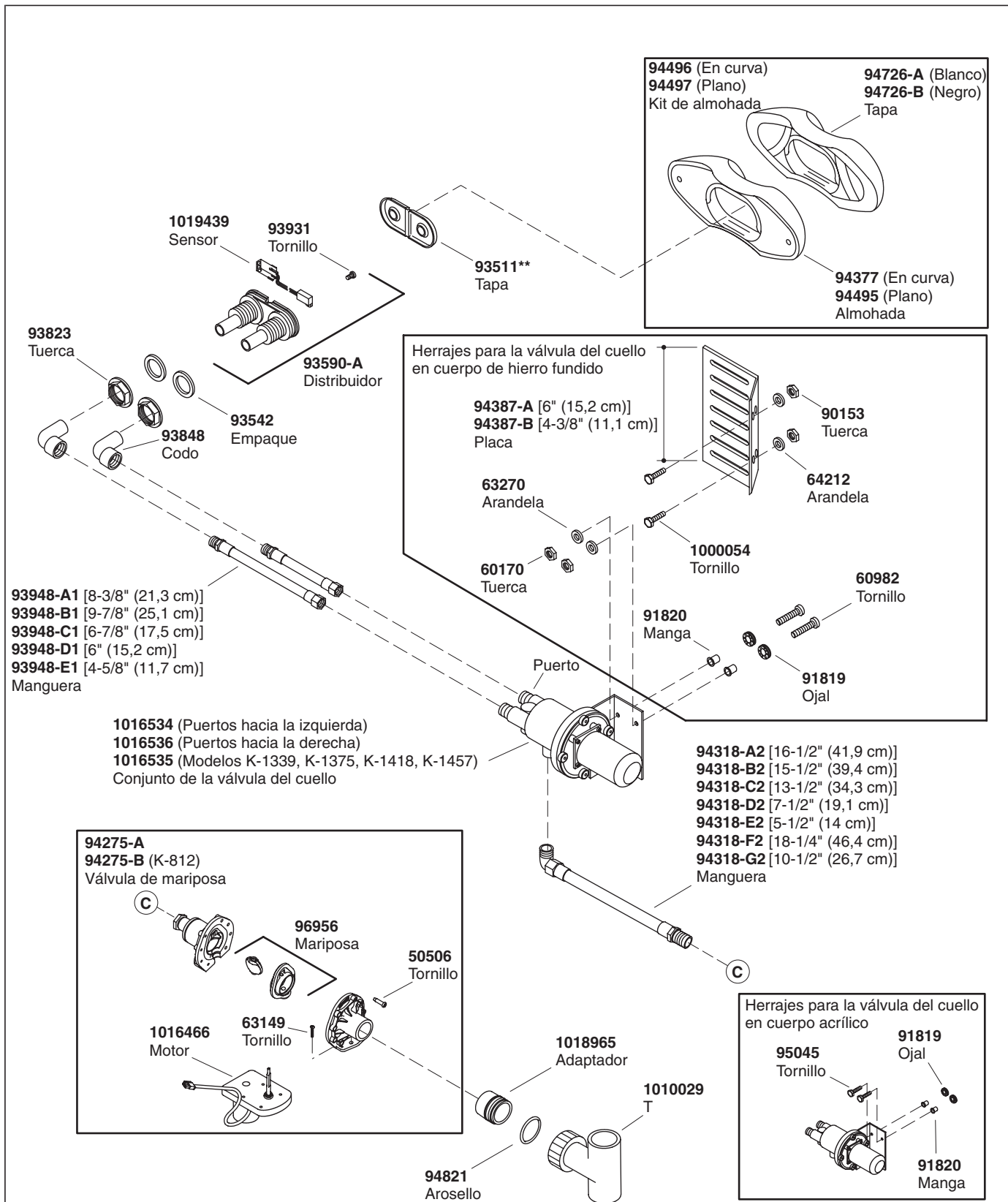
Guía para resolver problemas del sistema de la bañera de hidromasaje

Síntomas	Causas probables	Acción recomendada
15. La bomba funciona pero los jets para el cuello no se encienden. La barra indicadora del teclado está parpadeando.	<p>A. La almohada no está instalada.</p> <p>B. El interruptor de láminas no funciona.</p> <p>C. El arnés de cables del jet para el cuello al control está suelto, desconectado o dañado.</p>	<p>A. Asegúrese de que la almohada esté correctamente colocada al cuerpo del jet para el cuello.</p> <p>B. Revise los cables del interruptor de láminas y reemplácelos si es necesario.</p> <p>C. Revise que los cables estén correctamente conectados. Reemplace el arnés de cables de ser necesario. Consulte al distribuidor/instalador.</p>
16. La bomba funciona pero los jets para el cuello no se encienden. La barra indicadora del teclado NO está parpadeando.	<p>A. La tubería de los jets para el cuello está obstruida.</p> <p>B. El arnés de cables del jet para el cuello al control está suelto, desconectado o dañado.</p> <p>C. La válvula de mariposa no funciona.</p> <p>D. El control no funciona.</p>	<p>A. Desconecte las mangueras de los jets para el cuello y elimine la obstrucción.</p> <p>B. Revise que los cables estén correctamente conectados. Reemplace el arnés de cables de ser necesario. Consulte al distribuidor/instalador.</p> <p>C. Reemplace la válvula de mariposa. Consulte al distribuidor/instalador.</p> <p>D. Reemplace el control. Consulte al distribuidor/instalador.</p>
17. El agua fluye por los jets para el cuello, pero éstos no pulsan.	<p>A. El arnés de cables que existe entre la caja de pulsación del jet para el cuello y el control está suelto, desconectado o dañado.</p> <p>B. La caja de pulsación no funciona.</p> <p>C. El control no funciona.</p>	<p>A. Revise que los cables estén correctamente conectados. Reemplace el arnés de cables de ser necesario. Consulte al distribuidor/instalador.</p> <p>B. Reemplace la caja de pulsación. Consulte al distribuidor/instalador.</p> <p>C. Reemplace el control. Consulte al distribuidor/instalador.</p>
18. Los jets para la espalda no funcionan.	<p>A. La bomba de la bañera de hidromasaje no funciona.</p> <p>B. La válvula de mariposa de los jets para la espalda no se abre.</p> <p>C. No hay suficiente agua en la bañera de hidromasaje.</p> <p>D. El interruptor del accionador no funciona.</p> <p>E. No hay corriente eléctrica desde el motor bomba al control.</p> <p>F. El tubo del jet para la espalda está obstruido.</p> <p>G. El cable que conecta el interruptor al control está desconectado.</p>	<p>A. Encienda la bomba.</p> <p>B. Verifique que no haya conexiones o cables sueltos desde la caja de pulsación de los jets para la espalda hasta el control. Reemplace el control o la caja de pulsación de los jets para la espalda de ser necesario. Consulte al distribuidor/instalador.</p> <p>C. Llene la bañera de hidromasaje hasta que se cubran los sensores del nivel de agua.</p> <p>D. Reemplace el interruptor del accionador. Consulte al distribuidor/instalador.</p> <p>E. Verifique que no haya conexiones o cables sueltos desde el motor bomba al control. Consulte al distribuidor/instalador.</p> <p>F. Elimine la obstrucción.</p> <p>G. Vuelva a conectar o reemplace los cables del interruptor que emplean un enchufe modular. Consulte al distribuidor/instalador.</p>

Procedimientos para resolver problemas (cont.)

Guía para resolver problemas del sistema de la bañera de hidromasaje

Síntomas	Causas probables	Acción recomendada
19. Los jets para la espalda no pulsán.	<p>A. La caja de pulsación no funciona.</p> <p>B. El interruptor no funciona.</p> <p>C. El cable que conecta el interruptor al control está desconectado.</p>	<p>A. Verifique que no haya conexiones o cables sueltos desde la caja de pulsación hasta el control. Reemplace la caja de pulsación o el control de ser necesario. Consulte al distribuidor/instalador.</p> <p>B. Reemplace el interruptor. Consulte al distribuidor/instalador.</p> <p>C. Vuelva a conectar o reemplace los cables del interruptor que emplean un enchufe modular. Consulte al distribuidor/instalador.</p>
20. Los puertos efervescentes no funcionan.	<p>A. La bomba de la bañera de hidromasaje no funciona.</p> <p>B. La válvula de mariposa no funciona.</p> <p>C. La bomba no funciona.</p> <p>D. El control no funciona.</p>	<p>A. Encienda la bomba.</p> <p>B. Reemplace la válvula de mariposa. Consulte al distribuidor/instalador.</p> <p>C. Para resolver problemas, consulte el manual de servicio. Consulte al distribuidor/instalador.</p> <p>D. Reemplace el control. Consulte al distribuidor/instalador.</p>
21. Los puertos efervescentes no burbujan.	<p>A. La entrada de aire en la línea de succión está obstruida.</p> <p>B. El flujo de agua es demasiado bajo.</p>	<p>A. Elimine la obstrucción.</p> <p>B. Aumente el flujo de agua.</p>
22. Las luces de cromoterapia no funcionan.	<p>A. Los cables/conexiones están flojos, desconectados o dañados.</p> <p>B. El control no funciona.</p>	<p>A. Revise que los cables estén correctamente conectados. Reemplace los cables de ser necesario. Consulte al distribuidor/instalador.</p> <p>B. Reemplace el control. Consulte al distribuidor/instalador.</p>



**Se debe especificar el código del acabado/color con el pedido.

Piezas de repuesto

1003065
Herramienta para extraer
la brida de succión



73518
Tapón



93685
Alojamiento



96708
Brida



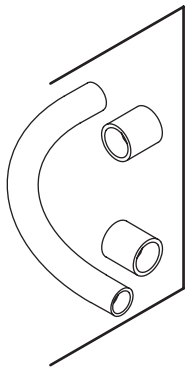
65886 (Acrílico y fibra de vidrio)
60050 (Hierro fundido)
Empaque

65054**
Tornillo



96895** (Acabados de color)
65061** (Acabados metálicos)
Tapa

65226**
Tapón de la
tapa de succión



93836 (1/2")
93837 (3/4")
93838 (1")
93839 (1-1/4")
94853 (1-1/2")
Tubo (con acopladores)

91967
Válvula de retención

94469
Herramienta para
extraer la brida



67665
Tapón

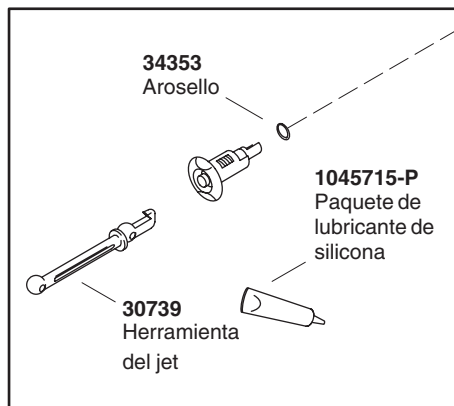


67429
Brida



67889
Alojamiento del jet

65885 (Acrílico y fibra de vidrio)
67668 (Hierro fundido)
Empaque



34353
Arosello

1045715-P
Paquete de
lubricante de
silicona

30739
Herramienta
del jet

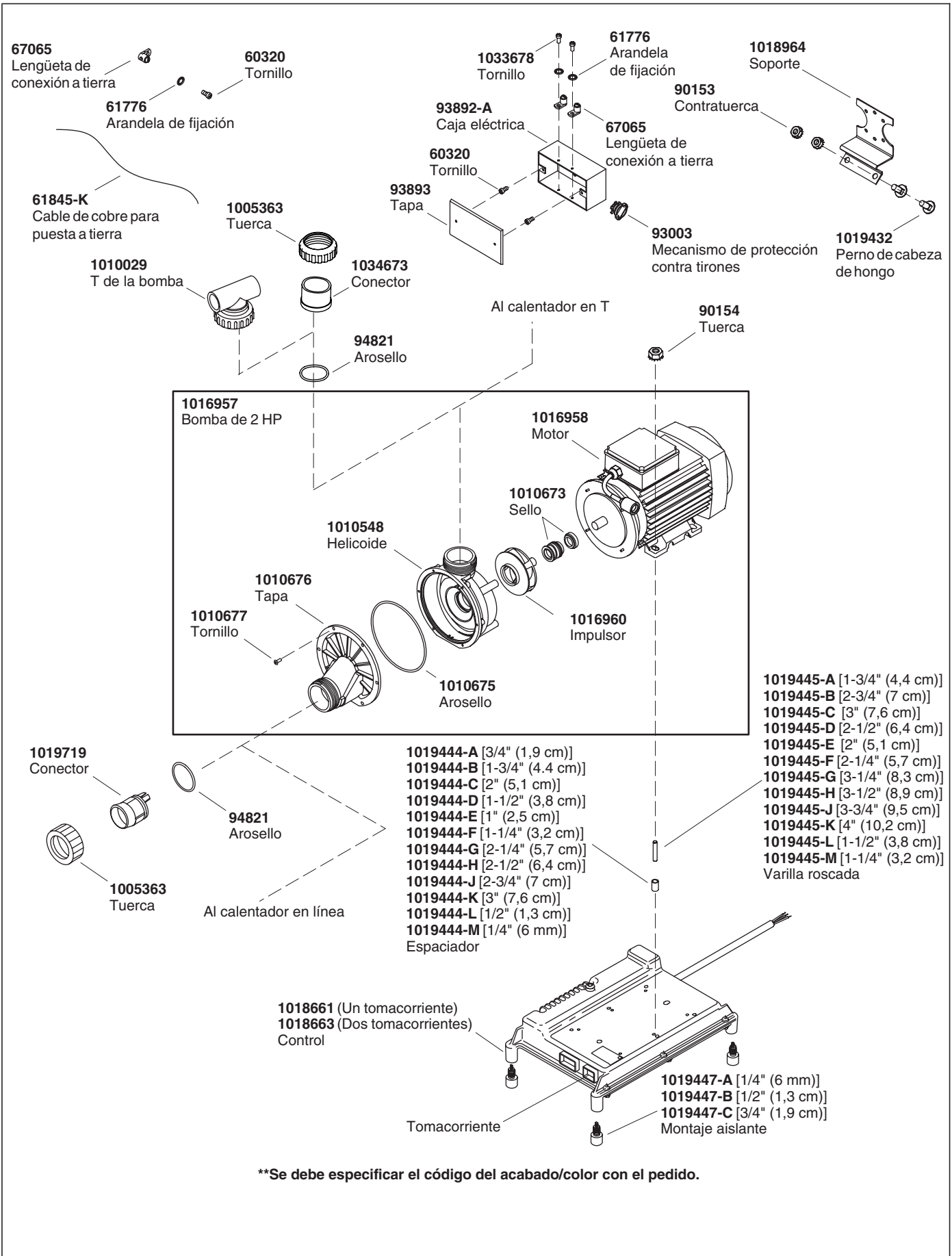
**Un jet para bañeras de hidromasaje
con 5 o menos jets**

88532** (Acabados de color)
88531** (Acabados metálicos)
Jet

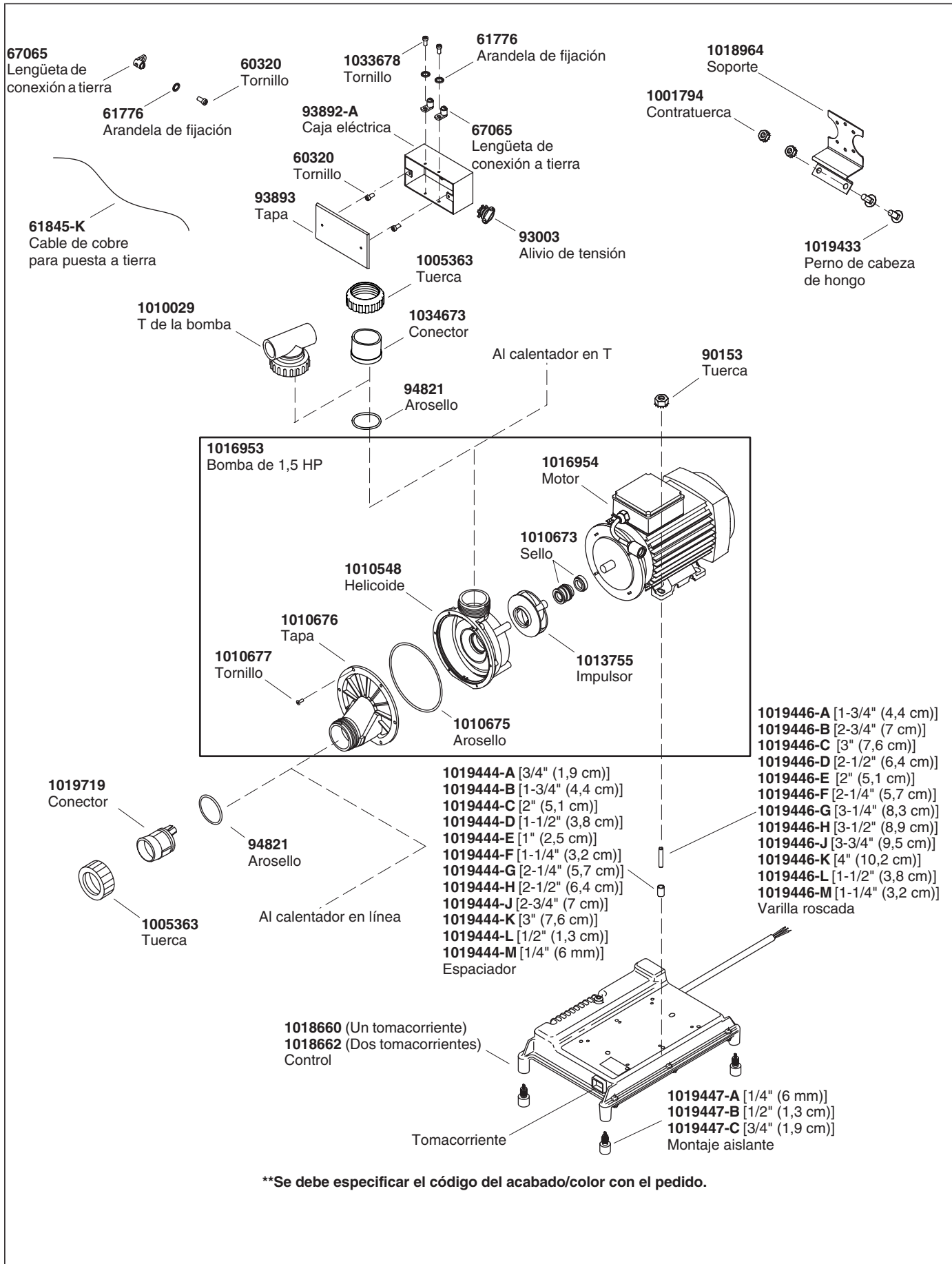
**Un jet para bañeras de hidromasaje
con 6 o más jets**

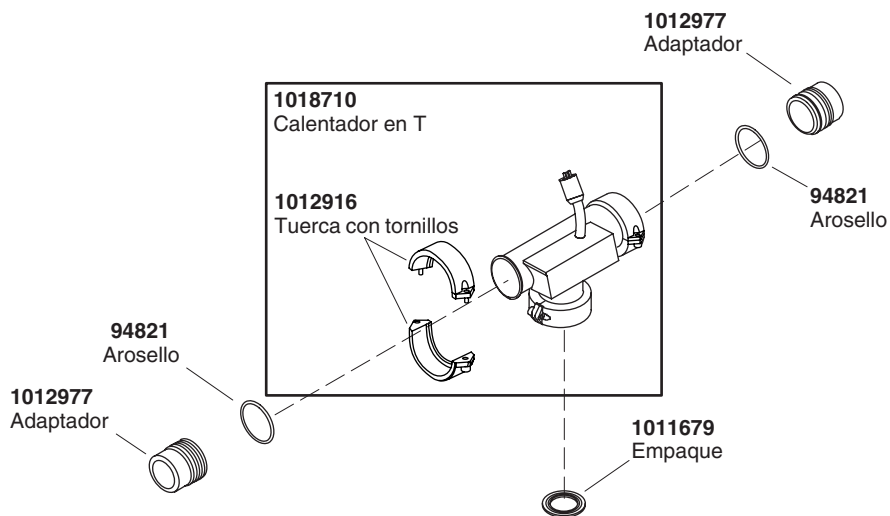
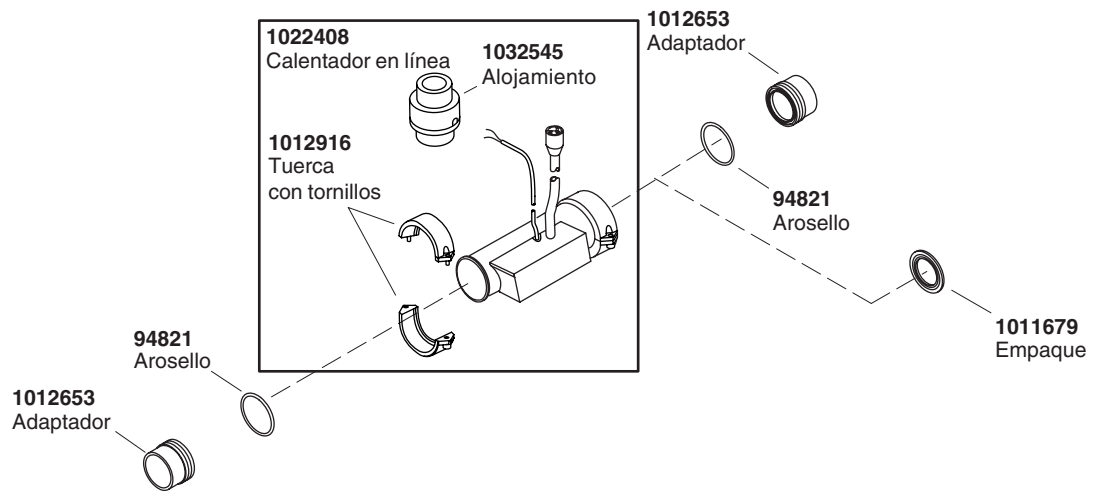
88530** (Acabados de color)
88529** (Acabados metálicos)
Jet

****Se debe especificar el código del acabado/color con el pedido.**

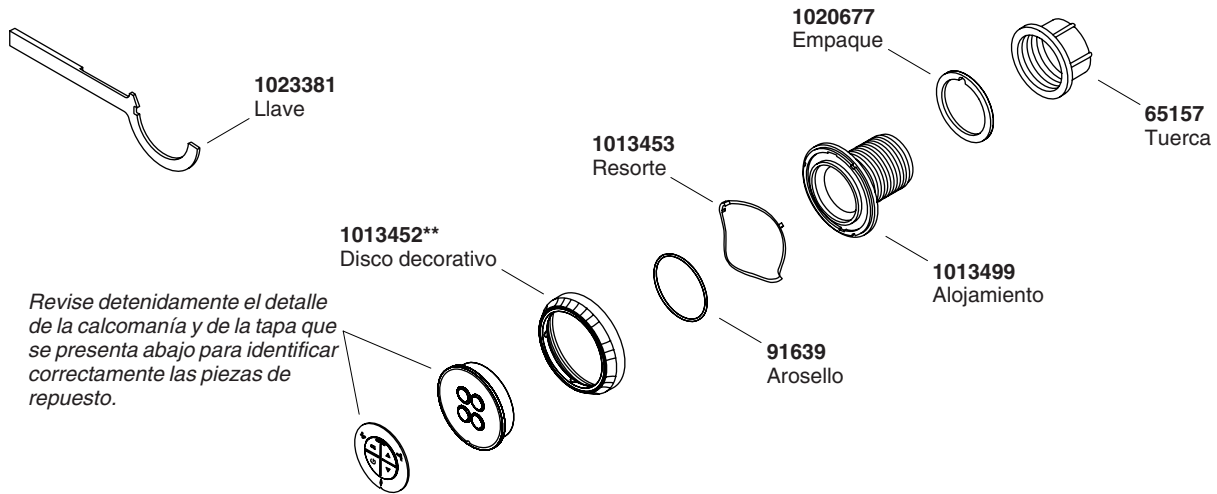


****Se debe especificar el código del acabado/color con el pedido.**

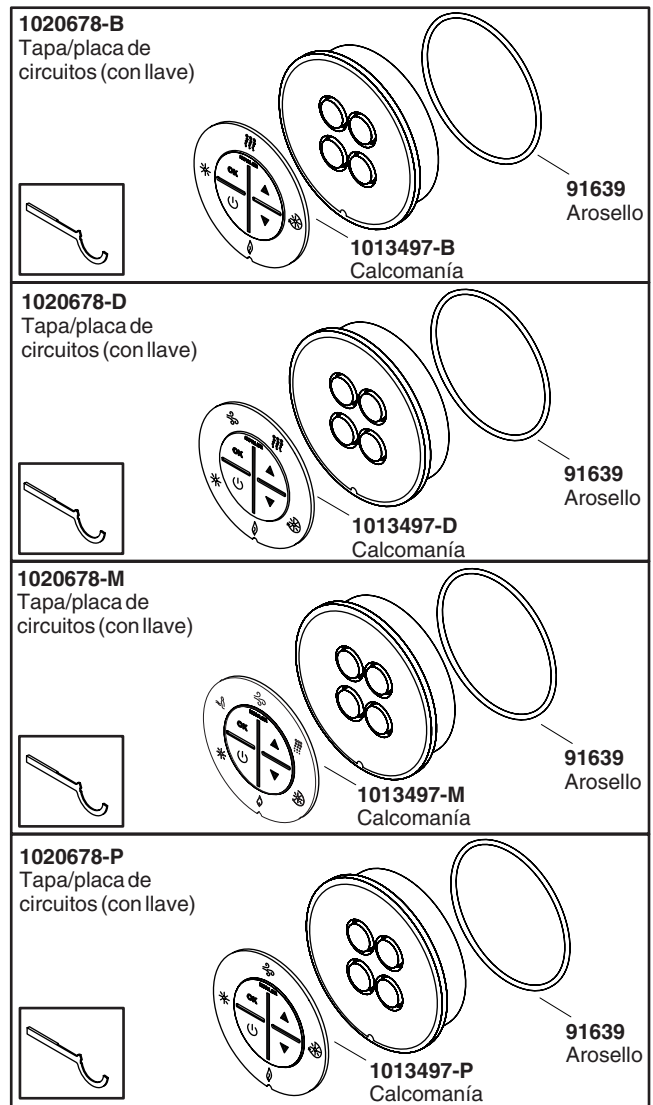
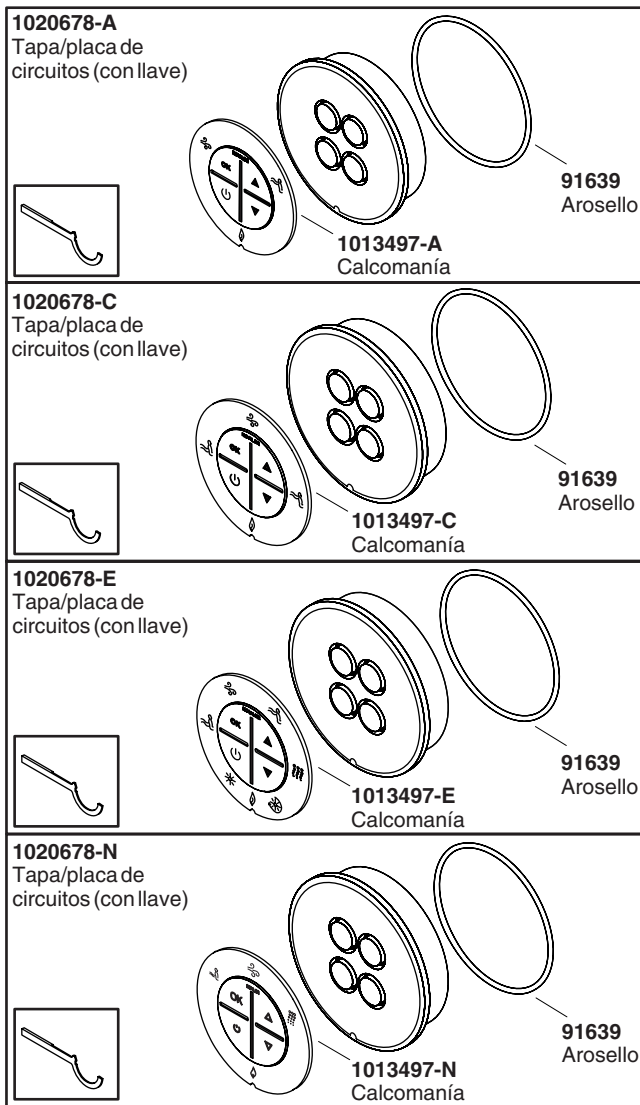




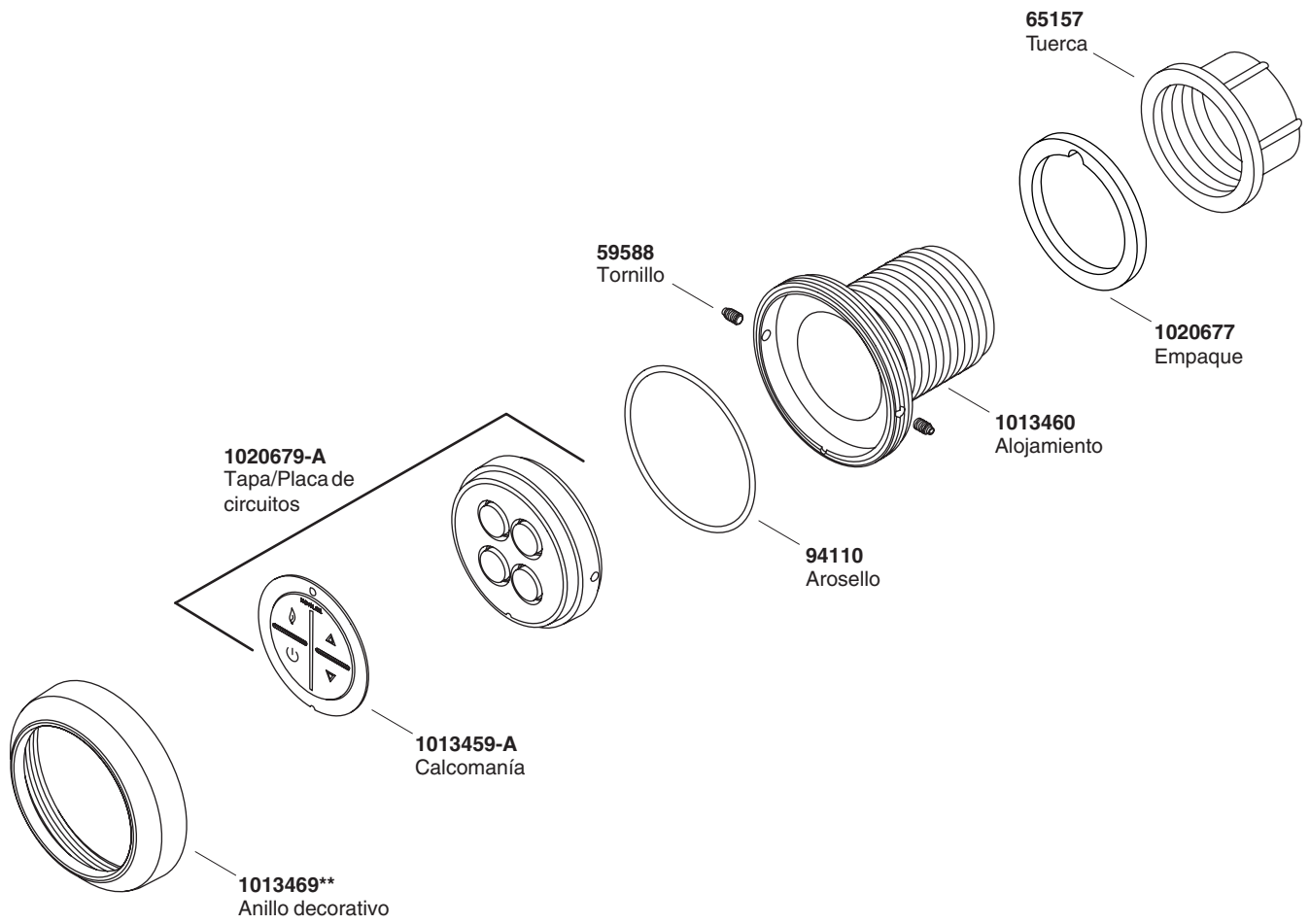
****Se debe especificar el código del acabado/color con el pedido.**



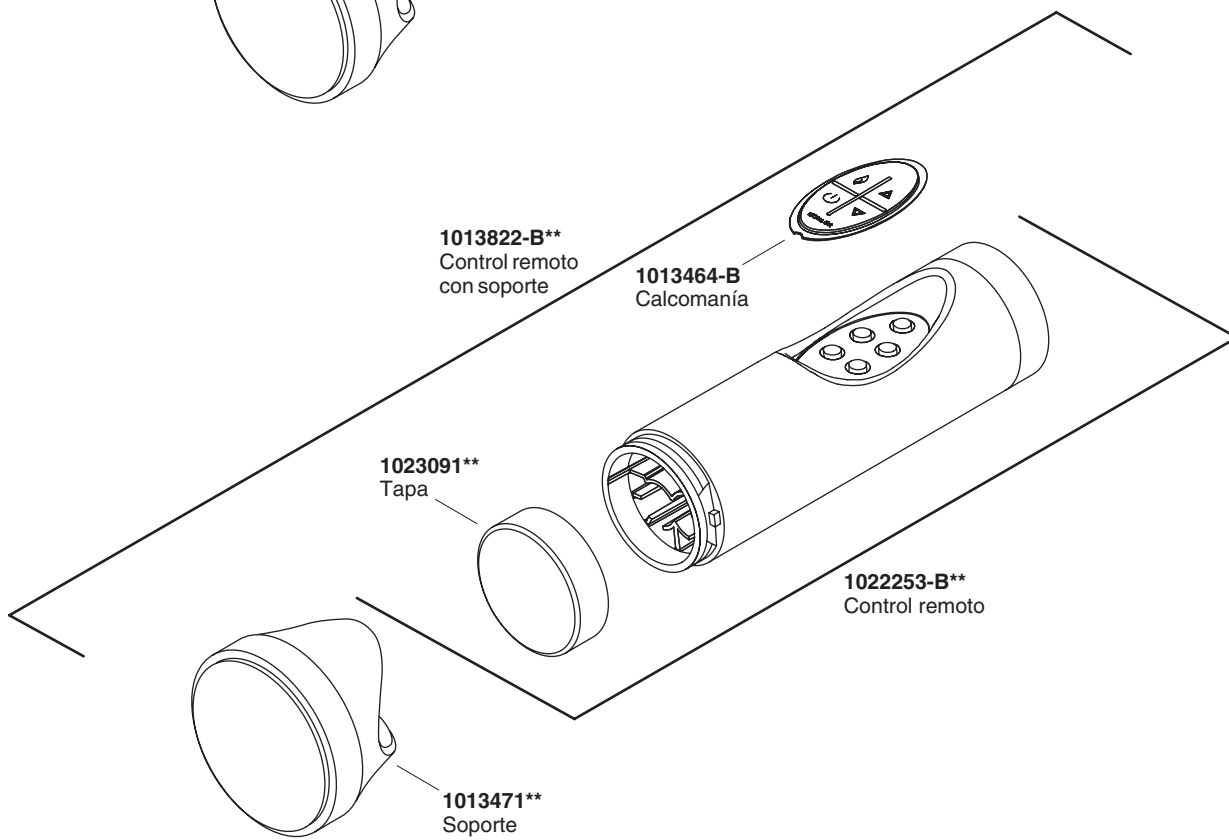
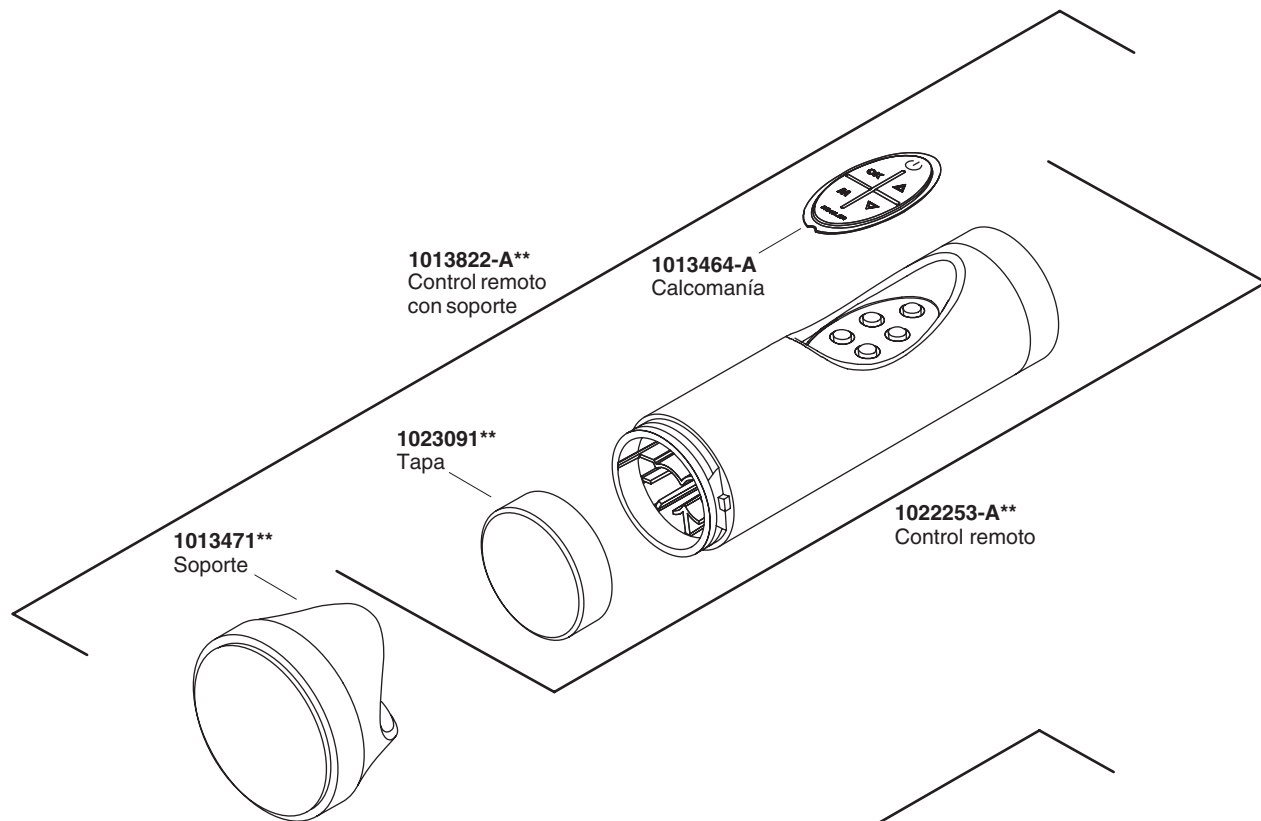
Revise detenidamente el detalle de la calcomanía y de la tapa que se presenta abajo para identificar correctamente las piezas de repuesto.



****Se debe especificar el código del acabado/color con el pedido.**



****Se debe especificar el código del acabado/color con el pedido.**



****Se debe especificar el código del acabado/color con el pedido.**

USA: 1-800-4-KOHLER
Canada: 1-800-964-5590
México: 001-877-680-1310

kohler.com

THE BOLD LOOK
OF **KOHLER**®

©2007 Kohler Co.

1023237-5-B