

Features

- Acrylic
- 8 Kohler jets, color matched
- 1.25 hp pump with air switch actuator
- Integral apron with removable access panel
- Integral lumbar support and armrests to cradle the body
- Integral tile flange
- Left or right outlet
- Pump is supplied with a grounding-type plug-in cord
- 60" (152.4 cm) x 32" (81.3 cm) x 20" (50.8 cm)

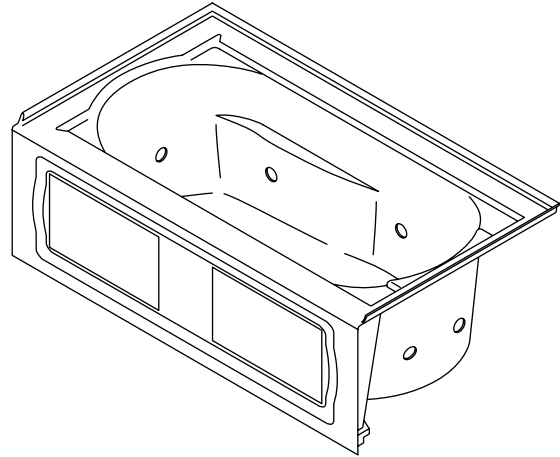
Codes/Standards Applicable

Specified model meets or exceeds the following:

- ANSI Z124.1.2
- ASME A112.19.7M
- IAPMO/UPC
- Underwriters Laboratories (UL)

BATH WHIRLPOOL INTEGRAL APRON

K-1357-LA/-RA



Colors/Finishes

- 0: White
- Other: Refer to Price Book for additional colors/finishes

Accessories

- CP: Polished Chrome
- PB: Vibrant® Polished Brass
- Other: Refer to Price Book for additional colors/finishes

Specified Model

Model	Description	Colors/Finishes	
K-1357-LA	Bath whirlpool with left outlet, integral apron (shown)	<input type="checkbox"/> 0	<input type="checkbox"/> Other_____
K-1357-RA	Bath whirlpool with right outlet, integral apron	<input type="checkbox"/> 0	<input type="checkbox"/> Other_____

Recommended Accessories				
K-7161-AF	Pop-up drain	<input type="checkbox"/> CP	<input type="checkbox"/> PB	<input type="checkbox"/> Other_____

Product Specification

The acrylic bath whirlpool shall be 60" (152.4 cm) in length, 32" (81.3 cm) in width, and 20" (50.8 cm) in height. The bath whirlpool shall have eight color-matched Kohler jets, a 1.25 hp pump, and an air switch actuator. The bath whirlpool shall have an integral apron with a removable access panel, integral lumbar support and armrests to cradle the body, and an integral tile flange. The bath whirlpool shall have either a left or right outlet. The bath whirlpool pump shall be supplied with a grounding-type plug-in cord. The bath whirlpool shall be Kohler Model K-1357-LA-_____ or K-1357-RA-_____.

DEVONSHIRE®

Technical Information

Fixture*:	
Basin area:	
Bathing well	42" (106.7 cm) x 20" (50.8 cm)
Top area	51" (129.5 cm) x 24" (61 cm)
To overflow:	
Water depth	14" (35.6 cm)
Capacity	60 gal (227.1 L)
Weight	135 lbs (61.2 kg)
* Approximate measurements for comparison only.	

Pump:	Hp	V	Hz	A
1-speed	1.25	120	60	7

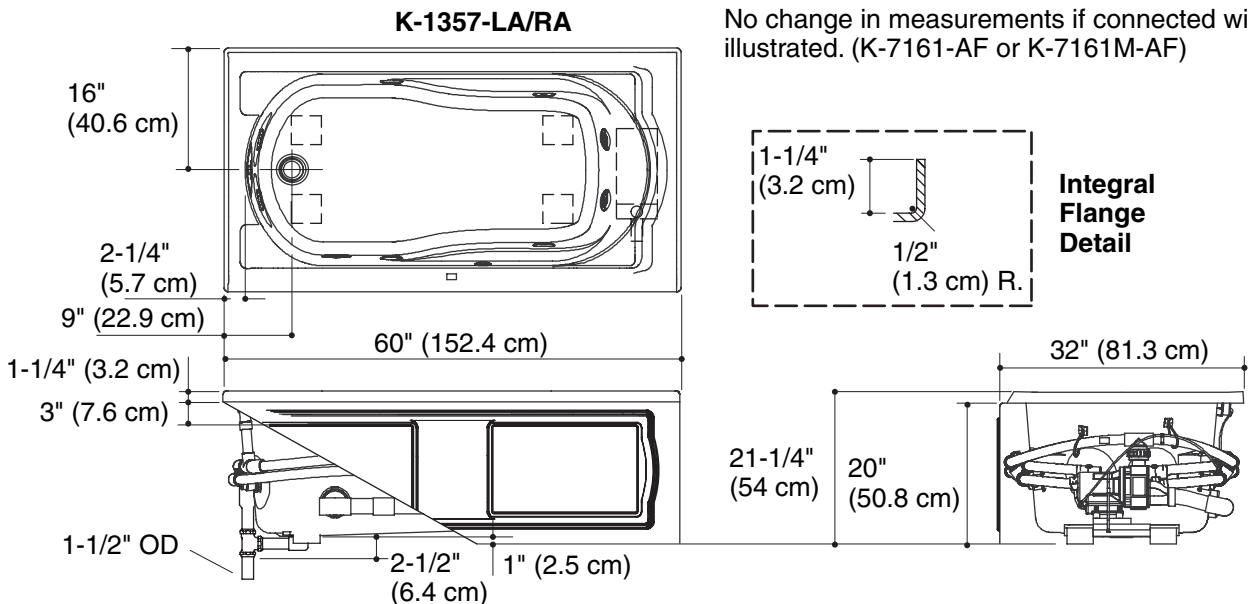
Required Electrical Service

Dedicated circuit required, protected with Class A Ground-Fault Circuit-Interrupter (GFCI):	
Pump/control	120 V, 15 A, 60 Hz

Installation Notes

Install this product according to the installation guide.

Floor support under whirlpool must provide for a minimum of 48 lbs/square foot (266 kg/square meter) loading.



Product Diagram